



Instantor[®]



KITCHEN
COLLECTION

ST JAMES
LIVING

EIRLINE[®]

sanindusa[®]

CONTENTS

Kitchen Taps

ELI _____	6	INGO _____	17	BRANDON _____	28
DEGA _____	7	ODA _____	18	SIENNA _____	28
ORKA _____	8	ALMA _____	19	SOFIA _____	29
MYSA _____	9	ELSA _____	20	GABI _____	29
FIKA _____	10	EDEN _____	21	FREYA _____	29
DANA _____	11	DARCY _____	22	LUNA _____	30
VALENTINA _____	12	RAYNE _____	23	GINA _____	30
IVY _____	13	SKAI _____	24	EDITH _____	30
NOA _____	14	FELIX _____	25	JOLINE _____	31
ISAK _____	15	EFFE _____	26	ESTER _____	31
IDA _____	16	SERENA _____	28	FILTER TAP _____	31

Kitchen Sinks

CERAMIC				GRANITE	
RENO _____	35	IZZY _____	45	THEA _____	56
LUSITANO _____	36	OTTO _____	46	INES _____	58
BELFAST _____	37	ARI _____	48	COMPOSITE	
UNDERMOUNTS _____	38	NYLA _____	49	EMA _____	61
FARMHOUSE _____	40	HUGO _____	50	ANA _____	62
STAINLESS STEEL		NOVA _____	51	NORI _____	63
TUVA _____	42	EIRLINE _____	52	PVD	
KAYA _____	43	KARINA _____	54	MILO _____	65
LEO _____	44			MILO BELFAST _____	66

WASTEKITS +
ACCESSORIES _____ 68

WASTEMASTER _____ 70

BATHROOM TAPS _____ 74

GENERAL
INFORMATION +
WARRANTY _____ 76



www.instantor.ie

ST JAMES
LIVING

EIRLINE

sanindusa

TAPS



Precision in Every Detail

DESIGNED TO FLOW BEAUTIFULLY

Combining timeless styling with assured performance, this curated kitchen tap collection is designed to complement both contemporary and traditional spaces. From clean architectural forms to softer, more classic silhouettes, each piece brings balance and refinement to the heart of the home.

Meticulous attention to detail and advanced engineering ensure smooth operation, lasting durability and effortless maintenance.

With a carefully considered selection of finishes and styles, the collection offers versatile solutions designed to perform beautifully for years to come.

ELI

The Eli tap is highly desirable, it stands tall and strong combining reliable performance with timeless style.

The single lever allows perfect control of temperature and flow, paired with the sleek round swivel spout, this tap will bring a truly modern feel to any kitchen.

TECHNICAL INFORMATION

Minimum Pressure	0.2 Bar
Overall Height	390mm
Spout Exit Reach	203mm

FINISH	CODE
● Chrome	5007CM
● Black	5007B
● Brushed Chrome	5007BF
● Brushed Brass	5007BB
● Copper	5007BC
● Gunmetal Grey	5007GG
● Polished Brass	5007PB



Chrome
5007CM

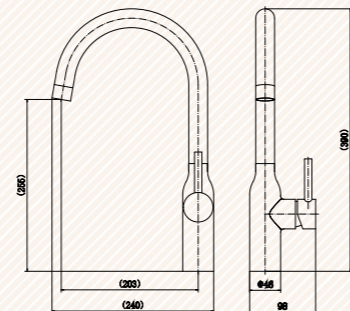


Black
5007B



Brushed Chrome
5007BF

**QUICK
INSTALLATION**



Brushed Brass
5007BB



Copper
5007BC



Gunmetal Grey
5007GG



Polished Brass
5007PB

DEGA



The DEGA's square body and spout radiates stylish minimalism.

The angular design adds a touch of geometric interest while the slim single lever contributes to its streamlined appearance. Available in four finishes allowing it to fit seamlessly into various kitchen styles and colour schemes.



Chrome
5018CM



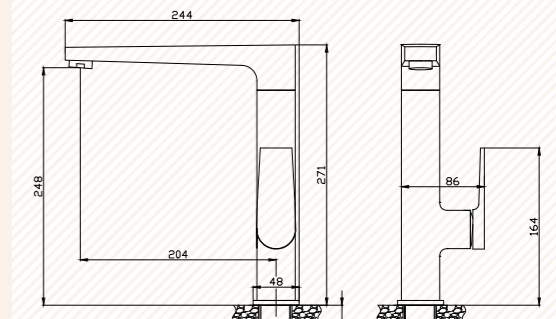
Black
5018B



Gunmetal Grey
5018GG



Brushed Chrome
5018BF



TECHNICAL INFORMATION

Minimum Pressure	0.5 Bar
Overall Height	271mm
Spout Exit Reach	204mm

FINISH	CODE
● Chrome	5018CM
● Black	5018B
● Gunmetal Grey	5018GG
● Brushed Chrome	5018BF

The ORKA tap is a sleek and modern addition to any kitchen.

The slim, soft square spout and body contribute to its contemporary aesthetic, adding a touch of elegance to the space.

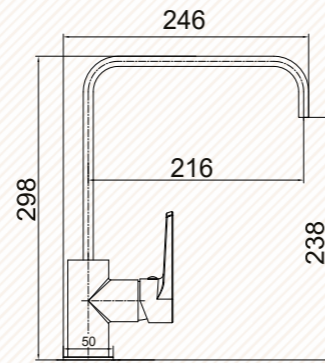
It can complement various styles, from minimalist to more avant-garde, making it a versatile choice for any home, available in 3 finishes, the ORKA tap combines both form and function beautifully.

TECHNICAL INFORMATION

Minimum Pressure	0.5 Bar
Overall Height	298mm
Spout Exit Reach	216mm

FINISH

FINISH	CODE
● Chrome	5015CM
● Black	5015B
● Brushed Chrome	5015BF



ORKA

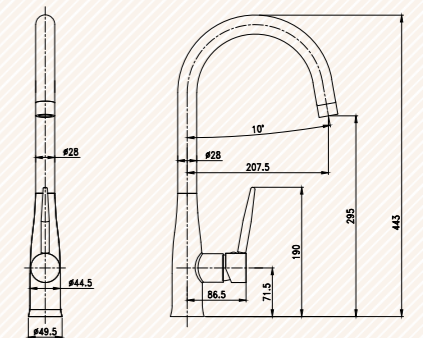
MYSA



The MYSA's tap design is truly cutting-edge.

With its seamless body and spout, coupled with the distinctive pin-style single lever, it not only boasts a stylish look but also provides practical advantages such as enhanced hygiene and reduced dirt build up.

Its easy clean design also provides the perfect balance of functionality and aesthetic appeal.



TECHNICAL INFORMATION

Minimum Pressure	0.5 Bar
Overall Height	443mm
Spout Exit Reach	207.5mm

FINISH

FINISH	CODE
● Chrome	5016CM
● Black	5016B
● Brushed Chrome	5016BF

FIKA

The FIKA tap is a stylish addition to any kitchen with its unique design featuring a soft square body and a swan neck spout.

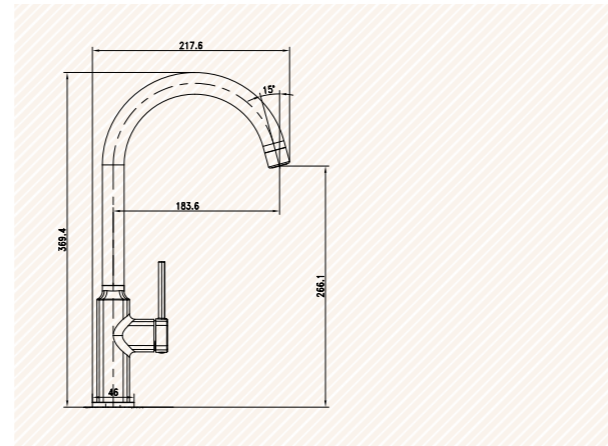
Available in 4 different finishes including the newest addition of Pewter, this option subtly offers an industrial touch, providing a distinctive aesthetic that can complement modern kitchen decor.

Its blend of contemporary design elements and industrial appeal could make it a standout feature in any kitchen setting.

TECHNICAL INFORMATION

Minimum Pressure	0.2 Bar
Overall Height	369.4mm
Spout Exit Reach	183.6mm

FINISH	CODE
● Chrome	5014CM
● Black	5014B
● Brushed Chrome	5014BF
● Pewter	5014P



The DANA is sleek and functional, the swan spout and single lever design offer a modern aesthetic and versatility making it a great fit for any kitchen style.

Available in 3 on-trend colour finishes to suit a wide range of kitchen sinks.

TECHNICAL INFORMATION

Minimum Pressure	0.2 Bar
Overall Height	379mm
Spout Exit Reach	207.5mm

FINISH	CODE
● Chrome	5013CM
● Black	5013B
● Brushed Chrome	5013BF

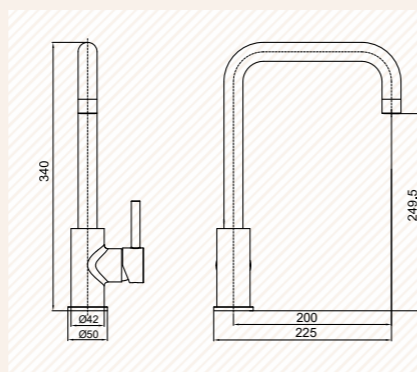


DANA

VALENTINA



The VALENTINA features a modern square spout and a single pin lever delivering an 'on trend' and contemporary feel.



TECHNICAL INFORMATION

Minimum Pressure 0.2 Bar
Overall Height 340mm
Spout Exit Reach 200mm

FINISH	CODE
● Chrome	580381
● Black	580381B
● Brushed Chrome	580381BF

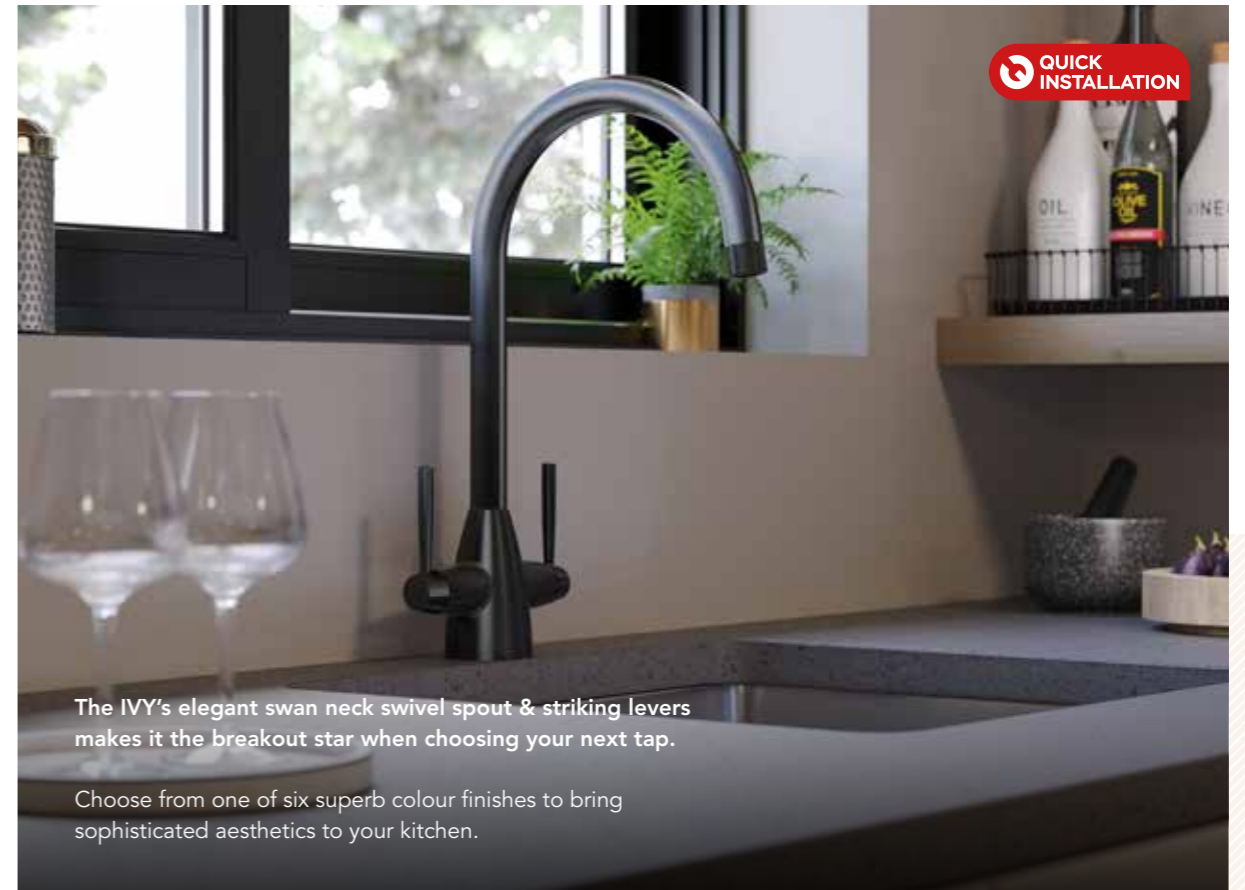


Chrome
580381

Black
580381B

Brushed Chrome
580381BF

IVY



The IVY's elegant swan neck swivel spout & striking levers makes it the breakout star when choosing your next tap.

Choose from one of six superb colour finishes to bring sophisticated aesthetics to your kitchen.



Chrome
5005CM

Black
5005B

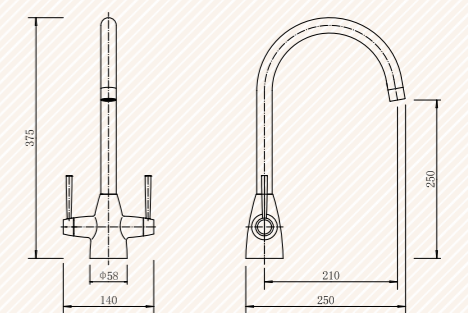
Brushed Chrome
5005BF



Brushed Brass
5005BB

Copper
5005BC

Polished Brass
5005PB



TECHNICAL INFORMATION

Minimum Pressure 0.2 Bar
Overall Height 375mm
Spout Exit Reach 210mm

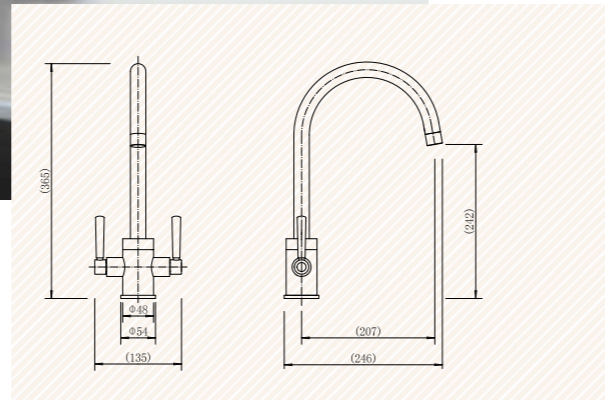
FINISH	CODE
● Chrome	5005CM
● Black	5005B
● Brushed Chrome	5005BF
● Brushed Brass	5005BB
● Copper	5005BC
● Polished Brass	5005PB

NOA



The NOA twin lever tap is a firm favourite for creating a focal point in a kitchen.

The graceful swan neck swivel spout, rounded pillar base & choice of seven colour finishes will accentuate the tap in any kitchen setting.



TECHNICAL INFORMATION

Minimum Pressure	0.2 Bar
Overall Height	362mm
Spout Exit Reach	208mm

FINISH	CODE
● Chrome	5006CM
● Black	5006B
● Brushed Chrome	5006BF
● Brushed Brass	5006BB
● Copper	5006BC
● Gunmetal Grey	5006GG
● Polished Brass	5006PB



Chrome
5006CM



Black
5006B



Brushed Chrome
5006BF



Brushed Brass
5006BB



Copper
5006BC



Gunmetal Grey
5006GG



Polished Brass
5006PB

Traditional meets modern. The ISAK tap combines the classic style cross head handles with a sleek and modern swivel spout that creates a more square appearance.

Available in five finishes that will suit both traditional and contemporary style kitchens.

TECHNICAL INFORMATION

Minimum Pressure	0.2 Bar
Overall Height	326mm
Spout Exit Reach	200mm

FINISH	CODE
● Chrome	5012CM
● Black	5012B
● Brushed Chrome	5012BF
● Brushed Brass	5012BB
● Gunmetal Grey	5012GG



Chrome
5012CM



Black
5012B



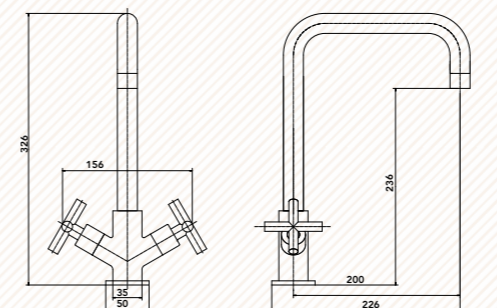
Brushed Chrome
5012BF



Brushed Brass
5012BB



Gunmetal Grey
5012GG



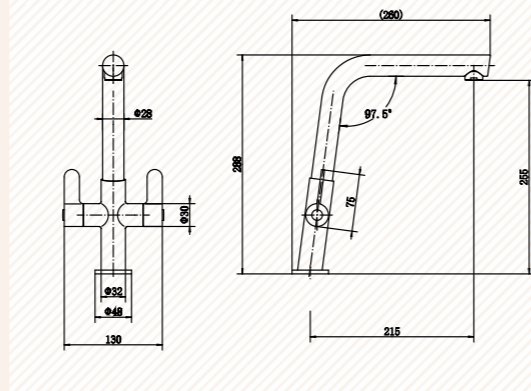
ISAK

IDA



Make a statement in any modern or contemporary kitchen with the striking IDA tap.

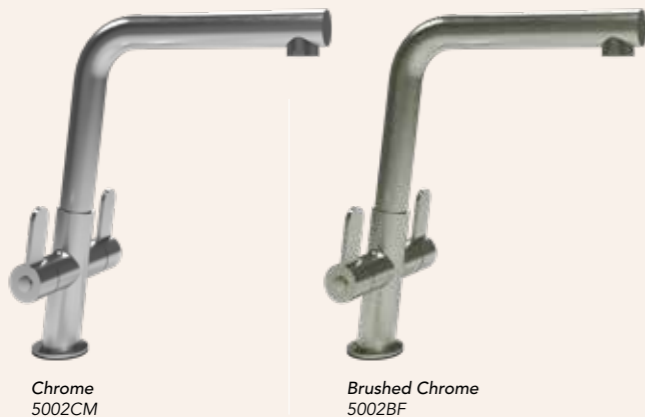
Style and personality characterise this unique tap design, ideal for a finishing touch with a refined taste.



TECHNICAL INFORMATION

Minimum Pressure	0.2 Bar
Overall Height	288mm
Spout Exit Reach	215mm

FINISH	CODE
● Chrome	5002CM
● Brushed Chrome	5002BF



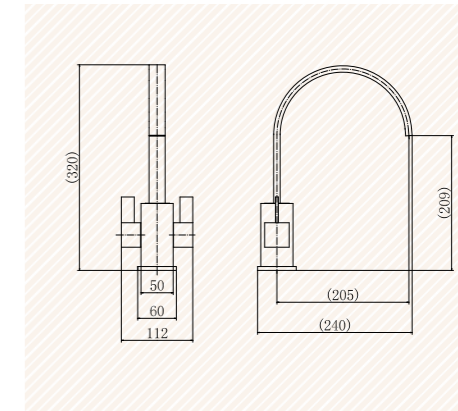
Up the wow factor with clean lines and a square design, the INGO is a contemporary tap which will pair well with most sinks.

The square levers and base blend seamlessly with the slim swivel spout, available in two colour finishes.

TECHNICAL INFORMATION

Minimum Pressure	0.2 Bar
Overall Height	320mm
Spout Exit Reach	205mm

FINISH	CODE
● Chrome	5008CM
● Brushed Chrome	5008BF



INGO

The modern angular design of the ODA tap makes it a unique one.

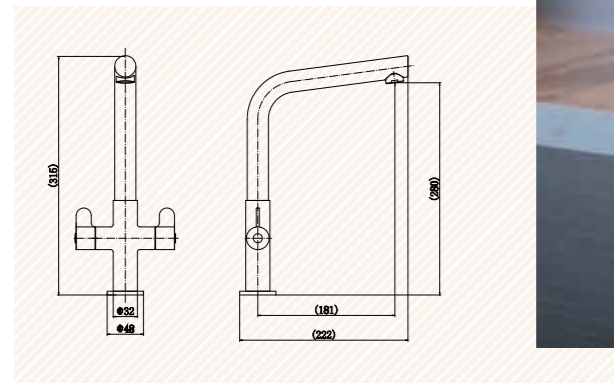
The simplicity of the paddle style levers and the tall neck design makes it a perfect choice for a practical yet central feature of any kitchen. Choose from six exquisite colour finishes.

TECHNICAL INFORMATION

Minimum Pressure	0.2 Bar
Overall Height	315mm
Spout Exit Reach	181mm

FINISH

FINISH	CODE
● Chrome	5001CM
● Black	5001B
● Brushed Chrome	5001BF
● Brushed Brass	5001BB
● Copper	5001BC
● Gunmetal Grey	5001GG



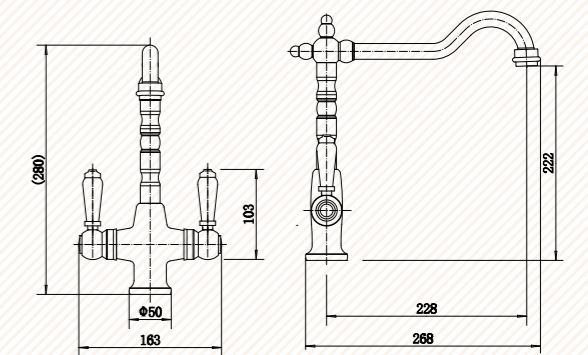
ODA

ALMA



An extravagant and beautifully designed classic tap with modern functionality.

Offering a choice of Brushed Brass, Polished Brass, Chrome & Brushed Chrome finishes, it is the perfect addition to compliment ceramic & composite sinks for a more traditional styled kitchen.



TECHNICAL INFORMATION

Minimum Pressure	0.2 Bar
Overall Height	280mm
Spout Exit Reach	228mm

FINISH

FINISH	CODE
● Chrome	5003CM
● Brushed Chrome	5003BF
● Brushed Brass	5003BB
● Polished Brass	5003PB

ELSA

The smart and classic design of the ELSA tap will make this the centrepiece of your kitchen.

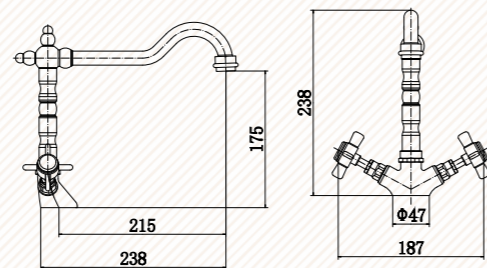
With four different colour finishes to choose from, you will have a tap that will perfectly blend with ceramic sinks or a more traditional style kitchen.



Chrome
5009CM



Brushed Brass
5009BB



Copper
5009BC



Polished Brass
5009PB

TECHNICAL INFORMATION

Minimum Pressure	0.2 Bar
Overall Height	238mm
Spout Exit Reach	215mm

FINISH

FINISH	CODE
● Chrome	5009CM
● Brushed Brass	5009BB
● Copper	5009BC
● Polished Brass	5009PB

Enhance a traditional kitchen with the stylish Victorian swan neck tap.

While classic in style, the EDEN remains modern in performance. With a swan neck swivel spout and timeless ceramic white handles it is easy to see why this is a popular favourite.

TECHNICAL INFORMATION

Minimum Pressure	0.2 Bar
Overall Height	375mm
Spout Exit Reach	207mm

FINISH

FINISH	CODE
● Chrome	5004CM
● Brushed Chrome	5004BF
● Polished Brass	5004PB



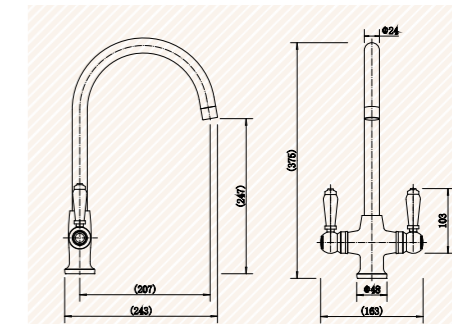
Chrome
5004CM



Brushed Chrome
5004BF



Polished Brass
5004PB



EDEN

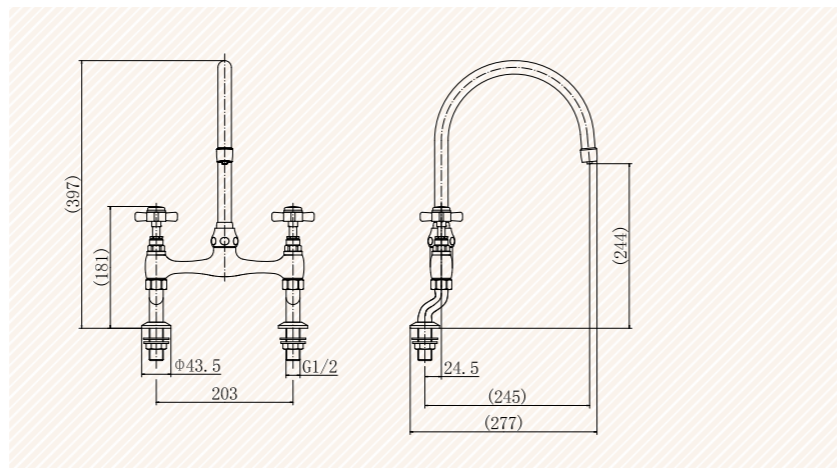
Add a touch of grandeur to the kitchen with the DARCY tap.

The decorative renderings give it a turn-of-the-century feel.

TECHNICAL INFORMATION

Minimum Pressure	0.2 Bar
Overall Height	397mm
Spout Exit Reach	245mm

FINISH	CODE
● Chrome	580316



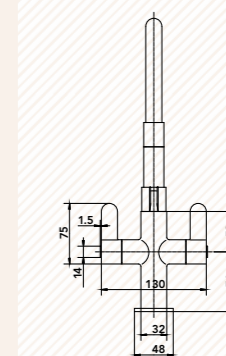
DARCY

RAYNE



The Rayne tap features a pull out flexible hose that gives you more control and makes washing and rinsing a breeze.

Choose the black finish for a sleek and stylish look or a chrome finish that will compliment many features of a modern kitchen.



Chrome
5010CM



Black
5010B

TECHNICAL INFORMATION

Minimum Pressure	1.0 Bar
Overall Height	438mm
Spout Exit Reach	230mm

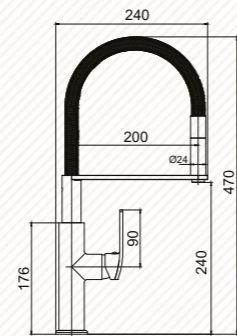
FINISH	CODE
● Chrome	5010CM
● Black	5010B

SKAI



The SKAI tap features a thoughtfully designed flexible hose spout, this distinguished feature is particularly beneficial for reaching difficult areas in the sink, such as corners or large pots and pans.

This flexibility provides convenient and efficient operation, combining practicality with elegant design to offer a versatile and stylish addition to any modern kitchen space.



TECHNICAL INFORMATION

Minimum Pressure	1.0 Bar
Overall Height	470mm
Spout Exit Reach	200mm

FINISH CODE

● Chrome	5017CM
● Black	5017B
● Brushed Chrome	5017BF



Chrome
5017CM



Black
5017B



Brushed Chrome
5017BF

The FELIX tap is the number one choice when it comes to professionalism in the kitchen. The pull out spout and flexible hose makes it convenient for daily use and reaching any area of the sink.

However, the practical functionality does not take away from the timeless design of the tap, with colours available in Chrome, Brushed Chrome & Black, there is an option to suit any home decor.

TECHNICAL INFORMATION

Minimum Pressure	1.0 Bar
Overall Height	535mm
Spout Exit Reach	232mm

FINISH CODE

● Chrome	5011CM
● Black	5011B
● Brushed Chrome	5011BF



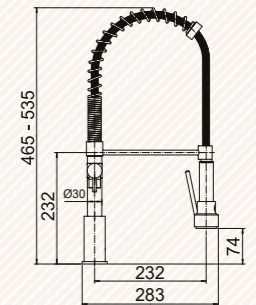
Chrome
5011CM



Black
5011B



Brushed Chrome
5011BF



FELIX

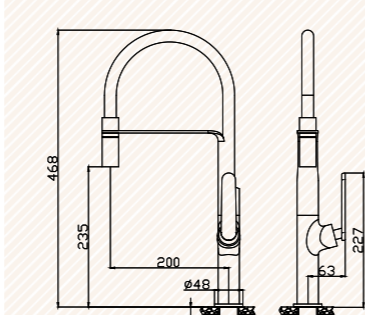
EFFE



The EFFE is one of the highlights in our collection.

The spout is made from a black flexible silicone hose that sits neatly into an arm for normal use but is removable and incredibly practical for reaching tricky spots in sinks, making cleaning a breeze.

Available in 4 finishes, this innovative and functional tap is designed to suit every taste and décor.



Chrome 5019CM Black 5019B Brushed Chrome 5019BF Gunmetal Grey 5019GG

TECHNICAL INFORMATION

Minimum Pressure	1.0 Bar
Overall Height	468mm
Spout Exit Reach	200mm

FINISH	CODE
● Chrome	5019CM
● Black	5019B
● Brushed Chrome	5019BF
● Gunmetal Grey	5019GG



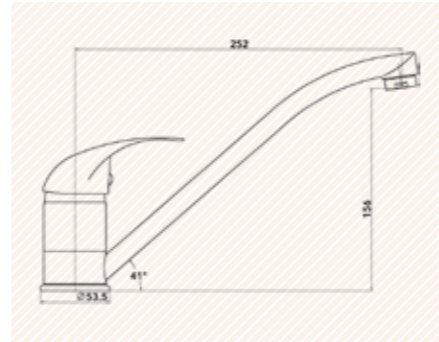


SERENA

TECHNICAL INFORMATION

Minimum Pressure	0.2 Bar
Overall Height	184mm
Spout Exit Reach	252mm

FINISH	CODE
● Chrome	580306

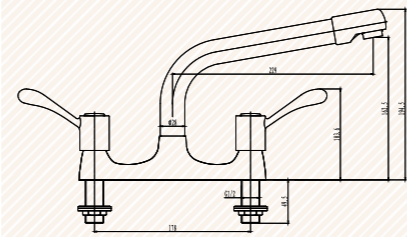


SIENNA

TECHNICAL INFORMATION

Minimum Pressure	0.2 Bar
Overall Height	195mm
Spout Exit Reach	229mm

FINISH	CODE
● Chrome	598054

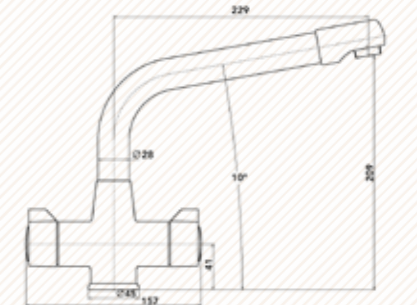


SOFIA

TECHNICAL INFORMATION

Minimum Pressure	0.2 Bar
Overall Height	242mm
Spout Exit Reach	229mm

FINISH	CODE
● Chrome	580314

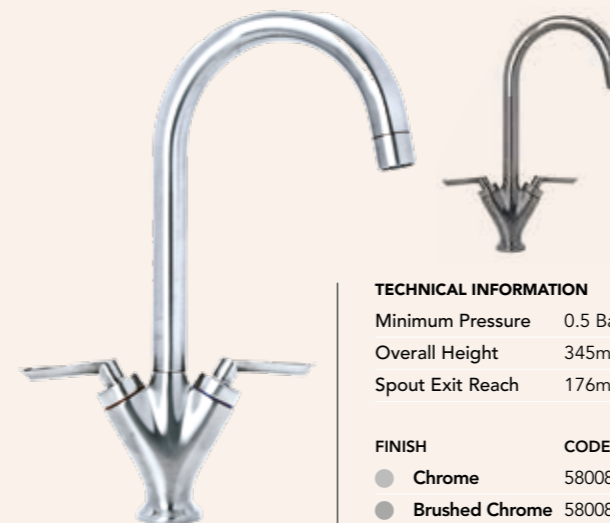
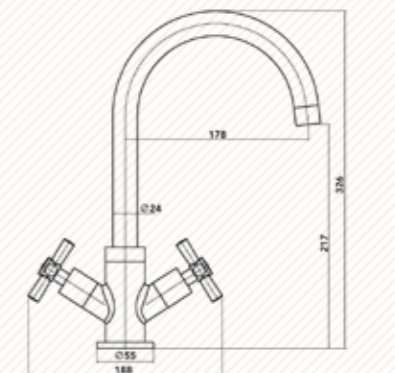


GABI

TECHNICAL INFORMATION

Minimum Pressure	0.2 Bar
Overall Height	326mm
Spout Exit Reach	178mm

FINISH	CODE
● Chrome	580077

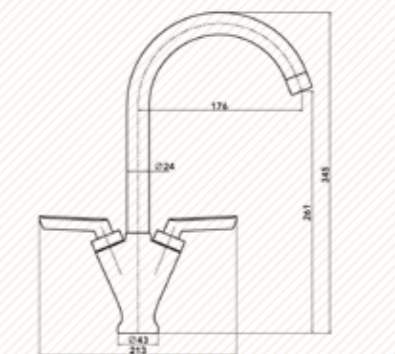


FREYA

TECHNICAL INFORMATION

Minimum Pressure	0.5 Bar
Overall Height	345mm
Spout Exit Reach	176mm

FINISH	CODE
● Chrome	580084
● Brushed Chrome	580083





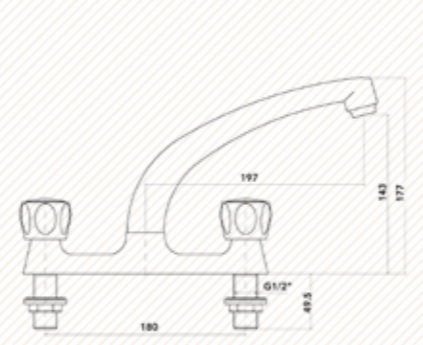
LUNA


TECHNICAL INFORMATION

Minimum Pressure	0.2 Bar
Overall Height	177mm
Spout Exit Reach	197mm

FINISH **CODE**

● Chrome	580006
----------	--------





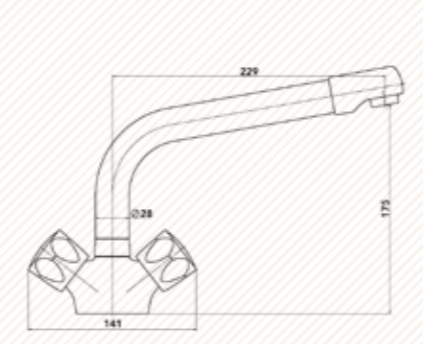
GINA


TECHNICAL INFORMATION

Minimum Pressure	0.2 Bar
Overall Height	207mm
Spout Exit Reach	229mm

FINISH **CODE**

● Chrome	580333
----------	--------





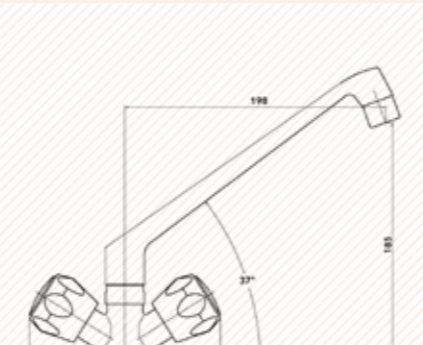
EDITH

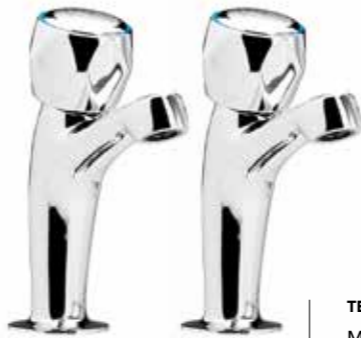
TECHNICAL INFORMATION

Minimum Pressure	0.2 Bar
Overall Height	228mm
Spout Exit Reach	198mm

FINISH **CODE**

● Chrome	580020
----------	--------





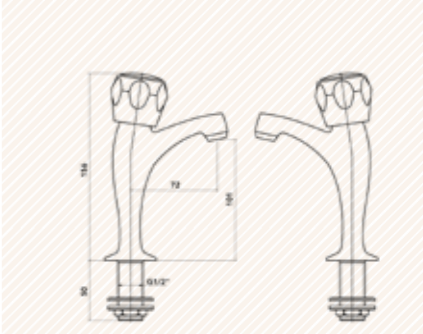
JOLINE


TECHNICAL INFORMATION

Minimum Pressure	0.2 Bar
Overall Height	156mm
Spout Exit Reach	72mm

FINISH **CODE**

● Chrome	580003
----------	--------





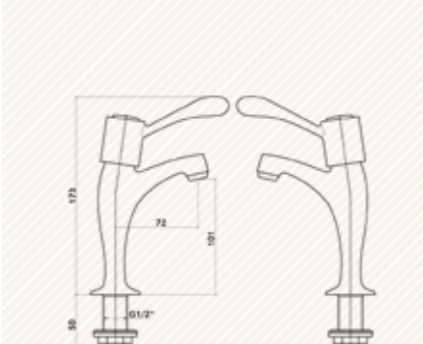
ESTER

TECHNICAL INFORMATION

Minimum Pressure	0.2 Bar
Overall Height	173mm
Spout Exit Reach	72mm

FINISH **CODE**

● Chrome	598053
----------	--------





FILTER TAP

TECHNICAL INFORMATION

Minimum Pressure	0.2 Bar
Overall Height	240mm
Spout Exit Reach	120mm

FINISH **CODE**

● Chrome	710516
----------	--------



SINKS



Strength, Styled for the Kitchen

ENDURING BY DESIGN

Thoughtfully engineered and beautifully finished, these sinks combine timeless aesthetics with exceptional durability. Their seamless construction and refined texture bring depth and character to the kitchen, while a versatile selection of styles ensures effortless integration into both contemporary and classic spaces.

Designed for modern living, they offer reassuring heat resistance, impressive scratch and impact protection, and a surface that remains easy to maintain over time. Hygienic, resilient and made to withstand the demands of everyday use, they deliver long-lasting performance without compromising on style.

ST JAMES
LIVING

EIRLINE

sanindusa®

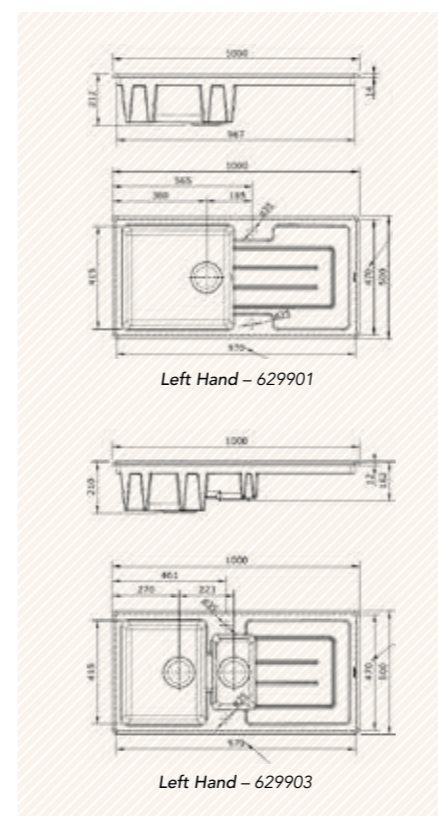


CERAMIC
KITCHEN SINKS

RENO



RENO 1.5 Bowl
Right Hand - 629904



Single Bowl

GENERAL INFORMATION

Overall Size	1000 x 500mm
Main Bowl Size (L x W x D)	449 x 415 x 190mm
Second Bowl Size	N/A
Min. Base Unit	600mm
Material	White Ceramic

Code	629901
Drainer	Left Hand

Code	629902
Drainer	Right Hand



Left Hand
629901

1.5 Bowl

GENERAL INFORMATION

Overall Size	1000 x 500mm
Main Bowl Size (L x W x D)	340 x 415 x 190mm
Second Bowl Size	170 x 315 x 142mm
Min. Base Unit	600mm
Material	White Ceramic

Code	629903
Drainer	Left Hand

Code	629904
Drainer	Right Hand

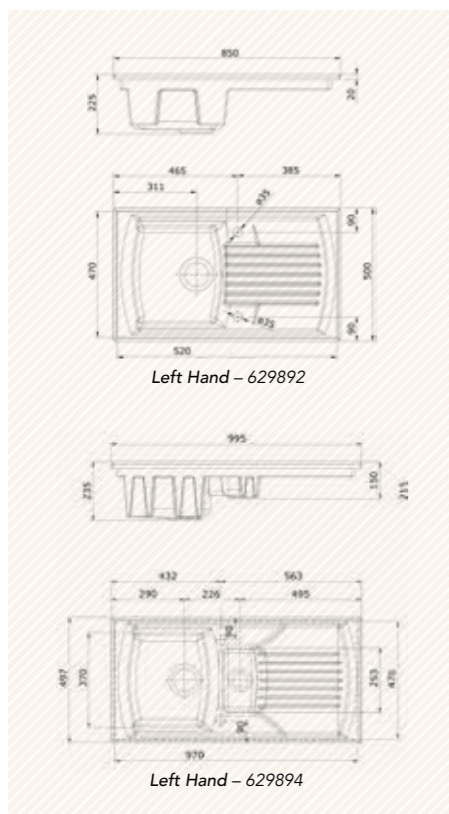


Left Hand
629903

LUSITANO



LUSITANO 1.5 Bowl
Left Hand – 629894



Single Bowl

GENERAL INFORMATION

Overall Size	860 x 500mm
Main Bowl Size (L x W x D)	340 x 370 x 200mm
Second Bowl Size	N/A
Min. Base Unit	500mm
Material	White Ceramic

Code	629892
Drainer	Left Hand

Code	629893
Drainer	Right Hand



Left Hand
629893

1.5 Bowl

GENERAL INFORMATION

Overall Size	995 x 497mm
Main Bowl Size (L x W x D)	330 x 370 x 218mm
Second Bowl Size	135 x 253 x 128mm
Min. Base Unit	600mm
Material	White Ceramic

Code	629894
Drainer	Left Hand

Code	629895
Drainer	Right Hand

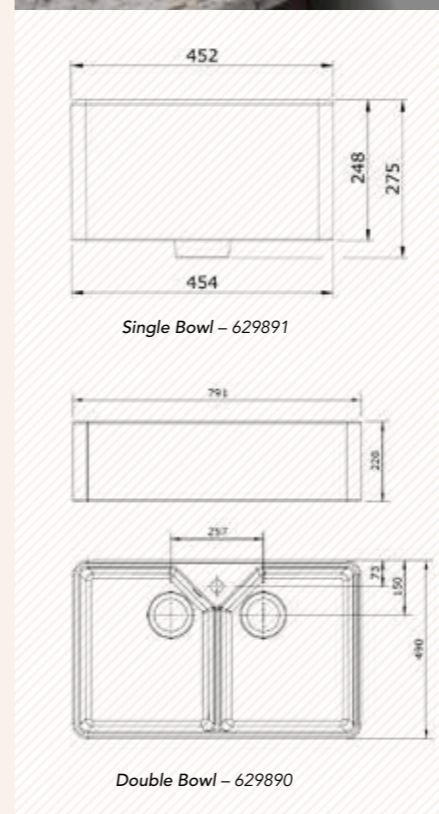


Left Hand
629894

BELFAST



BELFAST
Double Bowl – 629890



Single Bowl

GENERAL INFORMATION

Overall Size	595 x 455mm
Main Bowl Size (L x W x D)	535 x 394 x 222mm
Second Bowl Size	N/A
Min. Base Unit	600mm
Material	White Ceramic

Code	629891
Drainer	-



Single Bowl
629891

Double Bowl

GENERAL INFORMATION

Overall Size	790 x 490mm
Main Bowl Size (L x W x D)	365 x 450 x 195mm
Second Bowl Size	365 x 450 x 195mm
Min. Base Unit	800mm
Material	White Ceramic

Code - Left Hand	629890
Drainer	-

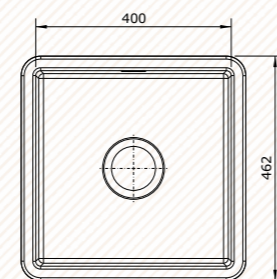
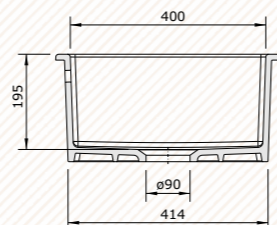


Double Bowl
629890

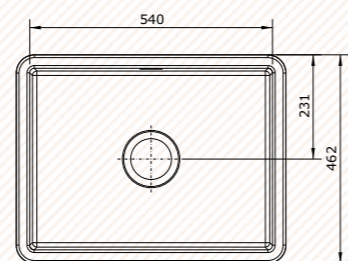
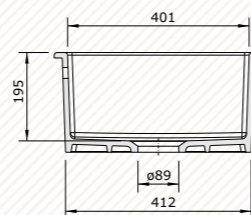
UNDERMOUNTS



UNDERMOUNTS
Square - 629896



Square Undermount
629896



Large Undermount
629898

Square Undermount

GENERAL INFORMATION

Overall Size	460 x 460mm
Main Bowl Size (L x W x D)	400 x 400 x 195mm
Second Bowl Size	N/A
Min. Base Unit	500mm
Material	White Ceramic

Code	629896
Drainer	-

Can also be installed as an inset sink.



Square Undermount
629896

Large Undermount

GENERAL INFORMATION

Overall Size	600 x 460mm
Main Bowl Size (L x W x D)	540 x 400 x 195mm
Second Bowl Size	N/A
Min. Base Unit	650mm
Material	White Ceramic

Code	629898
Drainer	-



Large Undermount
629898

1 1/3 Bowl Undermount

GENERAL INFORMATION

Overall Size	600 x 522mm
Main Bowl Size (L x W x D)	356 x 460 x 195mm
Second Bowl Size	164 x 300 x 175mm
Min. Base Unit	650mm
Material	White Ceramic

Code	629900
Drainer	-

Can also be installed as an inset sink.



1 1/3 Bowl Undermount
629900

1 1/2 Bowl Undermount

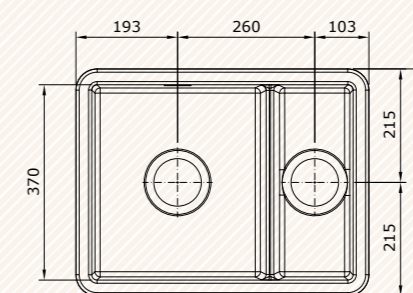
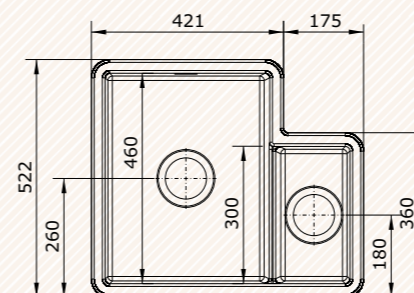
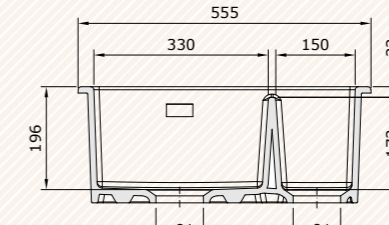
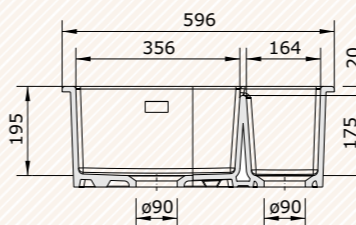
GENERAL INFORMATION

Overall Size	595 x 460mm
Main Bowl Size (L x W x D)	330 x 370 x 196mm
Second Bowl Size	150 x 370 x 196mm
Min. Base Unit	650mm
Material	White Ceramic

Code	629899
Drainer	-



1 1/2 Bowl Undermount
629899



1 1/3 Bowl Undermount
629900

1 1/2 Bowl Undermount
629899



FARMHOUSE
1 1/3 Bowl Undermount - 629900



FARMHOUSE
1 1/2 Bowl Undermount - 629899

UNDERMOUNTS

FARMHOUSE



FARMHOUSE
Butler Sink – 629889

Butler Sink

GENERAL INFORMATION

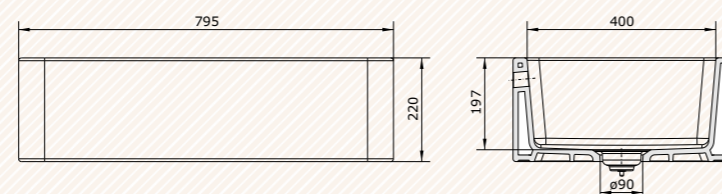
Overall Size	795 x 460mm
Main Bowl Size (L x W x D)	735 x 400 x 197mm
Second Bowl Size	N/A
Min. Base Unit	800mm
Material	White Ceramic
Code	629889
Drainer	-



Butler Sink
629889



FARMHOUSE
Butler Sink – 629889



Farmhouse Butler Sink
629889

STAINLESS STEEL KITCHEN SINKS



TUVA

The TUVA range is thoughtfully crafted and exudes sophistication.

The recessed smooth slanted drainer ensures efficient water drainage which promotes cleanliness and adds a practical element.

Available in single bowl, 1.5 bowl and 1.75 bowl options in both left and right-hand variants.

- SUS304 Stainless Steel
- >1mm Gauge
- Handed Drainer
- Brushed Satin Finish
- Wastekit Included
- Inset Installation



Sink shown: TUVA 1.5 Bowl 5073R
Tap shown: EFFE Brushed Chrome 5019BF

Single Bowl - LH/RH

GENERAL INFORMATION	
Overall Size	1000 x 500mm
Main Bowl Size (L x W x D)	500 x 400 x 200mm
Second Bowl Size	N/A
Min. Base Unit	600mm
Material	Stainless Steel
Code	5072L
Drainer	Left Hand

Code	5072R
Drainer	Right Hand



1.5 Bowl - LH/RH

GENERAL INFORMATION	
Overall Size	1000 x 500mm
Main Bowl Size (L x W x D)	340 x 400 x 200mm
Second Bowl Size	180 x 400 x 130mm
Min. Base Unit	600mm
Material	Stainless Steel
Code	5073L
Drainer	Left Hand

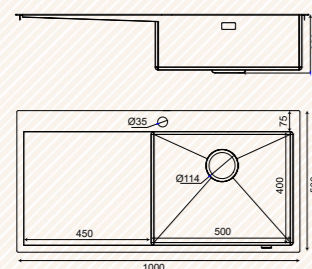
Code	5073R
Drainer	Right Hand



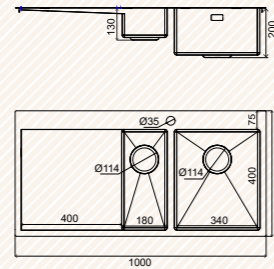
1.75 Bowl - LH/RH

GENERAL INFORMATION	
Overall Size	1160 x 500mm
Main Bowl Size (L x W x D)	400 x 400 x 200mm
Second Bowl Size	340 x 400 x 200mm
Min. Base Unit	800mm
Material	Stainless Steel
Code	5074L
Drainer	Left Hand

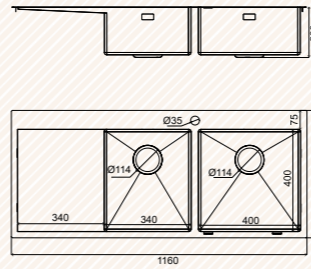
Code	5074R
Drainer	Right Hand



Single Bowl - 5072L



1.5 Bowl - 5073L



1.75 Bowl - 5074L

KAYA

The KAYA Stainless Steel range is a fantastic choice for anyone looking to combine style and functionality in their kitchen.

Crafted from high-quality SUS 304 stainless steel, a practical and hygienic material that withstands temperatures up to 280°C.

The modern square design with a 10-degree radius not only adds a sleek aesthetic but also makes cleaning easier, which is always a plus in busy kitchens.

- SUS304 Stainless Steel
- >1mm Gauge
- 10mm Radius
- Brushed Satin Finish
- Wastekit Included
- Undermount Installation

Single Bowl - Undermount

GENERAL INFORMATION	
Overall Size	490 x 440mm
Main Bowl Size (L x W x D)	450 x 400 x 200mm
Min. Base Unit	500mm
Material	Stainless Steel
Code	5064



Single Bowl - Undermount

GENERAL INFORMATION	
Overall Size	600 x 450mm
Main Bowl Size (L x W x D)	550 x 400 x 200mm
Min. Base Unit	700mm
Material	Stainless Steel
Code	5070



1.5 Bowl - Undermount

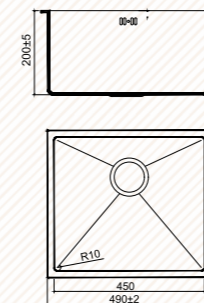
GENERAL INFORMATION	
Overall Size	590 x 440mm
Main Bowl Size (L x W x D)	340 x 400 x 200mm
Second Bowl Size	180 x 400 x 140mm
Min. Base Unit	600mm
Material	Stainless Steel
Code	5065L
Drainer	Left Hand

Code	5065R
Drainer	Right Hand

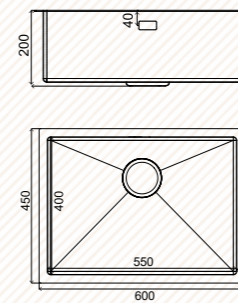


Double Bowl - Undermount

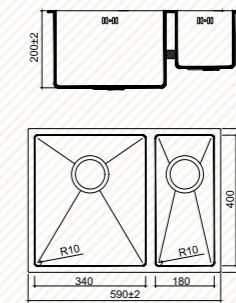
GENERAL INFORMATION	
Overall Size	790 x 440mm
Main Bowl Size (L x W x D)	360 x 400 x 200mm
Second Bowl Size	360 x 400 x 200mm
Min. Base Unit	800mm
Material	Stainless Steel
Code	5071



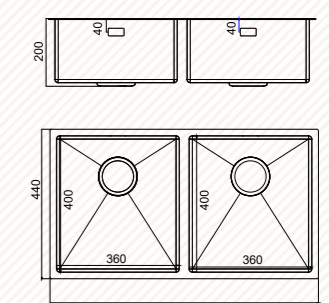
Single Bowl - Undermount - 5064



Single Bowl - Undermount - 5070



1.5 Bowl (Right Hand) - 5065R



Double Bowl - 5071

LEO



The LEO is taking the lead in professional and smart choices when it comes to kitchen sinks.

Save on counter space by utilising the accessories available for food prep and storage.

- SUS304 Stainless Steel
- 0.8mm Gauge
- Brushed Satin Finish
- Wastekit Included
- Undermount Installation

Single Bowl

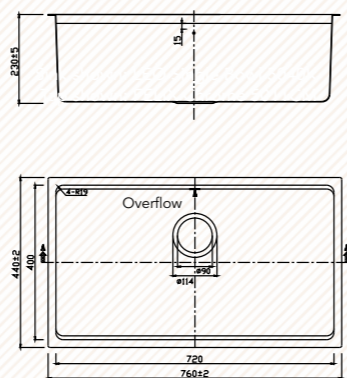
GENERAL INFORMATION

Overall Size	760 x 440mm
Main Bowl Size (L x W x D)	720 x 400 x 230mm
Min. Base Unit	800mm
Material	Stainless Steel

Code 5040K



Single Bowl 5040K



Single Bowl - 5040K

Compatible Accessorises

Stainless Steel Colander



Size 398 x 230 x 55mm
Code 5051

Rolling Mat



Size 440 x 240mm
Code 5053

Chopping Board



Size 440 x 240 x 20mm
● Sapele Code 5050
● Oak Code 5052

The IZZY provides a sleek & modern look, the sink blends seamlessly with the counter top due to its slim design.

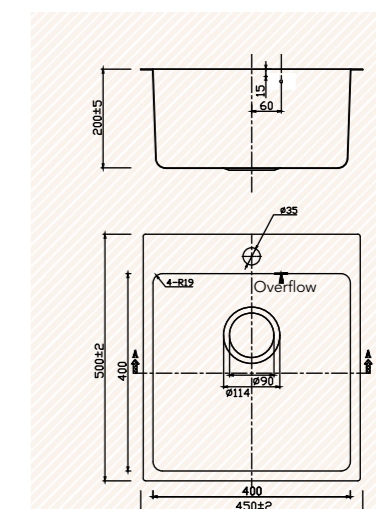
- SUS304 Stainless Steel
- 0.8mm Gauge
- Brushed Satin Finish
- Wastekit Included
- Inset Installation

Single Bowl

GENERAL INFORMATION

Overall Size	450 x 500mm
Main Bowl Size (L x W x D)	400 x 400 x 200mm
Min. Base Unit	500mm
Material	Stainless Steel

Code 5034K



Single Bowl - 5034K



Sink shown: IZZY 5034K
Tap shown: ISAK Brushed Chrome 5012BF

IZZY

OTTO

The OTTO undermounts are perfectly suited to any kitchen.

Combine different bowl sizes to match your requirement perfectly. Available in left and right hand options, the bowls feature a beautiful curve design which will remain timeless forever.

- SUS304 Stainless Steel
- 0.8mm Gauge
- Brushed Satin Finish
- Wastekit Included
- Undermount Installation



Sink shown: OTTO 1.5 Bowl 5036K
Tap shown: NOA Black 5006B

45 Single Bowl

GENERAL INFORMATION

Overall Size	450 x 450mm
Main Bowl Size (L x W x D)	400 x 400 x 190mm
Min. Base Unit	450mm
Material	Stainless Steel
Code	5035K



55 Single Bowl

GENERAL INFORMATION

Overall Size	550 x 450mm
Main Bowl Size (L x W x D)	500 x 400 x 200mm
Min. Base Unit	550mm
Material	Stainless Steel
Code	5036K



1.5 Reversible

GENERAL INFORMATION

Overall Size	580 x 440mm
Main Bowl Size (L x W x D)	340 x 400 x 185mm
Second Bowl Size	170 x 300 x 120mm
Min. Base Unit	600mm
Material	Stainless Steel
Code	5037K



1.5 Bowl - Left Handed

GENERAL INFORMATION

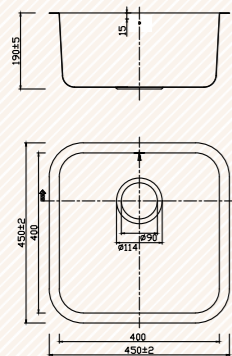
Overall Size	590 x 450mm
Main Bowl Size (L x W x D)	340 x 400 x 185mm
Second Bowl Size	170 x 300 x 120mm
Min. Base Unit	600mm
Material	Stainless Steel
Code	5038LK



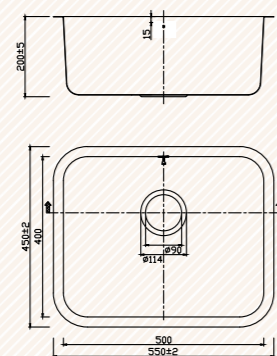
1.5 Bowl - Right Handed

GENERAL INFORMATION

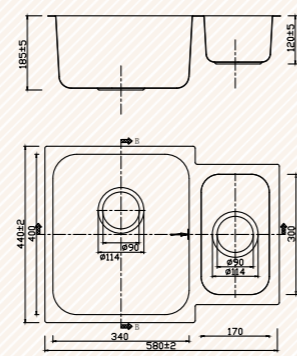
Overall Size	590 x 450mm
Main Bowl Size (L x W x D)	340 x 400 x 185mm
Second Bowl Size	170 x 300 x 120mm
Min. Base Unit	600mm
Material	Stainless Steel
Code	5038RK



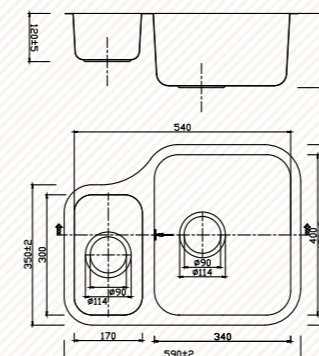
45 Single Bowl - 5035K



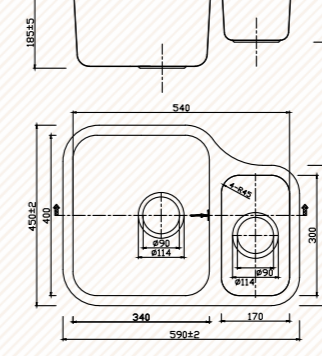
55 Single Bowl - 5036K



1.5 Reversible - 5037K

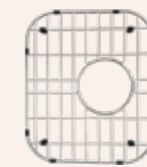


1.5 Bowl - Left Handed - 5038LK

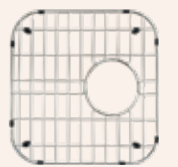


1.5 Bowl - Right Handed - 5038RK

Compatible Sink Protectors:



Small Size
370 x 310mm
Suits Products
5037, 5038L & 5038R
Code 5054



Medium Size
370 x 370mm
Suits Products
5035
Code 5055

ARI



Sink shown: ARI Round Bowl & Drainer
Tap shown: IVY Chrome 5005CM

The ARI is ideal for smaller kitchen spaces, the bowl and drainer sit flush with the counter top offering a unique minimalist design.

- Reversible Drainer
- SUS304
- Stainless Steel
- 0.6mm Gauge
- Brushed Satin Finish
- Wastekit Included
- Inset Installation

Round Bowl

GENERAL INFORMATION

Overall Size	450 x 145mm
Main Bowl Size (Diameter x Depth)	380 x 145mm
Min. Base Unit	500mm
Material	Stainless Steel
Code	610419K



Round Bowl
610419K

Round Drainer

GENERAL INFORMATION

Overall Size	450 x 45mm
Main Bowl Size (Diameter x Depth)	380 x 45mm
Min. Base Unit	500mm
Material	Stainless Steel
Code	610427K



Round Drainer
610427K



Round Bowl
610419K



Round Drainer
610427K



NYLA

Single Bowl & Reversible Drainer

GENERAL INFORMATION

Overall Size	860 x 500mm
Main Bowl Size (L x W x D)	400 x 400 x 220mm
Second Bowl Size	N/A
Min. Base Unit	500mm
Material	SUS304
Drainer	Reversible
Code	5067K

1.5 Bowl & Reversible Drainer

GENERAL INFORMATION

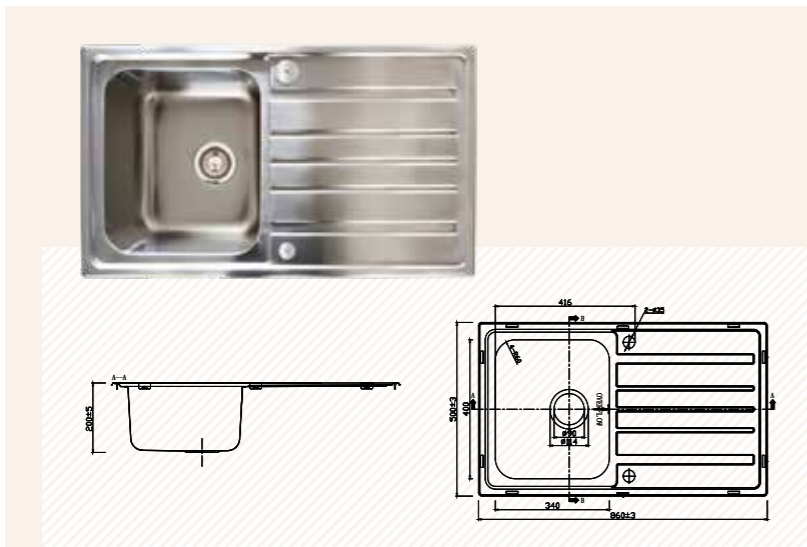
Overall Size	970 x 500mm
Main Bowl Size (L x W x D)	340 x 400 x 215mm
Second Bowl Size	170 x 300 x 155mm
Min. Base Unit	600mm
Material	SUS304
Drainer	Reversible
Code	5068K

XL Single Bowl Left Hand / Right Hand

GENERAL INFORMATION

Overall Size	970 x 500mm
Main Bowl Size (L x W x D)	450 x 400 x 220mm
Second Bowl Size	N/A
Min. Base Unit	500mm
Material	SUS304
Drainer Left Hand	Code 5069LK
Drainer Right Hand	Code 5069RK

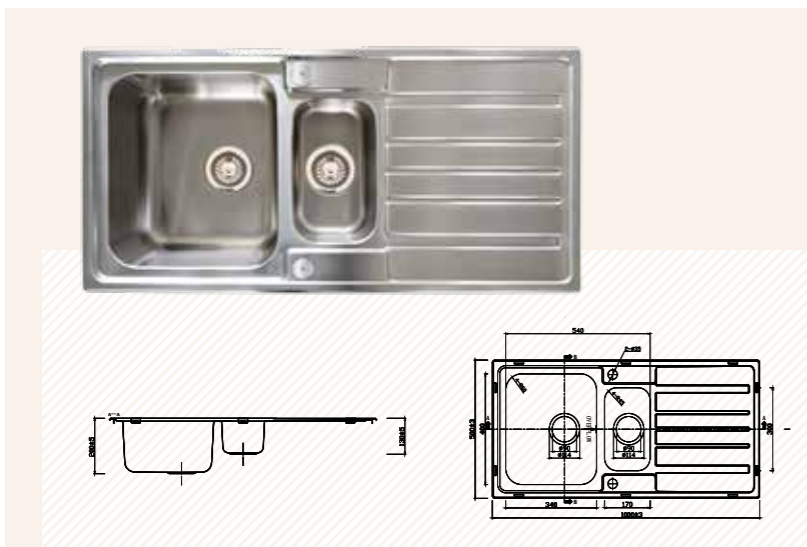
HUGO



Hugo SB

GENERAL INFORMATION

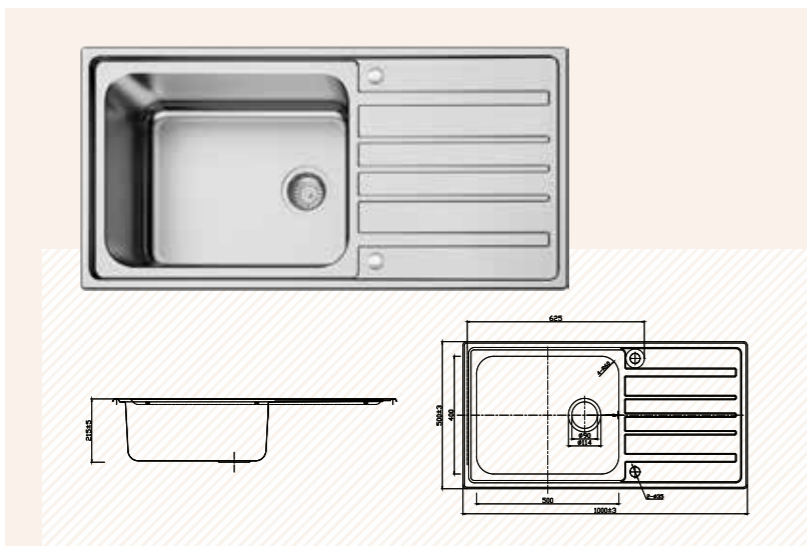
Overall Size	860 x 500mm
Main Bowl Size (L x W x D)	340 x 400 x 200mm
Second Bowl Size	N/A
Min. Base Unit	450mm
Material	SUS304
Drainer	Reversible
Code	5032K



Hugo 1.5 Bowl

GENERAL INFORMATION

Overall Size	1000 x 500mm
Main Bowl Size (L x W x D)	340 x 400 x 200mm
Second Bowl Size	170 x 300 x 160mm
Min. Base Unit	550mm
Material	SUS304
Drainer	Reversible
Code	5033K



Hugo XL Bowl

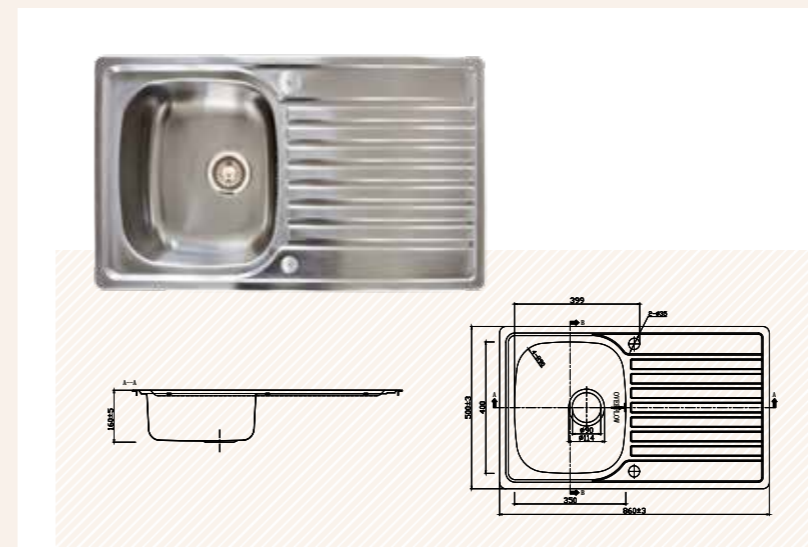
GENERAL INFORMATION

Overall Size	1000 x 500mm
Main Bowl Size (L x W x D)	500 x 400 x 215mm
Second Bowl Size	N/A
Min. Base Unit	500mm
Material	SUS304
Drainer	Reversible
Code	5039K

NOVA



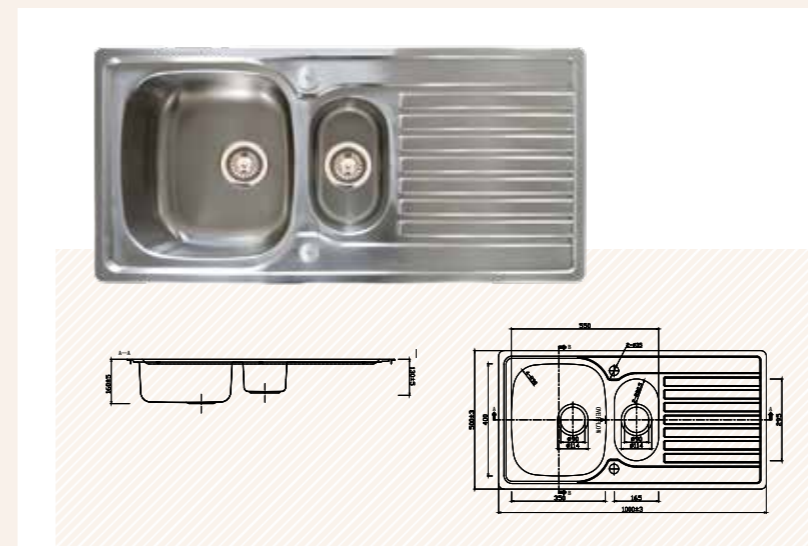
Nova SB



Nova SB

GENERAL INFORMATION

Overall Size	860 x 500mm
Main Bowl Size (L x W x D)	350 x 400 x 160mm
Second Bowl Size	N/A
Min. Base Unit	500mm
Material	SUS304
Drainer	Reversible
Code	5030K

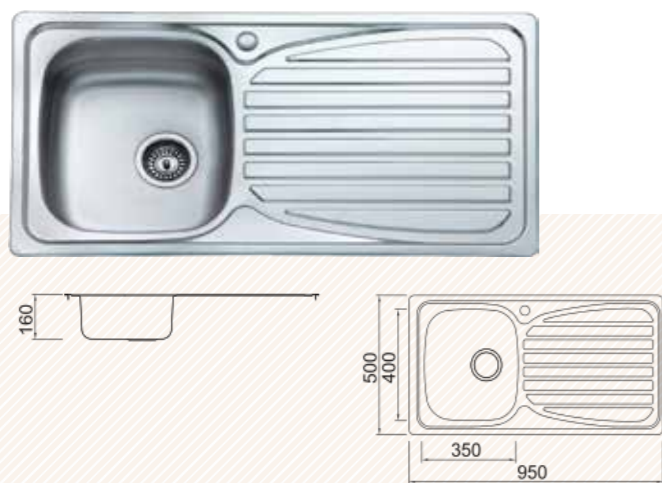


Nova 1.5 Bowl

GENERAL INFORMATION

Overall Size	1000 x 500mm
Main Bowl Size (L x W x D)	350 x 400 x 160mm
Second Bowl Size	165 x 295 x 130mm
Min. Base Unit	600mm
Material	SUS304
Drainer	Reversible
Code	5031K

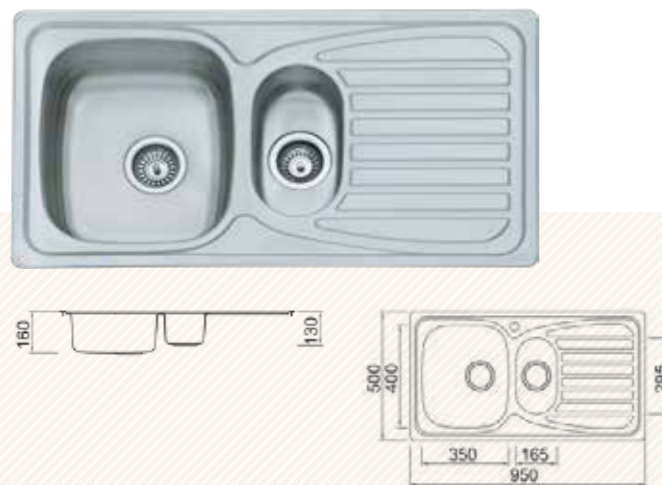
EIRLINE



Eirline Standard

GENERAL INFORMATION

Overall Size	950 x 500mm
Main Bowl Size (L x W x D)	340 x 400 x 160mm
Second Bowl Size	N/A
Min. Base Unit	450mm
Material	0.7mm S/S 304
Finish	Satin Brushed
Code	611100K

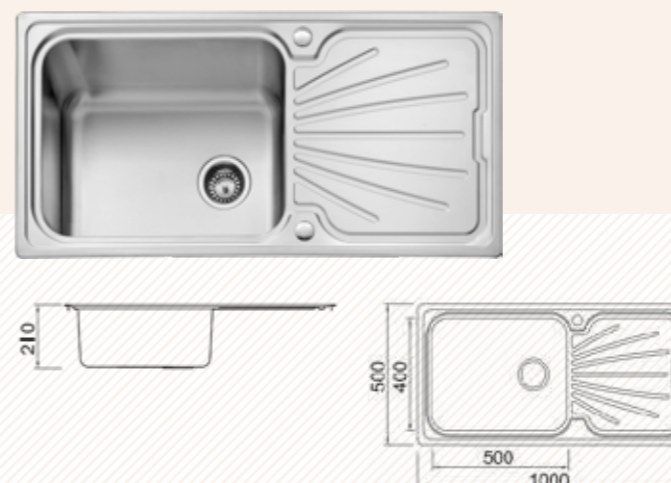


Eirline 1.5 Bowl

GENERAL INFORMATION

Overall Size	950 x 500mm
Main Bowl Size (L x W x D)	350 x 400 x 160mm
Second Bowl Size	165 x 295 x 130mm
Min. Base Unit	600mm
Material	0.7mm S/S 304
Finish	Satin Brushed
Code	611255K

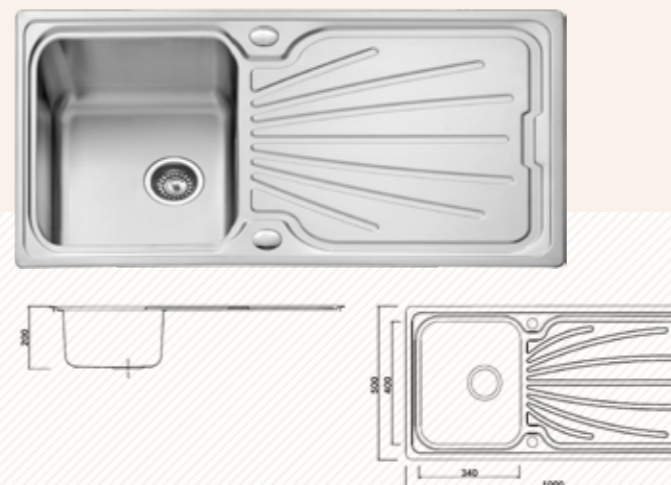
EIRLINE



Eirline XL

GENERAL INFORMATION

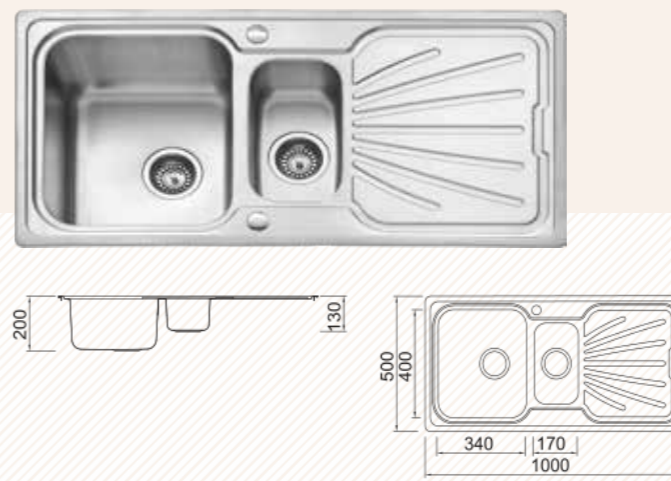
Overall Size	1000 x 500mm
Main Bowl Size (L x W x D)	500 x 400 x 210mm
Second Bowl Size	N/A
Min. Base Unit	600mm
Material	0.8mm S/S 304
Finish	Satin Brushed
Code	610423K



Eirline Standard

GENERAL INFORMATION

Overall Size	1000 x 500mm
Main Bowl Size (L x W x D)	350 x 400 x 200mm
Second Bowl Size	N/A
Min. Base Unit	450mm
Material	0.8mm S/S 304
Finish	Satin Brushed
Code	610424K

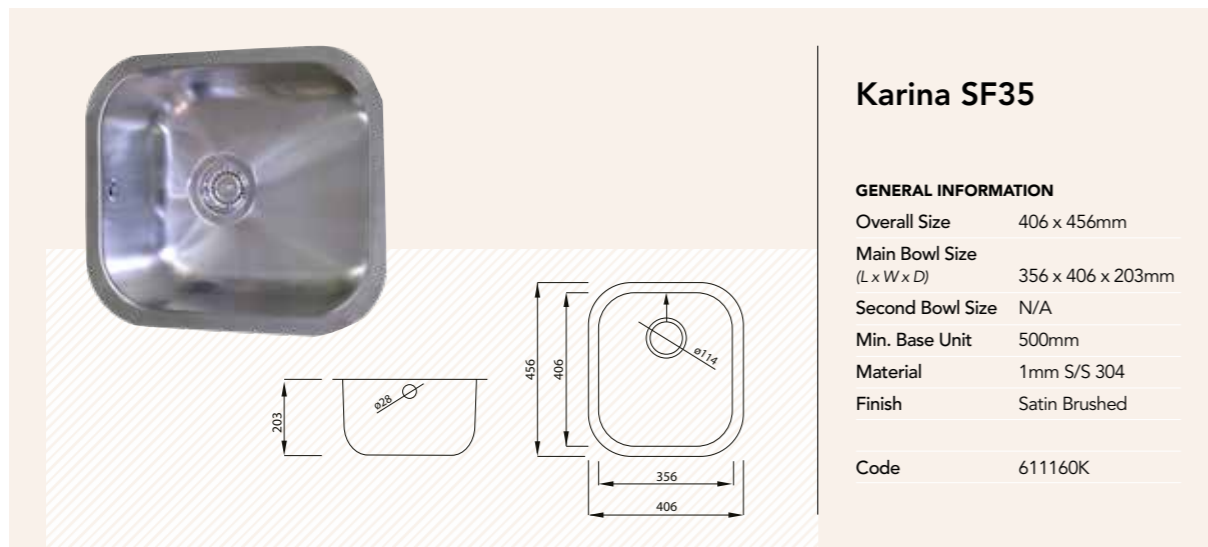


Eirline 1.5 Bowl

GENERAL INFORMATION

Overall Size	1000 x 500mm
Main Bowl Size (L x W x D)	350 x 400 x 200mm
Second Bowl Size	170 x 300 x 130mm
Min. Base Unit	600mm
Material	0.8mm S/S 304
Finish	Satin Brushed
Code	610425K

KARINA



THEA

The THEA Range, where functionality meets elegance, enhancing your kitchen experience.

Designed to seamlessly integrate into any worktop surface, the THEA range provides a sleek and versatile solution.

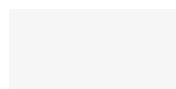
- Granite
- Inset Installation
- Wastekit Included

FINISHES AVAILABLE

Matt Black



Matt White



Matt Grey



SB Deep Drainer Accessories

Rolling Mat	Angled Holder
Code 5108MB	Code 5109MB

Compact Single Bowl

GENERAL INFORMATION

Overall Size	800 x 500mm
Main Bowl Size (L x W x D)	380 x 430 x 200mm
Second Bowl Size	N/A
Min. Base Unit	500mm
Material	Granite
Drainer	Reversible

- Matt Black 5104MB
- Matt White 5104MW
- Matt Grey 5104MG



1.5 Bowl

GENERAL INFORMATION

Overall Size	1000 x 500mm
Main Bowl Size (L x W x D)	380 x 430 x 200mm
Second Bowl Size	200 x 350 x 120mm
Min. Base Unit	600mm
Material	Granite
Drainer	Reversible

- Matt Black 5105MB
- Matt Grey 5105MG



1.75 Bowl

GENERAL INFORMATION

Overall Size	1160 x 500mm
Main Bowl Size (L x W x D)	380 x 440 x 200mm
Second Bowl Size	320 x 350 x 200mm
Min. Base Unit	800mm
Material	Granite
Drainer	Reversible

- Matt Black 5106MB
- Matt White 5106MW
- Matt Grey 5106MG



SB Deep Drainer

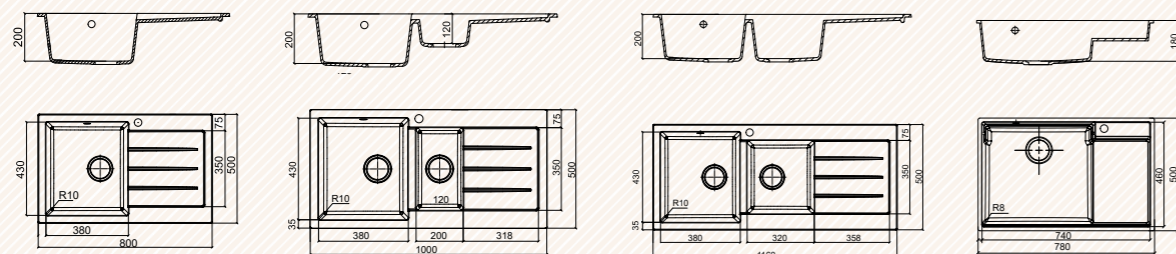
GENERAL INFORMATION

Overall Size	780 x 500mm
Main Bowl Size (L x W x D)	430 x 375 x 180mm
Second Bowl Size	N/A
Min. Base Unit	800mm
Material	Granite
Drainer	Right Hand Only

- Matt Black 5107MB
- Matt White 5107MW
- Matt Grey 5107MG



Includes Chrome Accessories



Compact Single Bowl – 5104MB, 5104MW & 5104MG

1.5 Bowl – 5105MB & 5105MG

1.75 Bowl – 5106MB, 5106MW & 5106MG

SB Deep Drainer – 5107MB, 5107MW & 5107MG

Sink shown: SB Deep Drainer in Matt Black 5107MB
Tap shown: EFFE Black 5019B

INES

The INES range is a versatile undermount solution for solid surface worktops, offering both practicality and style.

The selection of small and larger bowls caters to different preferences and requirements, making it a well-rounded choice for any kitchen.

The INES boasts a contoured bowl design, adding to the overall aesthetic appeal of an elegant and functional sink.

- Granite
- Undermount Installation
- 10mm Radius
- Wastekit Included

FINISHES AVAILABLE

Matt Black



Matt White



Matt Grey



SB 45 - Undermount

GENERAL INFORMATION

Overall Size	450 x 450mm
Main Bowl Size (L x W x D)	410 x 410 x 200mm
Second Bowl Size	N/A
Min. Base Unit	500mm
Material	Granite
Drainer	Reversible

- Matt Black 5100MB
- Matt White 5100MW
- Matt Grey 5100MG



SB 55 - Undermount

GENERAL INFORMATION

Overall Size	550 x 450mm
Main Bowl Size (L x W x D)	500 x 400 x 190mm
Second Bowl Size	N/A
Min. Base Unit	600mm
Material	Granite
Drainer	Reversible

- Matt Black 5101MB
- Matt White 5101MW
- Matt Grey 5101MG



SB 75 - Undermount

GENERAL INFORMATION

Overall Size	750 x 450mm
Main Bowl Size (L x W x D)	700 x 400 x 190mm
Second Bowl Size	N/A
Min. Base Unit	800mm
Material	Granite
Drainer	Reversible

- Matt Black 5102MB
- Matt White 5102MW
- Matt Grey 5102MG



Double Bowl - Undermount

GENERAL INFORMATION

Overall Size	787 x 457mm
Main Bowl Size (L x W x D)	350 x 407 x 240mm
Second Bowl Size	350 x 407 x 240mm
Min. Base Unit	800mm
Material	Granite
Drainer	Reversible

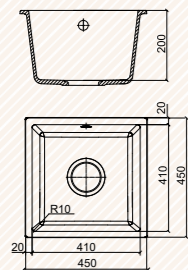
- Matt Black 5103MB
- Matt White 5103MW
- Matt Grey 5103MG



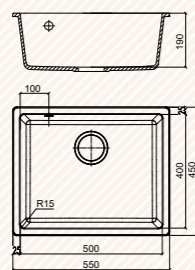
Sink shown: INES SB 75 Undermount 5102MG
Tap shown: DEGA Brushed Chrome 5018BF



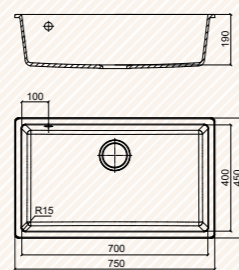
Sink shown: INES Double Bowl Undermount 5103MW
Tap shown: SKAI Chrome 5017CM



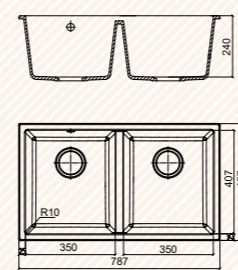
SB 45 Undermount –
5100MB, 5100MW & 5100MG



SB 55 Undermount –
5101MB, 5101MW & 5101MG



SB 75 Undermount –
5102MB, 5102MW & 5102MG



Double Bowl Undermount –
5103MB, 5103MW & 5103MG

COMPOSITE KITCHEN SINKS

ST JAMES
LIVING

ST JAMES
LIVING

EMA

The EMA range of composite sinks is subtle and minimal.

The seamless finish offers effortless cleaning and maintenance. The perfect choice for contemporary kitchens available in 3 finishes.

Single Bowl - Undermount

GENERAL INFORMATION

Overall Size	440 x 440mm
Main Bowl Size (L x W x D)	400 x 400 x 211mm
Second Bowl Size	N/A
Min. Base Unit	500mm
Material	Composite
Drainer	Reversible

- **Matt Black** 5046MBK
- **Matt White** 5046MWK
- **Matt Grey** 5046MGK

1.5 Bowl - Undermount

GENERAL INFORMATION

Overall Size	670 x 440mm
Main Bowl Size (L x W x D)	417 x 400 x 206mm
Second Bowl Size	178 x 400 x 206mm
Min. Base Unit	700mm
Material	Composite
Drainer	Reversible

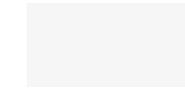
- **Matt Black** 5047MBK
- **Matt White** 5047MWK
- **Matt Grey** 5047MGK

FINISHES AVAILABLE

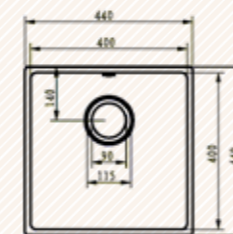
Matt Black



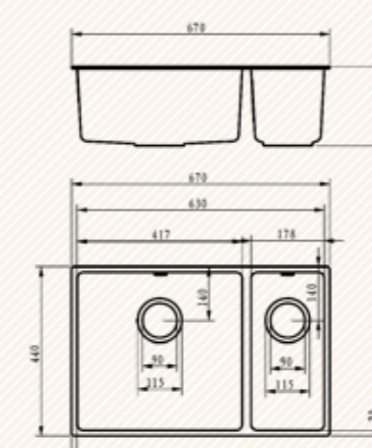
Matt White



Matt Grey



Single Bowl –
5046MB, 5046MW & 5046MG



1.5 Bowl –
5047MB, 5047MW & 5047MG



**CHROME
WASTE KIT INCLUDED**
Coloured waste kit available
See page 69.

ANA

The ANA composite sink can only be described as sleek and sophisticated.

Beautifully crafted with clean linear draining grooves tying in perfectly with precise angled corners in the bowl.

Available in single bowl & 1.5 bowl options in 3 different finishes.



Single Bowl

GENERAL INFORMATION

Overall Size	1000 x 500mm
Main Bowl Size (L x W x D)	425 x 430 x 200mm
Second Bowl Size	N/A
Min. Base Unit	600mm
Material	Composite
Drainer	Reversible

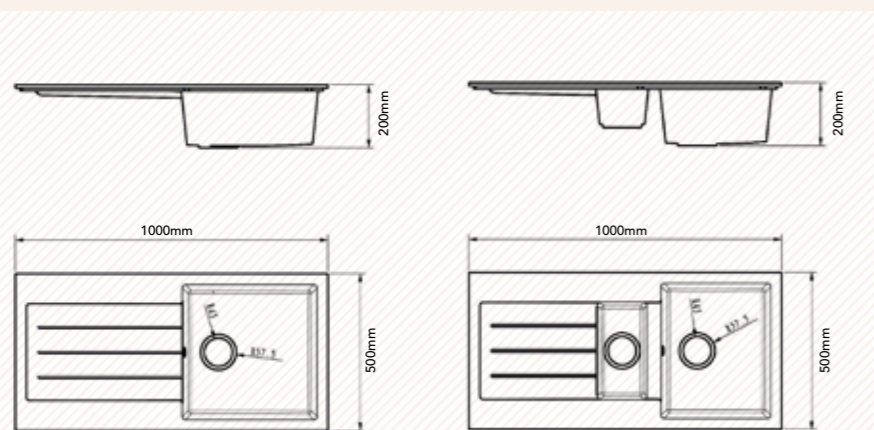
- Matt Black 5044MBK
- Matt White 5044MWK
- Matt Grey 5044MGK

1.5 Bowl

GENERAL INFORMATION

Overall Size	1000 x 500mm
Main Bowl Size (L x W x D)	345 x 430 x 200mm
Second Bowl Size	155 x 310 x 135mm
Min. Base Unit	600mm
Material	Composite
Drainer	Reversible

- Matt Black 5045MBK
- Matt White 5045MWK
- Matt Grey 5045MGK

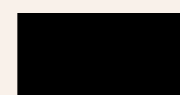


Single Bowl –
5044MB, 5044MW & 5044MG

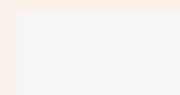
1.5 Bowl –
5045MB, 5045MW & 5045MG

FINISHES AVAILABLE

Matt Black



Matt White



Matt Grey



CHROME WASTE KIT INCLUDED
Coloured waste kit available
See page 69.

NORI

The NORI composite range, where traditional meets modern.

The high gloss finish makes it an eye catcher, featuring a recessed drainer with statement lines and a spacious bowl.

Pair the NORI with a traditional tap like the ELSA and you will certainly complete the farmhouse feel.



Sink shown: NORI Single Bowl
Gloss White 5048GWK
Tap shown: EDEN Chrome 5004CM

Single Bowl

GENERAL INFORMATION

Overall Size	1000 x 500mm
Main Bowl Size (L x W x D)	437 x 442 x 190mm
Second Bowl Size	N/A
Min. Base Unit	600mm
Material	Composite
Drainer	Reversible

Code 5048GWK

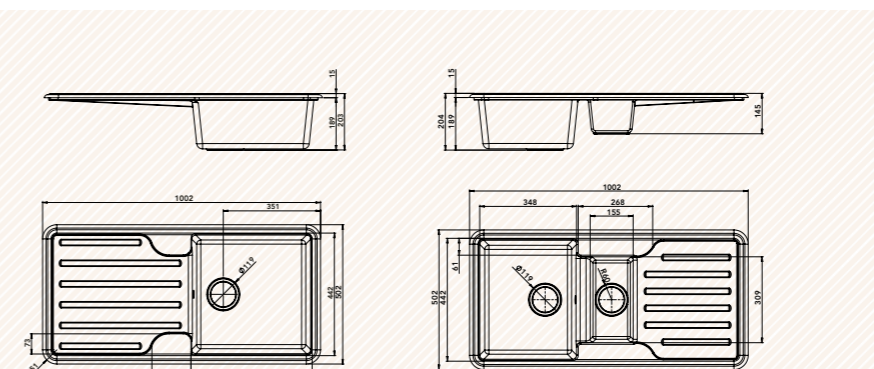


1.5 Bowl

GENERAL INFORMATION

Overall Size	1000 x 500mm
Main Bowl Size (L x W x D)	348 x 442 x 190mm
Second Bowl Size	155 x 309 x 145mm
Min. Base Unit	650mm
Material	Composite
Drainer	Reversible

Code 5049GWK

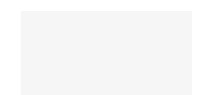


Single Bowl –
5048GWK

1.5 Bowl –
5049GWK

FINISHES AVAILABLE

Gloss White



CHROME WASTE KIT INCLUDED
Coloured waste kit available
See page 69.

PVD KITCHEN SINKS



MILO



Make a statement with a MILO undermount.

Available in bold but stunning metallic finishes, it is sure to stand out in your kitchen area.

Each sink is supplied with a matching PVD waste, offering pure colour match satisfaction.

FINISHES AVAILABLE

Brushed Brass



Brushed Copper



Gunmetal Grey



Steel Grey



Single Bowl - Undermount

GENERAL INFORMATION

Overall Size	440 x 440mm
Main Bowl Size (L x W x D)	400 x 400 x 200mm
Second Bowl Size	N/A
Min. Base Unit	500mm
Material	Composite
Drainer	Reversible

- Brushed Brass 5041BBK
- Brushed Copper 5041BCK
- Gunmetal Grey 5041GGK

- Steel Grey 5041SGK

1.5 Bowl - Undermount

GENERAL INFORMATION

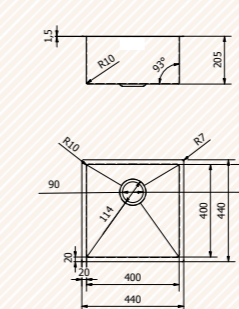
Overall Size	670 x 440mm
Main Bowl Size (L x W x D)	417 x 400 x 200mm
Second Bowl Size	178 x 400 x 200mm
Min. Base Unit	700mm
Material	Composite
Drainer	Reversible

- Brushed Brass 5042BBK
- Brushed Copper 5042BCK
- Gunmetal Grey 5042GGK

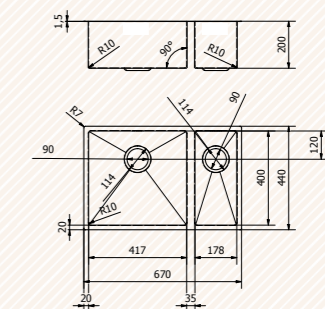
- Steel Grey 5042SGK



CHROME WASTE KIT INCLUDED
Coloured waste kit available
See page 69.



Single Bowl -
5041BBK, 5041BCK, 5041GGK & 5041SGK



1.5 Bowl -
5042BBK, 5042BCK, 5042GGK & 5042SGK

The MILO Belfast allows those who want the statement Belfast bowl but with a twist, bring in some colour to your kitchen with two beautiful finishes.

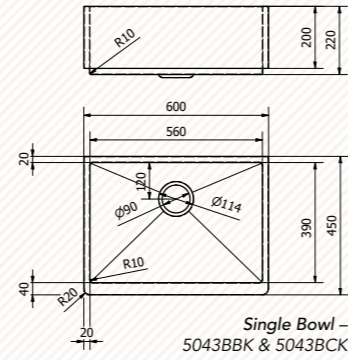
Single Bowl

GENERAL INFORMATION

Overall Size	600 x 450mm
Main Bowl Size (L x W x D)	560 x 390 x 200mm
Min. Base Unit	600mm
Material	PVD

- **Brushed Brass** 5043BBK
- **Brushed Copper** 5043BCK

CHROME WASTE KIT INCLUDED
Coloured waste kit available
See page 69.



FINISHES AVAILABLE

Brushed Brass



Brushed Copper



MILO BELFAST



WASTE KITS & ACCESSORIES



WASTE KITS & ACCESSORIES

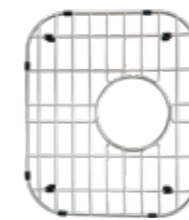
Basket Strainers

					
Colour	Brushed Brass	Brushed Copper	Steel Grey	Gunmetal Grey	Matt Black
Basket Strainer with Overflow Pipe	5062BB	5062BC	5062SG	5062GG	5062MB
Basket Strainer without Overflow Pipe	5062BBN	5062BCN	5062SGN	5062GGN	5062MBN

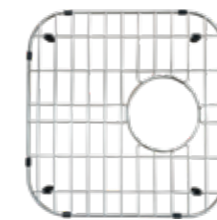
Waste Kits

	
Colour	Brushed Satin
Single Bowl	5058
1.5 Bowl	5059

Sink Protectors:



Small Size
370 x 310mm
Suits Products
5032, 5033, 5038L & 5038R
Code 5054



Medium Size
370 x 370mm
Suits Products
5035
Code 5055

Soap Dispenser



FINISH	CODE
 Chrome	5060CM
 Brushed Chrome	5060BF



GOODBYE FOOD WASTE, HELLO CONVENIENCE









WASTEMASTER® FOOD WASTE DISPOSERS

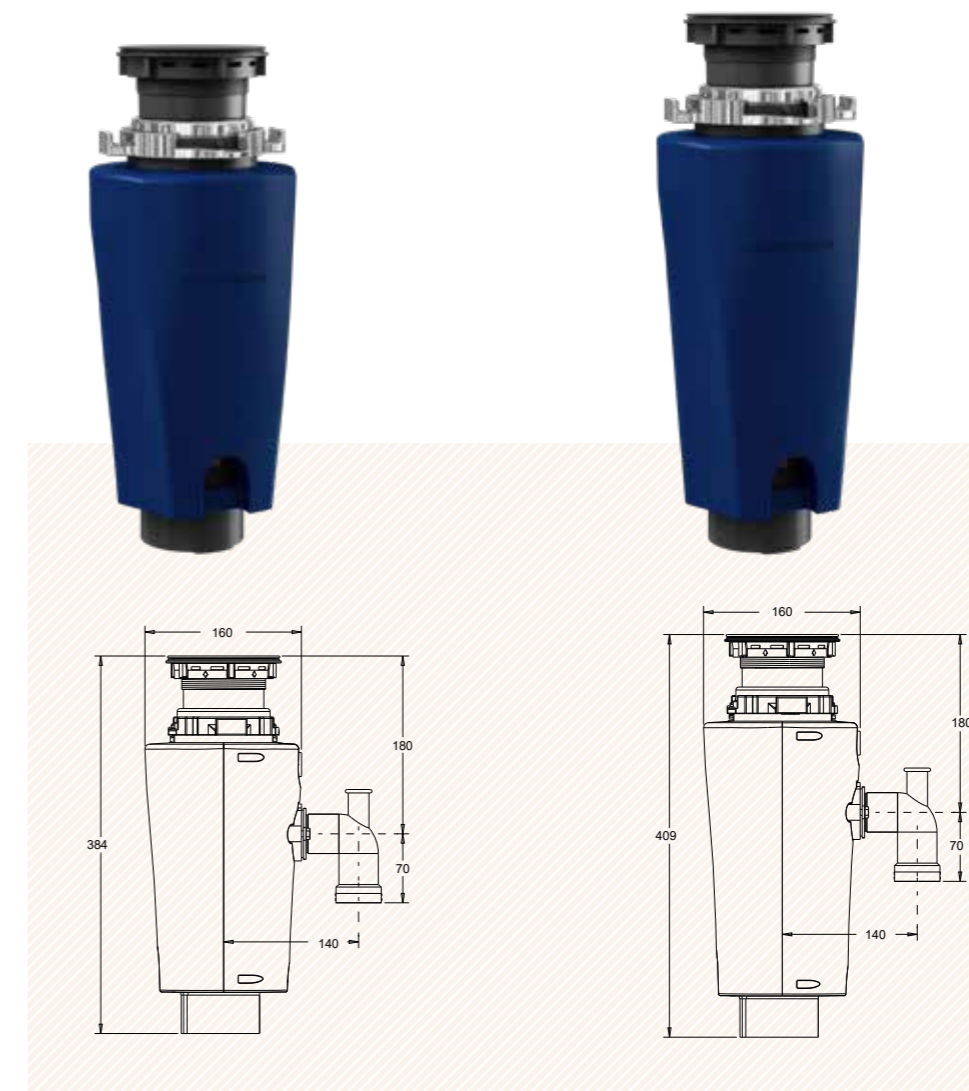
The WasteMaster food waste disposal unit is an essential addition to every home.

It sits neatly beneath the kitchen sink and provides a simple, convenient, and sanitary way to handle food waste. The unit is attached directly to the sink and rather than being thrown into a bin, food waste goes straight into the WasteMaster aided by a stream of cold water from the tap. It is then quickly and quietly ground into tiny particles and despatched to wastewater treatment facilities via the drainage system.

WasteMaster units feature an ingeniously powerful magnetic motor that provides instant torque to make light work of most food items. A compact outer shell also leaves plenty of room for under-sink plumbing needed for instant hot water taps and other appliances.

WASTEMASTER®

- 
CONVENIENCE: WasteMaster food waste disposers make cleaning up in the kitchen easier and more convenient. Instead of food waste building-up in a bin, you can simply wash it down the drain, saving time and effort.
- 
REDUCED ODOURS: By disposing of food waste promptly, you can reduce the chances of odours lingering in your kitchen..
- 
REDUCING FOOD WASTE: Treating the food waste via anaerobic digestion allows it to be processed along with sewage, potentially leading to the production of biogas, which can be captured for various purposes including biosolids, which are rich in nutrients and can be used as fertiliser.
- 
IMPROVED HYGIENE: By reducing the amount of food waste in your kitchen bins, there's less likelihood of attracting pests such as insects or rodents, which helps improve the overall hygiene of your kitchen.
- 
COST SAVINGS: Over time, the use of a food waste disposer can provide savings on bin bags and help to potentially decrease blockages in your system.
- 
VERSATILITY: Food waste disposers can handle a wide range of food waste, making them suitable for most kitchen environments.
- 
POWERFUL MOTOR: Benefitting from a permanent magnetic motor that provides instant torque, the WasteMaster can quickly and easily grind up most types of food waste. Fat and grease should be disposed of separately and not via the WasteMaster.
- 
COMPACT DESIGN: The WasteMaster boasts a compact slimline shell, to minimise the space taken up under the sink.



WasteMaster 0.5HP

GENERAL INFORMATION

Horsepower	0.5
Motor Speed RPM	2600 RPM
Voltage	220-240v
Wattage	475
Amps	2.25
Cycles	50-60
Built-In Air Switch	Yes
Motor Type	Permanent Magnet
Splash Guard	Removable
Grind Ring	Stainless Steel
Swivel Impellers	Stamped Stainless Steel
Balance Turntable	Stainless Steel
Balance Armature Shaft	Yes
Sound Shell	Deluxe Sound Shell
Dishwasher Connection	Yes
Unit Weight	4.5 kg
Lifetime Corrosion Guarantee	Yes

Code 5080

WasteMaster 0.75HP

GENERAL INFORMATION

Horsepower	0.75
Motor Speed RPM	2700 RPM
Voltage	220-240v
Wattage	550
Amps	2.25
Cycles	50-60
Built-In Air Switch	Yes
Motor Type	Permanent Magnet
Splash Guard	Removable
Grind Ring	Stainless Steel
Swivel Impellers	Cast Stainless Steel
Balance Turntable	Stainless Steel
Balance Armature Shaft	Yes
Sound Shell	Super Deluxe Sound Shell
Dishwasher Connection	Yes
Unit Weight	6.35 kg
Lifetime Corrosion Guarantee	Yes

Code 5081

BATHROOM TAPS



1/2" Basin Taps

Code 580001



3/4" Basin Taps

Code 580002



1/2" High Neck Sink Taps

Code 580003



Bath Shower Mixer

Code 580605



Sink & Shower Pack

Code 580608



3/4" Bath Shower Mixer

Code (3") 580005

Spare Spindles

Code 580999

Spare Spindles

Code 580999



1/2" Non Concussive Basin Taps

Code 598205



Crosshead Basin Taps

Code 580601



Crosshead Bath Taps

Code 580602



Mono Basin Mixer

Code 580607



Basin Mixer with Pop-Up

Code 580007

Spare Spindles

Code 598206



High Neck Sink Taps

Code 598053



Basin Taps

Code 598051



Spare Levers & Valves

Code (3") 799300

GENERAL INFORMATION + WARRANTY

BROCHURE INFORMATION

All information contained in this brochure is accurate at the time of going to press. Instantor reserves the right to introduce changes and modifications without prior notice.

Whilst every attempt has been made to select images that accurately portray our products, variations in colour and style cannot be avoided. Further variations may also be caused by inconsistency in colour, reproduction and print.

DIMENSIONS

Please note all dimensions in this brochure are shown in millimetres unless otherwise stated. They are intended as a guide only and may be subject to a degree of inaccuracy.

CONTACT & CUSTOMER SERVICE

For all enquiries contact our customer service team:

Instantor
Instantor Works
Santry Avenue
Dublin 9
D09 K16
Ireland

Telephone: +353 1 842 6255
Email: sales@instantor.ie

FOLLOW US



PRODUCT GUARANTEE

St James Kitchen Taps	5 Years
Eirline Kitchen Taps	2 Years
Sanindusa Ceramic Sinks	2 Years
St James Living Stainless Steel Sinks	25 Years
Eirline Stainless Steel Sinks	10 Years
St James Living Granite Sink	25 Years
St James Living Composite Sinks	10 Years
St James Living PVD Sinks	5 Years
St James Living Accessories	1 Year
WasteMaster	3 Years
Eirline Bathroom Taps	2 Years

Instantor guarantees its products against manufacturing defects if they're installed, used, and maintained correctly according to their instructions. Proof of purchase is required for any claim. The guarantee doesn't cover damage from misuse, improper installation, normal wear and tear, or external factors. If a defect is found, Instantor may repair or replace the product after inspection.





BELFAST
Double Bowl - 629890



Sink shown: TUVA 1.5 Bowl 5073R
Tap shown: EFFE Brushed Chrome 5019BF



Instantor[®]

T 01 842 6255 E sales@instantor.ie

www.instantor.ie

Sanbra Fyffe Ltd.

Instantor Works, Santry Avenue, Santry, Dublin D09 K160



Superior Plumbing Products
for **Professional Plumbers**
Since 1926

26.06 Unpriced