



# Instantor®



BUILT ON A CENTURY OF **EXPERTISE**,  
INSTANTOR IS A **TRUSTED NAME**  
IN **PLUMBING INNOVATION**





# Instantor<sup>®</sup>

## Brass Compression Fittings

**INSTANTOR**  
BRASS COMPRESSION FITTINGS

25  
YEAR  
ANNIVERSARY

Instantor has proudly held the position of market leader in Brass Compression Fittings since 1926.

Manufactured from high-grade CW617N Brass, these fittings guarantee durability and reliability, embodying decades of expertise. Engineered with precision to minimize the risk of leaks, Instantor Compression Fittings offer peace of mind in plumbing installations.

The compression technology allows for a quick and hassle-free installation, eliminating the need for hazardous methods like soldering or welding.

With a diverse range of fittings available from 1/2" to 2" in imperial sizing as well as 8mm to 54mm in metric sizing, and designed to withstand high pressures and temperatures, these fittings ensure performance and longevity in demanding environments.

Whether for a small-scale residential project or a large-scale industrial application, Instantor's Brass Compression Fittings are backed up by certification from NSAI & WRAS, making them the go-to choice for reliable plumbing solutions.



# CHROME

## Instantor Compression Fittings - Chrome

Please add 50% to the brass finished price to calculate Instantor chrome plated price



### 310 Straight Coupler C x C



CODE	SIZE	BOX QTY	PACK QTY	PRICE €
310001	1/2"	200	10	
310002	3/4"	110	10	
310003	1"	80	10	
310004	1 1/4"	69	L	
310005	1 1/2"	25	L	
310006	2"	25	2	
310021	3/4" x 1/2"	140	10	
310031	1" x 1/2"	80	10	
310032	1" x 3/4"	100	10	
310042	1 1/4" x 3/4"	50	L	
310043	1 1/4" x 1"	50	L	
307000	1/2" x 8mm (1/4")	-	10	
306999	1/2" x 10mm	-	10	
306998	1/2" x 12mm	-	10	
307005	1/2" x 15mm	-	L	

### 311 Straight Coupler M.I. x C



CODE	SIZE	BOX QTY	PACK QTY	PRICE €
311001	1/2"	300	10	
311002	3/4"	150	10	
311003	1"	100	10	
311004	1 1/4"	56	L	
311005	1 1/2"	36	L	
311006	2"	22	L	
311021	3/4" M x 1/2"	200	10	
311032	1" M x 3/4"	100	10	
311043	1 1/4" M x 1"	50	L	
311054	1 1/2" M x 1 1/4"	50	L	

### 310/RV Straight Coupler with Air Vent



CODE	SIZE	PACK QTY	PRICE €
310RV1	1/2"	L	

### P311 Straight Coupler M.I. x Poly



CODE	SIZE	BOX QTY	PACK QTY	PRICE €
311012	1/2" M x 3/4"	160	10	
311023	3/4" M x 1"	100	10	
311034	1" M x 1 1/4"	84	10	
311035	1" M x 1 1/2"	40	L	
311045	1 1/4" M x 1 1/2"	45	L	

### 312 Straight Coupler F.I. x C



CODE	SIZE	BOX QTY	PACK QTY	PRICE €
312001	1/2"	250	10	
312002	3/4"	120	10	
312003	1"	80	10	
312004	1 1/4"	63	L	
312005	1 1/2"	36	L	
312006	2"	22	L	
312021	3/4" F x 1/2"	150	10	
312032	1" F x 3/4"	100	10	

### P312 Straight Coupler F.I. x Poly



CODE	SIZE	BOX QTY	PACK QTY	PRICE €
312012	1/2" F x 3/4"	200	10	
312023	3/4" F x 1"	100	10	
312034	1" F x 1 1/4"	80	L	

### 314 Swivel Coupler F.I. x C



CODE	SIZE	BOX QTY	PACK QTY	PRICE €
314001	1/2"	200	10	

### 315 Elbow C x C



CODE	SIZE	BOX QTY	PACK QTY	PRICE €
315001	1/2"	200	10	
315002	3/4"	100	10	
315003	1"	60	10	
315004	1 1/4"	38	L	
315005	1 1/2"	26	L	
315006	2"	12	L	
315021	3/4" x 1/2"	100	L	
315032	1" x 3/4"	-	L	
415011	1/2" x 15mm	-	-	
415022	3/4" x 22mm	100	10	
415033	1" x 28mm	-	-	

### 316 Elbow M.I. x C



CODE	SIZE	BOX QTY	PACK QTY	PRICE €
316001	1/2"	200	10	
316002	3/4"	100	10	
316003	1"	60	10	
316004	1 1/4"	40	L	
316005	1 1/2"	20	L	
316006	2"	12	L	
316021	3/4" M x 1/2"	150	L	
316032	1" M x 3/4"	80	10	

### P316 Elbow M.I. x Poly



CODE	SIZE	BOX QTY	PACK QTY	PRICE €
316012	1/2" M x 3/4"	150	10	
316023	3/4" M x 1"	-	L	

### 317 Elbow F.I. x C



CODE	SIZE	BOX QTY	PACK QTY	PRICE €
317001	1/2"	120	10	
317002	3/4"	100	10	
317003	1"	60	10	
317004	1 1/4"	36	L	
317005	1 1/2"	25	L	
317006	2"	10	L	
317021	3/4" F x 1/2"	120	10	
317032	1" F x 3/4"	80	10	

### 317W Wallplate Elbow F.I. x C



CODE	SIZE	BOX QTY	PACK QTY	PRICE €
319001	1/2"	100	5	

### P317 Elbow F.I. x Poly



CODE	SIZE	BOX QTY	PACK QTY	PRICE €
317012	1/2" F x 3/4"	150	10	
317023	3/4" F x 1"	60	10	

Note: Products produced from brass are NOT suitable for use underground.

Note: Products produced from brass are NOT suitable for use underground.

### 318 Equal Tees C x C x C



CODE	SIZE	BOX QTY	PACK QTY	PRICE €
318001	1/2"	120	10	
318002	3/4"	80	10	
318003	1"	40	10	
318004	1 1/4"	28	L	
318005	1 1/2"	16	L	
318006	2"	8	L	

### 318 Reducing Tees C x C x C



CODE	SIZE	BOX QTY	PACK QTY	PRICE €
318112	1/2" x 1/2" x 3/4"	80	10	
318211	3/4" x 1/2" x 1/2"	80	10	
318212	3/4" x 1/2" x 3/4"	70	10	
318221	3/4" x 3/4" x 1/2"	70	10	
318223	3/4" x 3/4" x 1"	50	10	
318311	1" x 1/2" x 1/2"	50	L	
318312	1" x 1/2" x 3/4"	50	L	
318313	1" x 1/2" x 1"	40	10	
318321	1" x 3/4" x 1/2"	50	L	
318322	1" x 3/4" x 3/4"	50	10	
318331	1" x 1" x 1/2"	60	10	
318332	1" x 1" x 3/4"	60	10	
318323	1" x 3/4" x 1"	50	10	
318442	1 1/4" x 1 1/4" x 3/4"	28	L	
318443	1 1/4" x 1 1/4" x 1"	28	L	
318553	1 1/2" x 1 1/2" x 1"	25	L	
318554	1 1/2" x 1 1/2" x 1 1/4"	20	L	

### 321/P321 Wallplate Elbow F.I. x C



CODE	SIZE	BOX QTY	PACK QTY	PRICE €
321001	1/2"	30	5	
321002	3/4"	40	5	
321012	1/2" F x 3/4"	30	10	

### 323 Cross C x C x C x C



CODE	SIZE	BOX QTY	PACK QTY	PRICE €
323001	1/2"	60	L	
323002	3/4"	40	L	

### 327 Swivel Elbow F.I. x C



CODE	SIZE	BOX QTY	PACK QTY	PRICE €
327001	1/2"	200	10	
327002	3/4"	80	L	

### 330 Tee C x C x F.I.



CODE	SIZE	BOX QTY	PACK QTY	PRICE €
330001	1/2"	120	10	
330002	3/4"	50	10	
330003	1"	50	10	
330221	3/4" x 3/4" x 1/2" F	80	10	
330331	1" x 1" x 1/2" F	50	L	
330332	1" x 1" x 3/4" F	50	L	

### 332 Stopcock C x C



CODE	SIZE	BOX QTY	PACK QTY	PRICE €
332001	1/2"	50	L	
332002	3/4"	25	L	
332003	1"	20	L	

### 340 Adaptor M.I. x F.I Instantor®



CODE	SIZE	BOX QTY	PACK QTY	PRICE €
340001	1/2"	250	L	
340002	3/4"	200	L	
340003	1"	140	L	

### 341 Adaptor F.I. x F.I Instantor® (B.S.P x CONEX)



CODE	SIZE	BOX QTY	PACK QTY	PRICE €
341001	1/2"	250	L	
341002	3/4"	190	L	
341003	1"	100	L	

### 342 Adaptor F.I. x F.I. B.S.P.



CODE	SIZE	BOX QTY	PACK QTY	PRICE €
342001	1/2"	120	L	
342002	3/4"	140	L	
342003	1"	100	L	

### 348 Reducing Set



CODE	SIZE	BOX QTY	PACK QTY	PRICE €
348018	1/2" x 10mm	-	-	
348021	3/4" x 1/2"	500	10	
348031	1" x 1/2"	320	10	
348032	1" x 3/4"	300	10	
348041	1 1/4" x 1/2"	200	L	
348042	1 1/4" x 3/4"	200	L	
348043	1 1/4" x 1"	200	10	
348051	1 1/2" x 1/2"	100	L	
348052	1 1/2" x 3/4"	100	L	
348053	1 1/2" x 1"	100	L	
348054	1 1/2" x 1 1/4"	100	L	
348061	2" x 1/2"	50	L	
348062	2" x 3/4"	50	L	
348063	2" x 1"	50	L	
348064	2" x 1 1/4"	50	L	
348065	2" x 1 1/2"	50	L	

### 350 Flanged Tank Connector with backnut



CODE	SIZE	BOX QTY	PACK QTY	PRICE €
350001	1/2"	150	10	
350002	3/4"	110	10	
350003	1"	80	10	
350004	1 1/4"	50	L	
350005	1 1/2"	40	L	
350006	2"	20	L	

Note: Products produced from brass are NOT suitable for use underground.

Note: Products produced from brass are NOT suitable for use underground.

### 351 Stop End



CODE	SIZE	BOX QTY	PACK QTY	PRICE €
351001	1/2"	350	10	
351002	3/4"	200	10	
351003	1"	150	10	
351004	1 1/4"	100	L	
351005	1 1/2"	72	L	

### 367 Gate Valve C x C



CODE	SIZE	BOX QTY	PACK QTY	PRICE €
367001	1/2"	60	10	
367002	3/4"	50	5	
367003	1"	40	5	
367004	1 1/4"	15	5	
367005	1 1/2"	5	5	
367006	2"	5	5	

### 372 Blank Cap and Washers



CODE	SIZE	BOX QTY	PACK QTY	PRICE €
372001	1/2"	700	50	
372002	3/4"	350	25	
372002BSP	3/4" BSP	-	-	
372003	1"	-	25	
372003BSP	1" BSP	-	-	
372004	1 1/4"	100	L	
372005	1 1/2"	125	L	
372006	2"	72	L	
560510PK	1/2" Blank washer	-	L	
560511PK	3/4" Blank washer	-	L	
560512PK	1" Blank washer	-	L	

### 372RV Air Vent



CODE	SIZE	BOX QTY	PACK QTY	PRICE €
373001	1/2"	800	L	

### 378A Coupling Nut



CODE	SIZE	BOX QTY	PACK QTY	PRICE €
378001	1/2"	800	100	
378002	3/4"	600	50	
378003	1"	300	50	
378004	1 1/4"	150	L	
378005	1 1/2"	180	L	
378006	2"	68	L	

### 378B Compression Ring



CODE	SIZE	BOX QTY	PACK QTY	PRICE €
379001	1/2"	4,000	250	
379002	3/4"	2,000	100	
379003	1"	50	50	
379004	1 1/4"	-	L	
379005	1 1/2"	320	L	
379006	2"	-	L	

### 381 Pillar Cock Adaptor F.I. x C



CODE	SIZE	BOX QTY	PACK QTY	PRICE €
381001	1/2"	-	L	
381002	3/4"	170	L	

### 171 Straight Coupler with Combined M.T. Plug C x C



CODE	SIZE	BOX QTY	PACK QTY	PRICE €
369001	1/2"	100	L	
369002	3/4"	50	10	
369003	1"	50	L	
369000	Plug for 171	-	-	

### 271/633 M.T. Cock



CODE	SIZE	BOX QTY	PACK QTY	PRICE €
368001	1/2"	200	10	

### 471 Elbow with Combined M.T. Plug C x C



CODE	SIZE	BOX QTY	PACK QTY	PRICE €
370001	1/2"	-	L	
370002	3/4"	50	10	
370003	1"	25	L	

### 571 Injector Tee C x F.I. x C



CODE	SIZE	BOX QTY	PACK QTY	PRICE €
357571	1"	50	5	
457571	28mm	-	L	

### 871 Elbow with Combined M.T. Plug M.I. x C



CODE	SIZE	BOX QTY	PACK QTY	PRICE €
371002	3/4"	60	10	

### Instantor Compression Spares

CODE	SIZE	PRICE €
560513 PK	Blank Fibre Washer For 1 1/4" No 372	
560514 PK	Blank Fibre Washer For 1 1/2" No 372	
568903 PK	1/2" Washers For 327001/314001	
560110	Spare Rubber Washer For 1/2" 350001	
560111	Spare Rubber Washer For 3/4" 350002	
560112	Spare Rubber Washer For 1" 350003	
560113	Spare Rubber Washer (part 7) 750305	
560210	Spare Fibre Washer For 372001	
560211	Spare Fibre Washer For 372002	
540332	20mm x 1/2" Adapt Ring	
540333	25mm x 3/4" Adapt Ring	
540334	1/2" Black Ring	
540335	3/4" Black Ring	
479011	15mm Copper Olives	

Note: Products produced from brass are NOT suitable for use underground.

Note: Products produced from brass are NOT suitable for use underground.

## 042 Reducing Bush (BSP Thread) MI x FI



CODE	SIZE	BOX QTY	PACK QTY	PRICE €
042017	1/2" x 1/4"	500	-	
305000	1/2" x 3/8"	-	10	
305001	3/8" x 1/4"	-	-	
042021	3/4" x 1/2"	400	10	
042031	1" x 1/2"	250	10	
042032	1" x 3/4"	200	10	
042041	1 1/4" x 1/2"	-	L	
042042	1 1/4" x 3/4"	220	L	
042043	1 1/4" x 1"	110	L	
042051	1 1/2" x 1/2"	110	L	
042052	1 1/2" x 3/4"	100	L	
042053	1 1/2" x 1"	140	L	
042054	1 1/2" x 1 1/4"	100	L	
042065	2" x 1 1/4"	100	L	

## 044 Flanged Brass Backnut



CODE	SIZE	BOX QTY	PACK QTY	PRICE €
044001	1/2"	500	25	
044002	3/4"	400	50	
044003	1"	250	25	
044004	1 1/4"	-	L	
044005	1 1/2"	-	L	
044011	1/2" HEAVY	500	-	

## 072 Hex Nipple (BSP Thread)



CODE	SIZE	BOX QTY	PACK QTY	PRICE €
072007	1/4"	1000	100	
072008	3/8"	-	L	
072001	1/2"	500	50	
072002	3/4"	300	25	
072003	1"	180	10	
072004	1 1/4"	-	L	
072005	1 1/2"	-	L	
072006	2"	-	L	

## 073 Parallel Nipple (BSP Thread)



CODE	SIZE	BOX QTY	PACK QTY	PRICE €
073001	1/2"	400	25	
073010	1/2" - 100mm Long	-	-	
073002	3/4"	350	25	
073100	3/4" - 100mm Long	-	-	
073003	1"	-	L	
073004	1 1/4"	-	L	

## 074 M.I. Brass Plug



CODE	SIZE	BOX QTY	PACK QTY	PRICE €
306000	3/8"	-	10	
074001	1/2"	500	10	
074002	3/4"	300	10	
074003	1"	250	10	
074005	1 1/2"	-	L	
074006	1 3/4"	-	L	

## Instantor® Bucket Buy

Each Bucket Includes:

- 10 x 1/2" 310's
- 10 x 3/4" 310's
- 10 x 3/4" x 1/2" 310's
- 10 x 1/2" 315's
- 10 x 3/4" 315's
- 10 x 1/2" 318's

and one of four **FREE** options below:



### Instantor® Bucket Buy 1

CODE	CONTENTS X10	PRICE €
380000	1/2" 310, 3/4" 310, 3/4" x 1/2" 310, 1/2" 315, 3/4" 315, 1/2" 318  Comes with Free... 1x 1/2" CxC WRAS Approved Lever Action Ball Valve  1x 3/4" CxC WRAS Approved Lever Action Ball Valve	

### Instantor® Bucket Buy 3

CODE	CONTENTS X10	PRICE €
380002	1/2" 310, 3/4" 310, 3/4" x 1/2" 310, 1/2" 315, 3/4" 315, 1/2" 318  Comes with Free... 5x 1/2" CxC Chrome Plated Isolating Valves	

### Instantor® Bucket Buy 2

CODE	CONTENTS X10	PRICE €
380001	1/2" 310, 3/4" 310, 3/4" x 1/2" 310, 1/2" 315, 3/4" 315, 1/2" 318  Comes with Free... 1x 1/2" CxC WRAS Approved Lever Action Ball Valve  1x 3/4" CxC Instantor 367 Gate Valve	

### Instantor® Bucket Buy 4

CODE	CONTENTS X10	PRICE €
380003	1/2" 310, 3/4" 310, 3/4" x 1/2" 310, 1/2" 315, 3/4" 315, 1/2" 318  Comes with Free... 10x 1/2" C10 Solder Ring Fittings 10x 1/2" C15 Solder Ring Fittings	

## Polyadaptors



### Polyadaptors Complete

CODE	SIZE	PACK QTY	PRICE €
641010K	1/2"	100	
641020K	3/4"	50	
641030K	1"	50	
641040K	1 1/4"	L	
641050K	1 1/2"	L	

### Polyadaptors Inserts Only

CODE	SIZE	PACK QTY	PRICE €
642010	1/2"	100	
642020	3/4"	50	
642030	1"	50	

### Polyadaptors Sleeves Only

CODE	SIZE	PACK QTY	PRICE €
643010	1/2"	100	
643020	3/4"	50	
643030	1"	50	

Note: Products produced from brass are NOT suitable for use underground.

### 410 Straight Coupler C x C



CODE	SIZE	BOX QTY	PACK QTY	PRICE €
410077	8mm	-	10	
410088	10mm	-	10	
410099	12mm	-	10	
410001	15mm	250	10	
410002	22mm	130	10	
410003	28mm	80	10	
410004	35mm	-	L	
410005	42mm	-	L	
410006	54mm	-	L	
410087	10 x 8mm	-	10	
410097	12 x 8mm	-	10	
410017	15 x 8mm	-	10	
410098	12 x 10mm	-	10	
410018	15 x 10mm	-	10	
410318	15mm x 10mm (3/8")	-	-	
410019	15 x 12mm	-	10	
410021	22 x 15mm	-	10	
410022	22mm x 3/4"	130	10	
410031	28mm x 15mm	-	-	
410032	28 x 22mm	-	10	
410033	28mm x 1"	-	-	

### 411 Straight Coupler C x M.I.



CODE	SIZE	BOX QTY	PACK QTY	PRICE €
411077	8mm x 1/4"	10	10	
411079	8mm x 3/8"	10	10	
411071	8mm x 1/2"	10	10	
411087	10mm x 1/4"	10	10	
411089	10mm x 3/8"	10	-	
411081	10mm x 1/2"	10	10	
411097	12mm x 1/4"	10	10	
411099	12mm x 3/8"	10	L	
411091	12mm x 1/2"	10	L	
411092	12mm x 3/4"	10	10	
411017	15mm x 1/4"	10	10	
411019	15mm x 3/8"	10	10	
411001	15mm x 1/2"	10	10	
411012	15mm x 3/4"	10	10	
411021	22mm x 1/2"	10	-	
411002	22mm x 3/4"	10	10	
411023	22mm x 1"	100	10	
411032	28mm x 3/4"	10	-	
411003	28mm x 1"	100	10	
411004	35mm x 1 1/4"	L	-	
411005	42mm x 1 1/2"	L	-	
411006	54mm x 2"	L	-	

### 412 Straight Coupler C x F.I.



CODE	SIZE	BOX QTY	PACK QTY	PRICE €
412077	8mm x 1/4"	10	10	
412071	8mm x 1/2"	10	10	
412079	8mm x 3/8"	10	10	
412087	10mm x 1/4"	10	10	
412081	10mm x 1/2"	10	-	
412089	10mm x 3/8"	10	10	
412099	12mm x 3/8"	10	10	
412091	12mm x 1/2"	10	L	
412019	15mm x 3/8"	10	L	
412001	15mm x 1/2"	10	10	
412012	15mm x 3/4"	10	10	
412021	22mm x 1/2"	10	10	
412002	22mm x 3/4"	10	10	
412023	22mm x 1"	100	10	
412032	28mm x 3/4"	10	-	
412003	28mm x 1"	10	10	
412004	35mm x 1 1/4"	L	10	
412005	42mm x 1 1/2"	L	-	
412006	54mm x 2"	L	10	

### 414 Straight Swivel Coupler C x F.I.



CODE	SIZE	BOX QTY	PACK QTY	PRICE €
414001	15mm x 1/2"	10	10	

### 415 Elbow C x C



CODE	SIZE	BOX QTY	PACK QTY	PRICE €
415077	8mm	-	10	
415088	10mm	-	10	
415099	12mm	-	10	
415001	15mm	200	10	
415002	22mm	100	10	
415003	28mm	-	10	
415004	35mm	-	L	
415005	42mm	-	L	
415006	54mm	-	L	
415098	12 x 10mm	-	10	
415018	15 x 10mm	-	10	
415019	15 x 12mm	-	10	
415021	22 x 15mm	-	10	
415032	28mm x 22mm	-	10	
415033	28mm x 1"	-	-	

### 416 Elbow C x M.I.



CODE	SIZE	BOX QTY	PACK QTY	PRICE €
416077	8mm x 1/4"	10	10	
416079	8mm x 3/8"	10	10	
416071	8mm x 1/2"	10	10	
416087	10mm x 1/4"	10	10	
416089	10mm x 3/8"	10	-	
416081	10mm x 1/2"	10	10	
416099	12mm x 3/8"	10	10	
416091	12mm x 1/2"	10	L	
416017	15mm x 1/4"	10	L	
416019	15mm x 3/8"	10	L	
416001	15mm x 1/2"	10	10	
416012	15mm x 3/4"	10	10	
416021	22mm x 1/2"	10	10	
416002	22mm x 3/4"	10	10	
416023	22mm x 1"	10	10	
416032	28mm x 3/4"	10	-	
416003	28mm x 1"	10	10	
416004	35mm x 1 1/4"	10	10	
416005	42mm x 1 1/2"	10	-	

### 417 Elbow C x F.I.



CODE	SIZE	BOX QTY	PACK QTY	PRICE €
417077	8mm x 1/4"	10	10	
417079	8mm x 3/8"	10	10	
417089	10mm x 3/8"	10	10	
417081	10mm x 1/2"	10	10	
417099	12mm x 3/8"	10	-	
417001	15mm x 1/2"	10	10	
417021	22mm x 1/2"	10	L	
417002	22mm x 3/4"	10	L	
417032	28mm x 3/4"	10	10	
417003	28mm x 1"	10	10	
417004	35mm x 1 1/4"	L	10	
417005	42mm x 1 1/2"	10	10	

### P417 Elbow F.I. x Poly



CODE	SIZE	BOX QTY	PACK QTY	PRICE €
417012	15mm x 3/4"	-	10	
417023	22mm x 1"	-	10	

### 417W Wall Plate Elbow C x F.I.



CODE	SIZE	BOX QTY	PACK QTY	PRICE €
419001	15mm x 1/2"	-	10	
419021	22mm x 1/2"	-	10	

### 418 Equal Tees C x C x C



CODE	SIZE	BOX QTY	PACK QTY	PRICE €
418777	8mm	-	10	
418888	10mm	-	10	
418999	12mm	-	10	
418001	15mm	-	10	
418002	22mm	50	10	
418003	28mm	-	10	
418004	35mm	-	L	
418005	42mm	-	L	
418006	54mm	-	L	

### 418 Reducing Tees C x C x C



CODE	SIZE	BOX QTY	PACK QTY	PRICE €
418887	10 x 10 x 8mm	-	10	
418878	10 x 8 x 10mm	-	10	
418889	10 x 10 x 12mm	-	10	
418988	12 x 10 x 10mm	-	10	
418998	12 x 12 x 10mm	-	10	
418989	12 x 10 x 12mm	-	10	
418991	12 x 12 x 15mm	-	10	
418187	15 x 10 x 8mm	-	10	
418188	15 x 10 x 10mm	-	10	
418189	15 x 10 x 12mm	-	10	
418181	15 x 10 x 15mm	-	10	
418198	15 x 12 x 10mm	-	10	
418118	15 x 15 x 10mm	-	10	
418199	15 x 12 x 12mm	-	10	
418119	15 x 15 x 12mm	-	10	
418112	15 x 15 x 22mm	-	10	
418211	22 x 15 x 15mm	-	10	
418212	22 x 15 x 22mm	-	10	
418221	22 x 22 x 15mm	-	10	
418313	28 x 15 x 28mm	-	10	
418331	28 x 28 x 15mm	-	10	
418322	28 x 22 x 22mm	-	10	
418323	28 x 22 x 28mm	-	10	
418332	28 x 28 x 22mm	-	10	
418443	35 x 35 x 28mm	-	10	

Note: Products produced from brass are NOT suitable for use underground.

Note: Products produced from brass are NOT suitable for use underground.

### 420 Tee C x C x M.I.



CODE	SIZE	BOX QTY	PACK QTY	PRICE €
420002	22mm x 22mm x 3/4"	-	10	

### 421/P421 Wallplate Elbow F.I. x C



CODE	SIZE	BOX QTY	PACK QTY	PRICE €
421001	15mm x 1/2"	-	-	
421002	22mm x 3/4"	-	-	

### 430 Tee C x C x F.I.



CODE	SIZE	BOX QTY	PACK QTY	PRICE €
430001	15mm x 15mm x 1/2"	-	10	
430221	22mm x 22mm x 1/2"	-	10	
430002	22mm x 22mm x 3/4"	-	10	
430003	28mm x 28mm x 1"	-	10	

### 427 Swivel Elbow



CODE	SIZE	BOX QTY	PACK QTY	PRICE €
427001	15mm x 1/2"	-	10	

### 448 Reducing Set



CODE	SIZE	BOX QTY	PACK QTY	PRICE €
448087	10mm x 8mm	-	10	
448097	12mm x 8mm	-	10	
448098	12mm x 10mm	-	10	
448017	15mm x 8mm	-	10	
448018	15mm x 10mm	-	10	
448019	15mm x 12mm	-	10	
448021	22mm x 15mm	-	10	
448039	28mm x 12mm	-	10	
448031	28mm x 15mm	-	10	
448032	28mm x 22mm	-	10	
448041	35mm x 15mm	-	10	
448042	35mm x 22mm	-	10	
448043	35mm x 28mm	-	10	

### 450 Flanged Tank Connector with backnut



CODE	SIZE	BOX QTY	PACK QTY	PRICE €
450001	15mm	-	10	
450002	22mm	-	10	
450003	28mm	-	10	
450004	35mm	-	L	
450005	42mm	-	L	
450006	54mm	-	L	

### 451 Stop End



CODE	SIZE	BOX QTY	PACK QTY	PRICE €
451007	8mm	-	10	
451008	10mm	-	10	
451009	12mm	-	10	
451001	15mm	-	10	
451002	22mm	-	10	
451003	28mm	-	10	
451004	35mm	-	10	
451005	42mm	-	10	

### 467 Gate Valve C x C



CODE	SIZE	BOX QTY	PACK QTY	PRICE €
467001	15mm	-	10	
467002	22mm	-	10	
467003	28mm	-	10	

### 471 Elbow with combined M.T. Plug C x C



CODE	SIZE	BOX QTY	PACK QTY	PRICE €
470003	28mm x 1"	-	L	

### 871 Elbow with Combined M.T Plug M.I x C



CODE	SIZE	BOX QTY	PACK QTY	PRICE €
471002	22mm x 3/4"	-	10	
471003	28mm x 1"	-	L	

### 472 Blank Cap and Washer



CODE	SIZE	BOX QTY	PACK QTY	PRICE €
472001	15mm	-	10	
472002	22mm	-	10	
472003	28mm	-	10	
472004	35mm	-	L	

### 478A Compression Nut



CODE	SIZE	BOX QTY	PACK QTY	PRICE €
478007	8mm	-	100	
478008	10mm	-	100	
478009	12mm	-	100	
478001	15mm	-	100	
478002	22mm	2,000	50	
478003	28mm	400	50	
478004	35mm	250	10	
478005	42mm	135	-	
478006	54mm	77	-	

### 478B Compression Ring



CODE	SIZE	BOX QTY	PACK QTY	PRICE €
479007	8mm	-	100	
479008	10mm	-	100	
479009	12mm	-	100	
479001	15mm	6,000	100	
479002	22mm	2,000	100	
479003	28mm	2,000	50	
479004	35mm	500	L	
479005	42mm	312	-	
479006	54mm	167	-	

Note: Products produced from brass are NOT suitable for use underground.

Note: Products produced from brass are NOT suitable for use underground.

# Solar Fittings Accessories

## Solar Corrugated Pipe / Panel Connection Kit



CODE	DESCRIPTION	PRICE €
774023K	Includes - Four 3/4" B.S.P. nuts. - Four fibre washers - Four stainless steel crimp clips	

CODE	DESCRIPTION	PRICE €
774042	Solar Fibre Washer	



## Smooth Tube Adaptor

CODE	DESCRIPTION	PRICE €
774025DN16	22mm smooth tube adaptor with a 3/4" B.S.P. flat faced end	





# Instantor<sup>®</sup>

## Brass Compression Fittings

**INSTANTOR**  
BRASS COMPRESSION FITTINGS

25  
YEAR  
WARRANTY

**Raising the bar once again for pure water & pure performance.**

Instantor's new Lead-Free Brass compression fittings, are designed and manufactured to meet stricter health standards without compromising on performance. Made from premium CW511L brass, this next-gen range is engineered for modern plumbing needs – and are safe, strong, and seriously reliable.

With growing pressure to cut down on lead in drinking water, the new range is already ahead of the curve. Reassuringly WRAS certified and approved by the National Standards Authority of Ireland (NSAI) to EN 1254-2:2021 with NSF/ANSI/CAN 372 toxicology testing by KIWA, they deliver total confidence in both domestic and commercial installs across the UK and Ireland.

Designed to fit copper and PEX pipes, and available in popular imperial and metric sizes, these fittings are as versatile as they are compliant. No special tools, no messy installs - just a solid seal, every time.

We've taken nearly 100 years of compression fitting expertise and poured it into a cleaner, safer solution. Instantor's lead-free range offers the same trusted performance our customers count on, now with even greater peace of mind. Ready for tomorrow's standards, and built on proven quality - this is the new benchmark in plumbing fittings.

Go lead-free with Instantor.



### FEATURES

**CERTIFIED** - WRAS, KIWA & NASI approved for drinking water use.

**QUICK TO INSTALL** - Flame-free, fast, and mess-free fitting.

**PREMIUM MATERIALS** - Manufactured from high-quality CW511L brass.

**VERSATILE RANGE** - Compatible with copper and PEX, in imperial and metric sizes.

### TECHNICAL SUMMARY

**Max Operating Pressure:** 30°C - 16 Bar | 109°C - 6 Bar

**Min Operating Pressure:** 0 Bar

**Max Operating Temperature:** 110°C

**Min Operating Temperature:** -20°C (flowing water)

**Material:** CW511L Brass

**Lead Free 310  
Straight Coupler C x C**



CODE	SIZE	PACK QTY	PRICE €
310001LF	1/2"	10	
310002LF	3/4"	10	
310003LF	1"	10	
310021LF	3/4" x 1/2"	10	
310032LF	1" x 3/4"	10	

**Lead Free 315  
Elbow C x C**



CODE	SIZE	PACK QTY	PRICE €
315001LF	1/2"	10	
315002LF	3/4"	10	
315003LF	1"	10	

**Lead Free 318  
Equal Tee C x C x C**



CODE	SIZE	PACK QTY	PRICE €
318001LF	1/2"	10	
318002LF	3/4"	10	
318003LF	1"	10	

**Lead Free 327  
Swivel Elbow**



CODE	SIZE	PACK QTY	PRICE €
327001LF	1/2"	10	
327002LF	3/4"	10	

**Lead Free 311  
Straight Coupler M.I x C**



CODE	SIZE	PACK QTY	PRICE €
311001LF	1/2"	10	
311002LF	3/4"	10	
311003LF	1"	10	
311012LF	1/2" x 3/4"	10	
311021LF	3/4" x 1/2"	10	
311023LF	1" x 3/4"	10	

**Lead Free 316  
Elbow M.I x C**



CODE	SIZE	PACK QTY	PRICE €
316001LF	1/2"	10	
316002LF	3/4"	10	
316003LF	1"	10	

**Lead Free 318  
Reducing Tee C x C x C**



CODE	SIZE	PACK QTY	PRICE €
318212LF	3/4" x 1/2" x 3/4"		
318221LF	3/4" x 3/4" x 1/2"		
318331LF	1" x 1" x 1/2"		
318332LF	1" x 1" x 3/4"		

**Lead Free 330  
Tee C x C x F.I**



CODE	SIZE	PACK QTY	PRICE €
330001LF	1/2"	10	
330002LF	3/4"	10	

**Lead Free 312  
Straight Coupler F.I x C**



CODE	SIZE	PACK QTY	PRICE €
312001LF	1/2"	10	
312002LF	3/4"	10	
312003LF	1"	10	
312012LF	3/4" x 1/2"	10	
312023LF	1" x 3/4"	10	

**Lead Free 317  
Elbow F.I x C**



CODE	SIZE	PACK QTY	PRICE €
317001LF	1/2"	10	
317002LF	3/4"	10	
317003LF	1"	10	

**Lead Free 317W  
Wall Plate Elbow C x C x C**



CODE	SIZE	PACK QTY	PRICE €
319001LF	1/2"	10	

**Lead Free 351  
Stop End**



CODE	SIZE	PACK QTY	PRICE €
351001LF	1/2"	10	
351002LF	3/4"	10	
351003LF	1"	10	

Note: Products produced from brass are NOT suitable for use underground.

Note: Products produced from brass are NOT suitable for use underground.

**Lead Free 410  
Straight Coupler C x C**



CODE	SIZE	PACK QTY	PRICE €
410001LF	15mm	10	
410002LF	22mm	10	
410003LF	28mm	10	
410021LF	22mm x 15mm	10	
410032LF	28mm x 22mm	10	

**Lead Free 411  
Straight Coupler M.I x C**



CODE	SIZE	PACK QTY	PRICE €
411001LF	15mm	10	
411002LF	22mm	10	
411003LF	28mm	10	
411012LF	15mm x 3/4"	10	
411021LF	22mm x 1/2"	10	
411023LF	22mm x 1"	10	

**Lead Free 412  
Straight Coupler F.I x C**



CODE	SIZE	PACK QTY	PRICE €
412001LF	15mm	10	
412002LF	22mm	10	
412003LF	28mm	10	
412012LF	15mm x 3/4"	10	
412023LF	22mm x 1"	10	

**Lead Free 415  
Elbow C x C**



CODE	SIZE	PACK QTY	PRICE €
415001LF	15mm	10	
415002LF	22mm	10	
415003LF	28mm	10	

**Lead Free 416  
Elbow M.I x C**



CODE	SIZE	PACK QTY	PRICE €
416001LF	15mm	10	
416002LF	22mm	10	
416003LF	28mm	10	

**Lead Free 417  
Elbow F.I x C**



CODE	SIZE	PACK QTY	PRICE €
417001LF	15mm	10	
417002LF	22mm	10	
417003LF	28mm	10	

**Lead Free 418  
Equal Tee C x C x C**



CODE	SIZE	PACK QTY	PRICE €
418001LF	15mm	10	
418002LF	22mm	10	
418003LF	28mm	10	

**Lead Free 418  
Reducing Tee C x C x C**



CODE	SIZE	PACK QTY	PRICE €
418212LF	22mm x 15mm x 22mm		
418221LF	22mm x 22mm x 15mm		
418331LF	28mm x 28mm x 15mm		
418332LF	28mm x 28mm x 15mm		

**Lead Free 417W  
Wall Plate Elbow C x C x C**



CODE	SIZE	PACK QTY	PRICE €
419001LF	15mm	10	

**Lead Free 427  
Swivel Elbow**



CODE	SIZE	PACK QTY	PRICE €
427001LF	15mm x 1/2"	10	
427002LF	22mm x 3/4"	10	

**Lead Free 430  
Tee C x C x F.I**



CODE	SIZE	PACK QTY	PRICE €
430001LF	15mm x 15mm x 1/2"	10	
430002LF	22mm x 22mm x 3/4"	10	

**Lead Free 451  
Stop End**



CODE	SIZE	PACK QTY	PRICE €
451001LF	15mm	10	
451002LF	22mm	10	
451003LF	28mm	10	

Note: Products produced from brass are NOT suitable for use underground.

Note: Products produced from brass are NOT suitable for use underground.



# Instantor<sup>®</sup>

## Press System

### INSTANTOR PRESS FITTINGS

50  
YEAR  
GUARANTEE

Instantor Press Fittings can be installed with confidence. The system comes with a reassuring 50 year guarantee on fittings & pipe.

Launched in 2015, and underpinned by ongoing research and development, the range has grown from strength to strength to provide a comprehensive portfolio of products. The Instantor Press System is quick and easy and uses a press tool to crimp the fitting securely on to the pipe. This removes the need for heat based methods such as welding and soldering and can be completed in three simple steps - Cut, Calibrate and Press.

Instantor Pex-Al-Pex is a butt-welded multilayer pipe for use in potable water, underfloor heating and all general heating and plumbing applications. Available in sizes up to 63mm in straight lengths and up to 32mm in coils.

Compliant products are an essential element to the Instantor inventory, within the range there is an insulated multi-layer pipe that features increased insulation and Fire Classification EL (EN13501-17:2007 A1:2209). Compliant with Part L Domestic Table 20.





# Instantor<sup>®</sup>

## Press System

### FEATURES

- **CERTIFIED** - WRAS, KIWA & NSAI Approval on Fittings & Pipe
  - **PREMIUM MATERIALS** - CW617N Brass Body, Stainless Steel 304 Sleeves & EPDM O-Rings
  - **QUICK TO INSTALL** - Installation complete in just 3 steps. Cut, Calibrate & Press
  - **LEAK FREE JOINTS** - Inspection window to check for correct pipe insertion
  - **EXTENSIVE OFFERING** - Sizes from 16mm - 63mm to suit domestic, commercial & industrial applications
- 
- **FLEXIBLE PIPE** - Lightweight pipe that maintains its memory when bent
  - **BUTT WELDED** - Providing a solid & resilient finish which is 100% oxygen & water vapour tight.
  - **DURABLE** - Withstands high temperatures up to 95°C

### INSTALLATION INSTRUCTIONS



#### CUT

1. Cut the pipe squarely to desired length using an appropriate cutting tool.



#### CALIBRATE

2. Insert the reamer into the cut pipe and rotate, pushing slightly to remove all burrs and rough edges. **NOTE** - A poorly calibrated pipe could damage the O-Rings on insertion.



#### PRESS

3. Connect the pipe and fittings and check pipe is fully inserted in the inspection windows. The white of the pipe must be viewable through these holes. **DO NOT USE SEALING AGENTS SUCH AS PTFE TAPE OR JOINTING COMPOUND.** Use TH Profile Jaws to press.

### TECHNICAL SUMMARY

- **Max Operating Pressure:** 10 bar
- **Max Operating Temperature:** 95°C
- **Max Peak Temperature (at 1 hour):** 110°C
- **Application Class:** 2/6 bar, class 5/6 bar
- **Profile:** TH
- **WRAS Approval:** #2304341



# Fittings

## IP10 Straight Coupler

CODE	SIZE	PACK QTY	PRICE €
IP10001	16mm	10	
IP10002	20mm	10	
IP10003	26mm	10	
IP10004	32mm	10	
IP10005	40mm	10	
IP10006	50mm	5	
IP10007	63mm	1	



## IP10 Straight Reducer

CODE	SIZE	PACK QTY	PRICE €
IP10021	20 x 16mm	10	
IP10031	26 x 16mm	10	
IP10032	26 x 20mm	10	
IP10042	32 x 20mm	10	
IP10043	32 x 26mm	10	
IP10052	40 x 20mm	10	
IP10053	40 x 26mm	10	
IP10054	40 x 32mm	10	
IP10056	50 x 40mm	5	
IP10063	50 x 26mm	5	
IP10064	50 x 32mm	5	
IP10074	63 x 32mm	1	
IP10076	63 x 50mm	1	



## IP11 Straight Coupler M.I x PIPE

CODE	SIZE	PACK QTY	PRICE €
IP11001	1/2" M x 16mm	10	
IP11012	1/2" M x 20mm	10	
IP11013	1/2" M x 26mm	10	
IP11021	3/4" M x 16mm	10	
IP11002	3/4" M x 20mm	10	
IP11023	3/4" M x 26mm	10	
IP11032	1" M x 20mm	10	
IP11003	1" M x 26mm	10	
IP11034	1" M x 32mm	10	
IP11004	1 1/4" M x 32mm	10	
IP11045	1 1/4" M x 40mm	10	
IP11056	1 1/2" M x 50mm	5	
IP11057	1 1/2" M x 63mm	1	
IP11066	2" M x 50mm	1	
IP11067	2" M x 63mm	1	



## IP12 Straight Coupler F.I x PIPE

CODE	SIZE	PACK QTY	PRICE €
IP12001	1/2" F x 16mm	10	
IP12013	1/2" F x 26mm	10	
IP12021	3/4" F x 16mm	10	
IP12002	3/4" F x 20mm	10	
IP12023	3/4" F x 26mm	10	
IP12032	1" F x 20mm	10	
IP12003	1" F x 26mm	10	
IP12034	1" F x 32mm	10	
IP12004	1 1/4" F x 32mm	10	
IP12045	1 1/4" F x 40mm	10	
IP12056	1 1/2" F x 50mm	5	
IP12057	1 1/2" F x 63mm	1	



## IP13 Adaptor

CODE	SIZE	PACK QTY	PRICE €
IP13001K	1/2" C x 16mm	10	
IP13002K	3/4" C x 20mm	10	
IP13021K	3/4" C x 16mm	10	
IP13023K	3/4" C x 26mm	10	
IP13033K	1" C x 26mm	10	
IP13034K	1" C x 32mm	10	
IP13011K	15mm C x 16mm	10	
IP13012K	22mm C x 20mm	10	
IP13223K	22mm C x 26mm	10	
IP13035K	28mm C x 32mm	10	



## IP13 Elbow Adaptor

CODE	SIZE	PACK QTY	PRICE €
IP13101K	1/2" C x 16mm	10	
IP13102K	3/4" C x 20mm	10	
IP13110K	15mm C x 16mm	10	
IP13111K	22mm C x 20mm	10	



## IP14 Spigot

CODE	SIZE	PACK QTY	PRICE €
IP14001	16mm x 1/2"	10	
IP14011	16mm x 15mm	10	
IP14002	20mm x 3/4"	10	
IP14022	20mm x 22mm	10	
IP14003	26mm x 3/4"	10	
IP14033	26mm x 22mm	10	
IP14004	26mm x 1"	10	
IP14044	26mm x 28mm	10	
IP14046	32mm x 28mm	10	
IP14047	32mm x 1"	10	



Note: Fittings should be kept in original packaging to prevent O-ring lubrication drying out before use.

Note: Fittings should be kept in original packaging to prevent O-ring lubrication drying out before use.

## IP15 90° Elbow

CODE	SIZE	PACK QTY	PRICE €
IP15001	16mm	10	
IP15002	20mm	10	
IP15003	26mm	10	
IP15004	32mm	10	
IP15005	40mm	5	
IP15006	50mm	1	
IP15007	63mm	1	



## IP15 45° Elbow

CODE	SIZE	PACK QTY	PRICE €
IP15055	40mm	5	
IP15066	50mm	5	



## IP15 Radiator Extension Elbow

CODE	SIZE	PACK QTY	PRICE €
IP15010	16mm x 300mm	10	
IP15011	16mm x 100mm	10	



## IP16 Elbow M.I x PIPE

CODE	SIZE	PACK QTY	PRICE €
IP16001	½" M x 16mm	10	
IP16012	½" M x 20mm	10	
IP16002	¾" M x 20mm	10	
IP16023	¾" M x 26mm	10	
IP16032	1" M x 20mm	10	
IP16003	1" M x 26mm	10	
IP16034	1" M x 32mm	10	
IP16004	1¼" M x 32mm	10	



## IP17 Elbow F.I x PIPE

CODE	SIZE	PACK QTY	PRICE €
IP17001	½" F x 16mm	10	
IP17012	½" F x 20mm	10	
IP17013	½" F x 26mm	10	
IP17002	¾" F x 20mm	10	
IP17023	¾" F x 26mm	10	
IP17032	1" F x 20mm	10	
IP17003	1" F x 26mm	10	
IP17034	1" F x 32mm	10	
IP17004	1¼" F x 32mm	10	
IP17001CP	½" F x 16mm Chrome	10	



## IP18 Equal Tee

CODE	SIZE	PACK QTY	PRICE €
IP18001	16mm	10	
IP18002	20mm	10	
IP18003	26mm	10	
IP18004	32mm	10	
IP18005	40mm	5	
IP18006	50mm	1	
IP18007	63mm	1	



## IP18 Reducing Tee

CODE	SIZE	PACK QTY	PRICE €
IP18112	16 x 16 x 20mm	10	
IP18211	20 x 16 x 16mm	10	
IP18212	20 x 16 x 20mm	10	
IP18221	20 x 20 x 16mm	10	
IP18223	20 x 20 x 26mm	10	
IP18311	26 x 16 x 16mm	10	
IP18312	26 x 16 x 20mm	10	
IP18313	26 x 16 x 26mm	10	
IP18322	26 x 20 x 20mm	10	
IP18323	26 x 20 x 26mm	10	
IP18331	26 x 26 x 16mm	10	
IP18332	26 x 26 x 20mm	10	
IP18334	26 x 26 x 32mm	10	
IP18414	32 x 16 x 32mm	10	
IP18424	32 x 20 x 32mm	10	
IP18432	32 x 26 x 20mm	10	
IP18433	32 x 26 x 26mm	10	
IP18434	32 x 26 x 32mm	10	
IP18441	32 x 32 x 16mm	10	
IP18442	32 x 32 x 20mm	10	
IP18443	32 x 32 x 26mm	10	
IP18552	40 x 40 x 20mm	5	
IP18553	40 x 40 x 26mm	5	
IP18554	40 x 40 x 32mm	5	
IP18663	50 x 50 x 26mm	1	
IP18664	50 x 50 x 32mm	1	
IP18665	50 x 50 x 40mm	1	
IP18774	63 x 63 x 32mm	1	
IP18775	63 x 63 x 40mm	1	
IP18776	63 x 63 x 50mm	1	



**Note:** Fittings should be kept in original packaging to prevent O-ring lubrication drying out before use.

**Note:** Fittings should be kept in original packaging to prevent O-ring lubrication drying out before use.

## IP19 Wallplate Elbow

CODE	SIZE	PACK QTY	PRICE €
IP19001	½" F x 16mm	10	
IP19012	½" F x 20mm	10	



## IP30 Tee

CODE	SIZE	PACK QTY	PRICE €
IP30001	16 x 16 x ½" F	10	
IP30002	20 x 20 x ¾" F	10	
IP30331	26 x 26 x ½" F	10	
IP30003	26 x 26 x 1" F	10	
IP30443	32 x 32 x 1" F	10	



## IP51 Stop End

CODE	SIZE	PACK QTY	PRICE €
IP51001	16mm	10	
IP51002	20mm	10	
IP51003	26mm	10	
IP51004	32mm	10	



## IP20 Nut & Insert Adaptor to Copper Compression

CODE	SIZE	PACK QTY	PRICE €
IP20001	½" x 16mm	10	
IP20002	15mm x 16mm	10	
IP20003	¾" x 20mm	10	
IP20004	1" x 26mm	10	
IP20005	22mm x 20mm	10	
IP20006	28mm x 26mm	10	
IP20001CP	½" x 16mm	10	
IP20002CP	15mm x 16mm	10	



IP20002CP is suitable for use with all 15mm Sanbra Fyffe Standard TRV's and Rad Valves.

## IP20 Press Adaptor to Copper Compression

CODE	SIZE	PACK QTY	PRICE €
IP20060	½" x 16mm	10	
IP20061	15mm x 16mm	10	
IP20062	¾" x 20mm	10	



**Note:** Fittings should be kept in original packaging to prevent O-ring lubrication drying out before use.

## IP21 Press Adaptor to Copper Press

CODE	SIZE	PACK QTY	PRICE €
IP21001	16mm x 15mm	10	
IP21002	20mm x 22mm	10	
IP21003	26mm x 28mm	10	
IP21004	16mm x ½"	10	
IP21005	20mm x ¾"	10	
IP21006	26mm x 1"	10	



## Shower Bracket

CODE	SIZE	PACK QTY	PRICE €
IP93001	16mm		



## IP27 Tap Connector

CODE	SIZE	PACK QTY	PRICE €
IP27001*	16mm x 15mm	10	



## IP70 Tap Isolating Valve

CODE	SIZE	PACK QTY	PRICE €
IP700051*	16mm x ½"		
IP700049*	16mm x 15mm		



## IP80 Lever Ball Valve

CODE	SIZE	PACK QTY	PRICE €
IP80001*	16mm	10	
IP80002*	20mm	5	
IP80003*	26mm	5	
IP80004*	32mm	5	

Please specify red or blue handles when ordering (use 'R' or 'B' after code above)



## Flexible Hoses

CODE	SIZE	PACK QTY	PRICE €
IP700110*	½" X 16mm IP x 300mm	-	
IP700109*	½" X 16mm IP x 500mm	-	



## Thermostatic Radiator Valves

CODE	SIZE	PACK QTY	PRICE €
IP771095*	16mm TRV Only	-	
IP771096*	16mm TRV Pack	-	

\*Not WRAS Approved

**Note:** Fittings should be kept in original packaging to prevent O-ring lubrication drying out before use.



## Brass Manifolds

CODE	SIZE	PRICE €
771871C*	¾" x ½" x 2 Port + IP Adaptor	
771872C*	1" x ½" x 2 Port + IP Adaptor	
771874C*	¾" x ½" x 3 Port + IP Adaptor	
771875C*	1" x ½" x 3 Port + IP Adaptor	
771877C*	¾" x ½" x 4 Port + IP Adaptor	
771878C*	1" x ½" x 4 Port + IP Adaptor	



## IP Brass Manifolds with Fixed Adaptors

CODE	SIZE	PRICE €
IP771871*	¾" x 16mm 2 Port Manifold	
IP771874*	¾" x 16mm 3 Port Manifold	
IP771877*	¾" x 16mm 4 Port Manifold	
IP771872*	1" x 16mm 2 Port Manifold	
IP771875*	1" x 16mm 3 Port Manifold	
IP771878*	1" x 16mm 4 Port Manifold	



## IP WRAS Approved Brass Manifold

CODE	SIZE	PRICE €
771871PWK	¾" x 16mm 2 Port Manifold	
771874PWK	¾" x 16mm 3 Port Manifold	
771877PWK	¾" x 16mm 4 Port Manifold	
771872PWK	1" x 16mm 2 Port Manifold	
771875PWK	1" x 16mm 3 Port Manifold	
771878PWK	1" x 16mm 4 Port Manifold	



## IP WRAS Approved Brass Manifold

CODE	SIZE	PRICE €
771897PWK	1" x ¾" x 4 Port Manifold	
771896PWK	1" x ¾" x 3 Port Manifold	
771879PWK	1" x ¾" x 2 Port Manifold	



## IP Brass Manifolds - with ISO Valves

CODE	SIZE	PRICE €
IP771892*	¾" x 16mm 2 Port Manifold with ISO Valve	
IP771894*	¾" x 16mm 3 Port Manifold with ISO Valve	
IP771895*	¾" x 16mm 4 Port Manifold with ISO Valve	
IP771893*	1" x 16mm 2 Port Manifold with ISO Valve	



## IP Manifold Blank

CODE	SIZE	PRICE €
IP51011*	½"	



**Note:** Fittings should be kept in original packaging to prevent O-ring lubrication drying out before use.





# Instantor<sup>®</sup>

## Press System

INSTANTOR  
LEAK BEFORE PRESS

50  
YEAR  
WARRANTY

Introducing Leak Before Press –  
Your Built-In Safety Net.

LBP

Because nobody wants a callback.

Every installer knows the pressure of tight deadlines and the risks that come with a single missed press. One unsealed fitting can lead to water damage, customer complaints, and costly callbacks. That's why Instantor has introduced a Leak Before Press (LBP) option to its Press System solutions, a smart, fail-safe feature that gives you peace of mind on every job.

In water-based applications, LBP fittings are designed to visibly leak under low pressure if they haven't been pressed. This creates an immediate visual alert, allowing you to identify and correct any missed fittings before leaving the site. It's a simple yet highly effective way to catch small mistakes early and avoid major headaches later.

The new LBP Press Fittings are an alternative option to the original, trusted Instantor Press Fittings, with no compromise on the quality or durability you expect. Manufactured from CW617N brass and 304 stainless steel, these fittings are built to last and deliver a tight, secure, and guaranteed leak-free seal. They're available in sizes up to 32mm and pair perfectly with our Instantor Pex-Al-Pex pipe.

By helping you spot issues before they cause problems, LBP fittings save valuable time on every install. Backed by a 50-year warranty on both fittings and pipe, this is another example of how Instantor is committed to delivering smarter, safer, and more efficient plumbing solutions.





# Instantor®

## Press System

### FEATURES

- **FAIL-SAFE DESIGN** - Unpressed joints leak by design, providing instant visual alert
- **FAST ISSUE DETECTION** - Easily spot and press missed connections before handover
- **REDUCED CALLBACKS** - Helps eliminate hidden leaks and post-installation issues
- **TIME-SAVING SOLUTION** - Simple enhancement that adds major peace of mind
- **DURABLE BUILD** - Made from CW617N brass and 304 stainless steel for long-term reliability
- **COMPATIBLE SIZING** - Available in sizes up to 32mm to suit a range of installations

LBP

### INSTALLATION INSTRUCTIONS



#### CUT

1. Cut the pipe squarely to desired length using an appropriate cutting tool.



#### CALIBRATE

2. Insert the reamer into the cut pipe and rotate, pushing slightly to remove all burrs and rough edges.

NOTE - A poorly calibrated pipe could damage the O-Rings on insertion.



#### PRESS

3. Connect the pipe and fittings and check pipe is fully inserted in the inspection windows. The white of the pipe must be visible through these holes.

DO NOT USE SEALING AGENTS SUCH AS PTFE TAPE OR JOINTING COMPOUND.

Use TH Profile Jaws to press.

### TECHNICAL SUMMARY

- **Max Operating Pressure:** 10 bar
- **Max Operating Temperature:** 95°C
- **Max Peak Temperature (at 1 hour):** 110°C
- **Application Class:** 2/6 bar, class 5/6 bar
- **Profile:** TH

### LBP IP10 Straight Coupler



CODE	SIZE	PACK QTY	PRICE €
IP10001LBP	16mm	10	
IP10002LBP	20mm	10	
IP10003LBP	26mm	10	
IP10004LBP	32mm	10	

### LBP IP10 Straight Reducer



CODE	SIZE	PACK QTY	PRICE €
IP10021LBP	20mm x 16mm	10	
IP10031LBP	26mm x 16mm	10	
IP10032LBP	26mm x 20mm	10	
IP10042LBP	32mm x 20mm	10	
IP10043LBP	32mm x 26mm	10	

### LBP IP11 Straight Coupler M.I



CODE	SIZE	PACK QTY	PRICE €
IP11001LBP	1/2" M x 16mm	10	
IP11002LBP	3/4" M x 20mm	10	
IP11003LBP	1" M x 26mm	10	
IP11004LBP	1 1/4" M x 32mm	10	
IP11012LBP	1/2" M x 20mm	10	
IP11021LBP	3/4" M x 16mm	10	
IP11023LBP	3/4" M x 26mm	10	
IP11032LBP	1" M x 20mm	10	
IP11034LBP	1" M x 32mm	10	

### LBP IP12 Straight Coupler F.I



CODE	SIZE	PACK QTY	PRICE €
IP12001LBP	1/2" F x 16mm	10	
IP12002LBP	3/4" F x 20mm	10	
IP12003LBP	1" F x 26mm	10	
IP12004LBP	1 1/4" F x 32mm	10	
IP12012LBP	1/2" F x 20mm	10	
IP12021LBP	3/4" F x 16mm	10	
IP12023LBP	3/4" F x 26mm	10	
IP12032LBP	1" F x 20mm	10	
IP12034LBP	1" F x 32mm	10	

### LBP IP13 Adaptor



CODE	SIZE	PACK QTY	PRICE €
IP13001LBP	1/2" C x 16mm	10	
IP13002LBP	3/4" C x 20mm	10	
IP13021LBP	3/4" C x 16mm	10	
IP13023LBP	3/4" C x 26mm	10	
IP13033LBP	1" C x 26mm	10	
IP13034LBP	1" C x 32mm	10	
IP13011LBP	15mm C x 16mm	10	
IP13012LBP	22mm C x 20mm	10	
IP13223LBP	22mm C x 26mm	10	
IP13035LBP	28mm C x 32mm	10	

### LBP IP13 Elbow Adaptor



CODE	SIZE	PACK QTY	PRICE €
IP13101ALBP	1/2" C x 16mm	10	
IP13102ALBP	3/4" C x 20mm	10	
IP13110ALBP	15mm C x 16mm	10	

### LBP IP14 Spigot



CODE	SIZE	PACK QTY	PRICE €
IP14001LBP	16mm x 1/2"	10	
IP14002LBP	20mm x 3/4"	10	
IP14003LBP	26mm x 3/4"	10	
IP14004LBP	26mm x 1"	10	
IP14011LBP	16mm x 15mm	10	
IP14022LBP	20mm x 22mm	10	
IP14033LBP	26mm x 22mm	10	
IP14044LBP	26mm x 28mm	10	
IP14046LBP	32mm x 28mm	10	
IP14047LBP	32mm Press x 1"	10	

### LBP IP15 Elbow



CODE	SIZE	PACK QTY	PRICE €
IP15001LBP	16mm	10	
IP15002LBP	20mm	10	
IP15003LBP	26mm	10	
IP15004LBP	32mm	10	

### LBP IP15 45 Degree Elbow



CODE	SIZE	PACK QTY	PRICE €
IP15044	32mm	10	

### LBP IP15 Radiator Extension Elbow



CODE	SIZE	PACK QTY	PRICE €
IP15010LBP	16mm x 300mm	10	
IP15011LBP	16mm x 100mm	10	

### LBP IP16 Elbow M.I



CODE	SIZE	PACK QTY	PRICE €
IP16001LBP	1/2" M x 16mm	10	
IP16002LBP	3/4" M x 20mm	10	
IP16003LBP	1" M x 26mm	10	
IP16004LBP	1 1/4" M x 32mm	10	
IP16023LBP	3/4" M x 26mm	10	
IP16032LBP	1 M x 20mm	10	
IP16034LBP	1" M x 32mm	10	

### LBP IP17 Elbow F.I



CODE	SIZE	PACK QTY	PRICE €
IP17001LBP	1/2" F x 16mm	10	
IP17002LBP	3/4" F x 20mm	10	
IP17003LBP	1" F x 26mm	10	
IP17004LBP	1 1/4" F x 32mm	10	
IP17012LBP	1/2" F x 20mm	10	
IP17013LBP	1/2" F x 26mm	10	
IP17023LBP	3/4" F x 26mm	10	
IP17034LBP	1" F x 32mm	10	

### LBP IP18 Equal Tee



CODE	SIZE	PACK QTY	PRICE €
IP18001LBP	16mm	10	
IP18002LBP	20mm	10	
IP18003LBP	26mm	10	
IP18004LBP	32mm	10	

### LBP IP18 Reducing Tee



CODE	SIZE	PACK QTY	PRICE €
IP18112LBP	16 x 16 x 20mm	10	
IP18211LBP	20 x 16 x 16mm	10	
IP18212LBP	20 x 16 x 20mm	10	
IP18221LBP	20 x 20 x 16mm	10	
IP18223LBP	20 x 20 x 26mm	10	
IP18311LBP	26 x 16 x 16mm	10	
IP18321LBP	26 x 20 x 16mm	10	
IP18313LBP	26 x 16 x 26mm	10	
IP18322LBP	26 x 20 x 20mm	10	
IP18323LBP	26 x 20 x 26mm	10	
IP18331LBP	26 x 26 x 16mm	10	
IP18332LBP	26 x 26 x 20mm	10	
IP18334LBP	26 x 26 x 32mm	10	
IP18414LBP	32 x 16 x 32mm	10	
IP18424LBP	32 x 20 x 32mm	10	
IP18432LBP	32 x 26 x 20mm	10	
IP18433LBP	32 x 26 x 26mm	10	
IP18434LBP	32 x 26 x 32mm	10	
IP18441LBP	32 x 32 x 16mm	10	
IP18442LBP	32 x 32 x 20mm	10	
IP18443LBP	32 x 32 x 26mm	10	

### LBP IP19 Wallplate Elbow



CODE	SIZE	PACK QTY	PRICE €
IP19001LBP	1/2" F x 16mm	10	
IP19012LBP	1/2" F x 20mm	10	

### LBP IP20 Press Adaptor to Copper Compression



CODE	SIZE	PACK QTY	PRICE €
IP20060LBP	16mm x 1/2"	10	
IP20061LBP	16mm x 15mm	10	
IP20062LBP	3/4" x 20mm	10	
IP20063LBP	3/4" x 26mm	10	
IP20065LBP	22 x 26mm	10	
IP20634LBP	32 x 28mm	10	
IP20642LBP	32mm x 3/4"	10	
IP20643LBP	32mm x 1"	10	

### LBP IP21 Press Adaptor to Copper Press



CODE	SIZE	PACK QTY	PRICE €
IP21001LBP	16mm x 15mm	10	
IP21012LBP	20mm x 15mm	10	
IP21002LBP	20mm x 22mm	10	
IP21003LBP	26mm x 28mm	10	
IP21004LBP	16mm x 1/2"	10	
IP21005LBP	20mm x 3/4"	10	
IP21006LBP	26mm x 1"	10	
IP21034LBP	32mm x 28mm	10	

### LBP IP27 Tap Connector



CODE	SIZE	PACK QTY	PRICE €
IP27001LBP	1/2" x 16mm	10	
IP27002LBP	1/2" x 20mm	10	

### LBP IP30 Tee



CODE	SIZE	PACK QTY	PRICE €
IP30001LBP	16 x 16 x 1/2" F	10	
IP30002LBP	20 x 20 x 3/4" F	10	
IP30003LBP	26 x 26 x 1" F	10	
IP30331LBP	26 x 26 x 1/2" F	10	
IP30443LBP	32 x 32 x 1" F	10	

### LBP IP50 Tank Connector



CODE	SIZE	PACK QTY	PRICE €
IP50003LBP	1" x 26mm	10	

### LBP IP51 Stop End



CODE	SIZE	PACK QTY	PRICE €
IP51001LBP	16mm	10	
IP51002LBP	20mm	10	
IP51003LBP	26mm	10	
IP51004LBP	32mm	10	

### LBP Shower Bracket



CODE	SIZE	PACK QTY	PRICE €
IP93001LBP	16mm	10	

### LBP Isolating Valve



CODE	SIZE	PACK QTY	PRICE €
IP711051LBP	16mm x 1/2" M.I	10	

### LBP Stop Cock



CODE	SIZE	PACK QTY	PRICE €
IP771022LBP	20mm	10	



# Instantor<sup>®</sup>

## Pex-Al-Pex Pipe

INSTANTOR  
PEX-AL-PEX PIPE

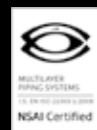


### The Pipe That Works As Hard As You Do.

We know your time is valuable, and the last thing you need is a pipe that doesn't perform. That's why Instantor Pex-Al-Pex multilayer pipe is built to give you reliability you can trust, whether you're tackling potable water, underfloor heating, or general plumbing and heating installations.

Certified to EN ISO 21003 and WRAS-approved, this pipe combines the durability of metal with the flexibility of plastic. Its aluminium layer keeps its shape after bending, while the PE-xB inner layer ensures total hygiene and corrosion resistance.

No call backs, no headaches –  
just a robust solution that gets the job done.





# Instantor®

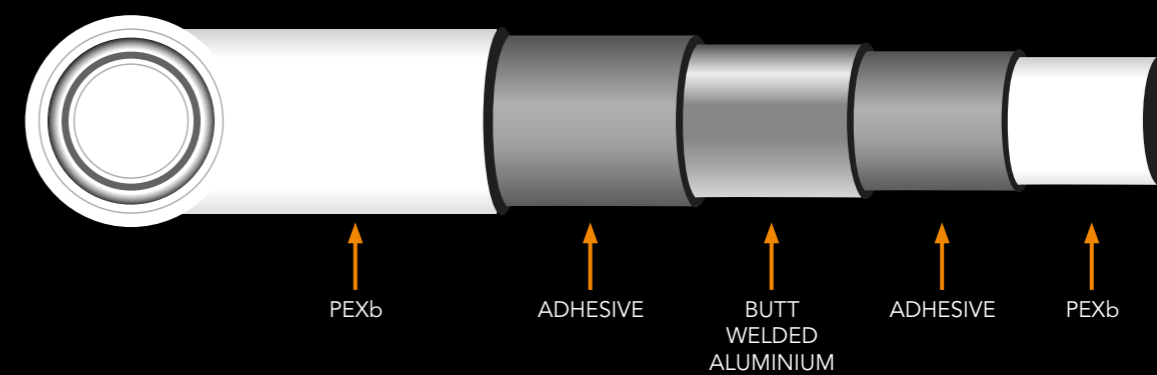
## Pex-Al-Pex Pipe

### FEATURES

- **FLEXIBLE PIPE** - Lightweight pipe that maintains its memory when bent
- **BUTT WELDED** - Providing a solid & resilient finish which is 100% oxygen & water vapour tight
- **DURABLE** - Withstands high temperatures up to 95°C
- **VERSATILE** - Suitable for use in underfloor heating, potable water & most general plumbing applications
- **DIVERSE RANGE** - Available from 16mm-63mm in plain and insulated options

### TECHNICAL SUMMARY

- **Max Operating Pressure:** 10 bar
- **Max Operating Temperature:** 95°C
- **Max Peak Temperature (at 1 hour):** 110°C
- **Application Class:** 2/6 bar, class 5/6 bar
- **Profile:** TH
- **WRAS Approval:** #2304341





## Product Overview

**INSTANTOR® Pex-Al-Pex** (PE-xB/Al/PE-xB) is a multilayer pipe NSAI Certified to EN ISO 21003 and WRAS approved, combining all the advantages of metal and plastic pipe.

This pipe is constructed with a double inner and outer layer of Silane method crosslinked polyethylene PE-xB, then bound by quality adhesive to a longitudinally TIG butt welded

100% oxygen tight aluminium layer. It is this aluminium layer that allows the pipe to maintain its shape after bending. Total hygiene and high corrosion resistance is ensured as fluids come in contact with the inner PE-xB layer only.

**MULTI APPLICATIONS: Potable water, underfloor heating and all general plumbing and heating applications.**



### INSTANTOR® PEXB/AL/PEXB Pipe Lengths

CODE	SIZE	BUNDLE QTY	PRICE €
IPAP111	16mm x 4M	50	
IPAP112	20mm x 4M	35	
IPAP113	26mm x 4M	20	
IPAP114	32mm x 4M	12	
IPAP115	40mm x 4M	6	
IPAP116	50mm x 4M	5	
IPAP117	63mm x 4M	5	



### INSTANTOR® PEXB/AL/PEXB Pipe Coils

CODE	SIZE	PALLET QTY	PRICE €
IPAP101	16mm x 100M	10	
IPAP102	20mm x 100M	10	
IPAP103	26mm x 50M	10	
IPAP104	32mm x 50M	10	
IPAP105	16mm x 500M	5	
IPAP107	16mm x 200M	5	

## INSTANTOR® PEXB/AL/PEXB PIPE Technical Specifications

UNIT OF MEASUREMENT		IPAP101 IPAP111	IPAP102 IPAP112	IPAP103 IPAP113	IPAP104 IPAP114	IPAP105 -	IPAP107 -	- IPAP115	- IPAP116	- IPAP117
Outer Diameter	mm	16	20	26	32	16	16	40	50	63
Inner Diameter	mm	12	16	20	26	12	12	32	41	51
Weight	kg/M	0.112	0.148	0.266	0.362	0.112	0.112	0.557	0.797	1.270
Thickness of Aluminium	mm	0.25	0.3	0.35	0.5	0.25	0.25	0.5	0.5	0.6
Total Thickness	mm	2	2	3	3	2	2	4	4.5	6
Coils Length	M	100	100	50	50	500	200	-	-	-
Straight Lengths	M	4	4	4	4	-	-	4	4	4
Volume of water	l/m	0.113	0.201	0.314	0.531	0.113	0.113	0.803	1.319	2.014
Internal roughness	µm	7								
Thermal conductivity at Delta T 40°C	W/mk	0.43								
Coefficient of expansion	mm/m°C	0.025								
Degree of crosslinking	°C	≥65°C								
Oxygen permeability	mg/l	0								
Colour		White								
Type		PE-xB/Al/PE-xB multilayer pipe								
Field of application		Plumbing in civil, industrial and commercial applications								
Fluid		Potable water, technical water, and water glycol(*)								
Max peak temperature	°C	110								
Minimum operating temperature(*)	°C	0								
Maximum operating pressure at 95°C	bar	6								
Maximum operating pressure at 20°C	bar	10								
Duration at 95°C and 6 bar		Time duration to be determined by service conditions								
Storage		Avoid prolonged exposure to direct sunlight								
Minimum bend radius		5 times the diameter								

(\*) In the case of water glycol, in order to define the minimum operating temperature, it is necessary to know the elements of the mixture and the various concentrations.

## Application Class Table (ISO 21003-1)

Application Class	Design Temperature TD °C	Time <sup>b</sup> at TD Years	T <sub>max</sub> °C	Time at T <sub>max</sub> years	T <sub>mal</sub> °C	Time at T <sub>mal</sub> h	Typical field of application
1 <sup>a</sup>	60	49	80	1	95	100	Hot water supply (60°C)
2 <sup>a</sup>	70	49	80	1	95	100	Hot water supply (70°C)
4 <sup>b</sup>	20 + Cumulative 40 + Cumulative 60	2.5 20 25	70	2.5	100	100	Underfloor heating and low-temperature radiators
5 <sup>b</sup>	20 + Cumulative 60 + Cumulative 80	14 25 10	90	1	100	100	High-temperature radiators

<sup>a</sup> A country may select either class 1 or class 2 in conformity with its nation regulations.

<sup>b</sup> Where more than one design temperature for time and associated temperature appears for any class, they should be aggregated. "Plus cumulative" in the table implies a temperature profile of the mentioned temperature over time (e.g. the design temperature profile for 50 years for class 5 is 20°C for 14 years followed by 60°C for 25 years, 80°C for 10 years, 90°C for 1 year and 100°C for 100h).

NOTE: For values of T<sub>D</sub>, T<sub>max</sub> and T<sub>mal</sub> in excess of those in the table, this International Standard does not apply. In the case of water glycol, in order to define the minimum operating temperature, it is necessary to know the elements of the mixture and the various concentrations.

## Product Overview

**INSTANTOR® PEX-AL-PEX (PE-xB/Al/PE-xB) INSULATED** multilayer pipe is an insulated multilayer pipe for multi-applications.

Enclosed in a scratch resistant, closed cell polyethylene foam insulating sheath, this pipe is constructed with a double inner and outer layer of Silane method crosslinked polyethylene PE-xB, then bound by quality adhesive to a butt welded 100% oxygen tight aluminium layer. It is this aluminium layer that allows the pipe to maintain its shape after bending.

Total hygiene and high corrosion resistance is ensured as fluids come in contact with the inner PE-xB layer only.

**MULTI APPLICATIONS: Potable water and all general plumbing and heating applications.**



WHITE		RED		BLUE		SIZE	PALLET QTY
CODE		CODE		CODE			
IPAP201		IPAP301		IPAP401		16 x 100M	10
IPAP202		IPAP302		IPAP402		20 x 50M	10
IPAP203		IPAP303		IPAP403		26 x 25M	10
IPAP204		IPAP304		IPAP404		32 x 25M	10
IPAP205		-		-		26 x 50M	-

## Increased Insulation

CODE	SIZE	THICKNESS	COLOUR	PALLET QTY	PRICE €
IPAP501	16mm x 50m	9mm	WHITE	20	
IPAP502	20mm x 50m	13mm	WHITE	10	
IPAP503	26mm x 25m	13mm	WHITE	14	
IPAP504	32mm x 25m	13mm	WHITE	14	

## Increased Insulation Part L Compliant

CODE	SIZE	THICKNESS	COLOUR	PALLET QTY	PRICE €
IPAP1101	16mm x 25m	17mm	WHITE	10	
IPAP1102	20mm x 25m	17mm	WHITE	10	
IPAP1103	26mm x 25m	19mm	WHITE	8	

## Increased Insulation Part L Compliant + BL Rated Insulation

CODE	SIZE	THICKNESS	COLOUR	PALLET QTY	PRICE €
IPAP701	16mm x 25m	17mm	GREY	10	
IPAP702	20mm x 25m	17mm	GREY	10	
IPAP703	26mm x 25m	19mm	GREY	8	

## INSTANTOR® PEXB/AL/PEXB Insulation Pipe Coils Technical Specifications

See page 51 for Application Class Table (ISO 21003-1)

Codes	UOM	IPAP201 IPAP301 IPAP401	IPAP202 IPAP302 IPAP402	IPAP203 IPAP303 IPAP403	IPAP204 IPAP304 IPAP404	IPAP205	IPAP501	IPAP502	IPAP503	IPAP504	IPAP1101	IPAP1102	IPAP1103	IPAP701	IPAP702	IPAP703
Outer Diameter	mm	16	20	26	32	26	16	20	26	32	16	20	26	16	20	26
Weight	kg/m	0.167	0.201	0.342	0.450	0.342	0.231	0.250	0.382	0.484						
Insulation Thickness (round)	mm	6	6	8	8	8	9	13	13	13	17	17	19	17	17	19
Diameter Pipe + Sheath	mm	28	32	42	48	42	34	46	52	58	50	54	64	50	54	64
Thickness of Aluminium	mm	0.25	0.3	0.35	0.5	0.35	0.25	0.3	0.35	0.5	0.25	0.3	0.35	0.25	0.3	0.35
Coil Length	m	100	50	25	25	50	50	50	25	25	25	25	25	25	25	25
Volume of Water	l/m	0.113	0.201	0.314	0.532	0.314	0.113	0.201	0.314	0.531	0.113	0.201	0.314	0.113	0.201	0.314
Internal Roughness	µm	7														
Thermal Conductivity at 20°C - Insulation	W/mk	0.0397														
Coefficient of Expansion	mm/m °C	0.025														
Density - Foam	kg/m³	35-45														
Degree of Crosslinking	%	≥65%														
Oxygen Permeability	mg/l	0														
Colour	-	White/Red/Blue	White/Red/Blue	White/Red/Blue	White/Red/Blue	White	White						Grey			
Pipe Material	-	PE-xB/Al/PE-xB multilayer pipe														
Sheath Material	-	Closed - Cell polyethylene Foam PE-LD														
Scratch-resistant Finishing Layer	-	Closed - Cell polyethylene Foam PE-LD														
Field of Application	-	Plumbing in civil, industrial and commercial applications														
Fluid	-	Potable water, technical water, and water glycol(*)														
Max Peak Temperature	°C	110														
Minimum Operating Temperature(**)	°C	0														
Maximum Operating Pressure at 95°C	bar	6														
Maximum Operating Pressure at 20°C	bar	10														
Duration at 95°C and 6 bar	-	Time duration to be determined by service conditions														
Storage	-	Avoid prolonged exposure to direct sunlight														
Minimum Bend Radius(**)	Ø	5 times the diameter														
Fire Classification EN13501	-	B2 (DIN 4102) / EL (EN13501)												BL-S1-d0 (EN13501)		
Insulation Min/Max Service temperature	°C	ST(-20°C) - ST(+90°C)														
Determination of Trace Quantities of Soluble Ions per EN13468	mg/kg	Fluoride: Not Detected. Chloride: Not Detected. Silicate: Not Detected. Sodium: Not Detected														
Determination of PH per EN13468 (Insulation)	PH	7.5														
Water absorption per EN13472	kg/m²	0.125 - Classification 'W05'														
Regulation (EC) No.1005/2009 amending Regulation (EC) No.744/2010 Ozone Depletion Substances (ODS) Content / US EPA 5021A/8260C		CFCs Group I & II: Not Detected. Halon Group III: Not Detected. CCl4 Group IV: Not Detected. Trichloroethane Group V: Not Detected. Bromos group VI: Not Detected. HBFCs Group VII: Not Detected. HCFCs Group VIII: Not Detected. Bromochloromethane Group IX: Not Detected														

(\*) In the case of water glycol, in order to define the minimum operating temperature, it is necessary to know the elements of the mixture and the various concentrations.  
(\*\*) Take the thickness of the sheath into account when bending a pipe with a bender. eg.: Ø16 sheath: total thickness=28mm, use bender with Ø26 profile.

# Accessories

## IP20 Bending Spring Pack (Internal & External)

CODE	SIZE	BOX QTY	PRICE €
IP20030	16mm	10	
IP20031	20mm	10	
IP20032	26mm	10	
IP20033	32mm	5	



## Pipe Decoiler

CODE	SIZE	BOX QTY	PRICE €
IP20017	Suits All Sizes	-	



## Push Fit Press Test Fitting

CODE	SIZE	PRICE €
IP20071*	16mm Incl Tool	
IP20072*	20mm Incl. Tool	
IP20075*	16mm Removal Tool	
IP20076*	20mm Removal Tool	



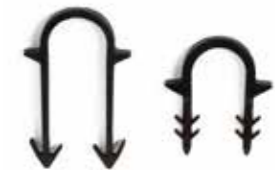
## Pressure Test Gauge

CODE	SIZE	PRICE €
IP20077*	Gauge For Pressure Test Fittings	



## Pipe Staple

CODE	SIZE	BOX QTY	PRICE €
IP20014	16mm x 40mm	30	
IP20012	16mm x 60mm	30	



## Manifold Bracket

CODE	SIZE	BOX QTY	PRICE €
771910	¾"	20	
771911	1"	18	



\*Not WRAS Approved

**Note:** Fittings should be kept in original packaging to prevent O-ring lubrication drying out before use.



# Instantor<sup>®</sup>

## Copper Press

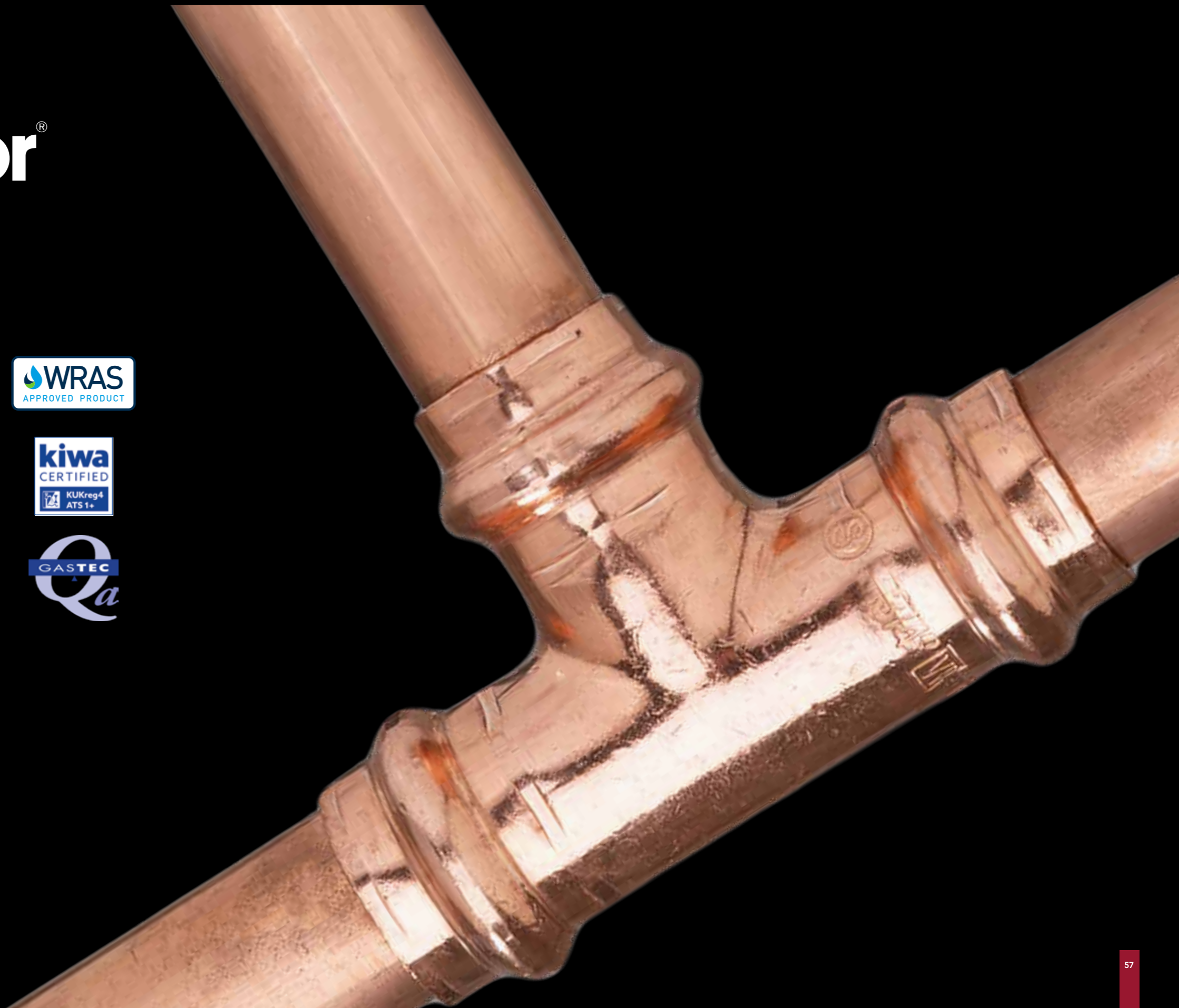
### INSTANTOR COPPER PRESS

25  
YEAR  
ANNIVERSARY

Instantor Copper Press fittings are available for water and gas applications. A cutting-edge range offering a quality assured solution with flame free jointing for a quicker and safer installation.

Instantor Copper Press has been rigorously evaluated and certified by WRAS & KIWA to reaffirm our dedication to delivering products that consistently meet the highest standard of quality, safety and performance.

The GAS range of fittings are GASTEC QA approved and feature yellow HNBR O-Rings which are also approved to the relevant industry standards. No hot works permit is required and copper press fittings are quicker and more cost-effective to install than traditional plumbing methods.





# Instantor<sup>®</sup>

## Copper Press

### FEATURES

- **CERTIFIED** - WRAS & KIWA approval on fittings
- **SAFER INSTALLATIONS** - Flame free jointing with no requirement for hotworks permit
- **QUICK TO INSTALL** - Installation complete in just 5 steps. Cut, Calibrate, Check, Mark & Press
- **SAVE ON TIME** - 35% faster install than traditional soldering method
- **EXTENSIVE OFFERING** - Available in Imperial & Metric sizing
- **LEAK DETECTION** - EPDM O-Rings designed with feature to identify un-pressed joints during system testing

### INSTALLATION INSTRUCTIONS



CUT

1. Ensure that the fitting is the correct size for the tube being used. Cut the pipe to length using a good quality pipe cutter or rotary pipe cutter. It is important that pipe ends are clean, cut square, and the pipe is not deformed. High speed grinding wheels are not suitable.



CALIBRATE

2. All burrs and sharp edges should be removed. Using a de-burring tool to both the inside and outside of the pipe, leaving an external chamfer. Wipe the pipe end clean. The pipe ends should be free from scratches or scores for a distance not less than the socket depth. **NOTE:** A poorly calibrated pipe could damage the O-ring on insertion.



CHECK

3. Before inserting the pipe, check the O-ring is seated, lubricated and free from damage. (Re-moisten O-ring with water if necessary).



MARK

4. Insert the pipe fully into the socket of the fitting until it hits the pipe stop (or until pipes meet in the middle in fittings without a pipe stop). Mark the insertion depth with black marker to ensure the pipe has been fully inserted before pressing.



PRESS

5. Making sure to select the correct profile Jaw, VI or M for copper press, execute the press cycle. After the press tool cycle is complete remove the Press Jaws and check that the socket depth marking on the pipe has remained in place, adjacent to the mouth of the fitting.

**NOTE:** Fittings should be kept in original packaging to protect the O-ring and prevent drying out of lubrication.

NB: Copper Press water fittings are only suitable for water applications and O rings are not interchangeable with other Instantor Copper Press Products. Only water Copper Press product (indicated with black O-Rings) should be used on water installations and under no circumstances should 'O-rings' be changed or altered.

### TECHNICAL SUMMARY

- **Operating Pressure & Temperatures:**
  - 16bar @ 30°C
  - 10bar @ 95°C
- **Max Operating Temperature:** 110°C
- **Min Operating Temperature:** -25°C

Further technical information available, see page 66.

### SPACING BETWEEN FITTINGS

**Minimum spacing between fittings is recommended as follows:**

- 15mm / 1/2" - 10mm space
- 22mm / 3/4" - 20mm space
- 28mm / 1" - 20mm space
- 32-54mm - 20mm space

### PIPE SUPPORT

Pipe supports should be used to prevent movement and vibration in the finished system.

Maximum bracket distance for copper tube:

15mm / 1/2"	1.8m Vertical	1.2m Horizontal
22mm / 3/4"	2.4m Vertical	1.8m Horizontal
28mm / 1"	2.4m Vertical	1.8m Horizontal
35mm-54mm	3m vertical	2.4m Horizontal

### WARNING

Due care should be taken to prevent damage to copper press fittings and O-rings by heat transfer due to nearby brazing. High temperature can anneal copper pipe making it too soft for press fit along with causing excessive heat damage to the EPDM O-rings. Each fitting and O-ring should be inspected before installation to confirm that there is no damage or defects due to storage or transportation. Do not use fitting if any visual defects are noted.

# WATER

# WATER Imperial Fittings

## CP310 Straight Coupler

CODE	SIZE	PACK QTY	PRICE €
CP310001	1/2"	10	
CP310002	3/4"	10	
CP310003	1"	10	



## CP310 Straight Reducer

CODE	SIZE	PACK QTY	PRICE €
CP310021	3/4" x 1/2"	10	
CP310031	1" x 1/2"	10	
CP310032	1" x 3/4"	10	



## CP310 Slip Coupler

CODE	SIZE	PACK QTY	PRICE €
CP3100S1	1/2"	10	
CP3100S2	3/4"	10	
CP3100S3	1"	10	



## CP311 Straight Coupler M.I x Press

CODE	SIZE	PACK QTY	PRICE €
CP311001	1/2" M x 1/2" Press	10	
CP311002	3/4" M x 3/4" Press	10	
CP311003	1" M x 1" Press	10	



## CP312 Straight Coupler F.I x Press

CODE	SIZE	PACK QTY	PRICE €
CP312001	1/2" F x 1/2" Press	10	
CP312002	3/4" F x 3/4" Press	10	
CP312003	1" F x 1" Press	10	



## CP313 Bent Swivel Connector

CODE	SIZE	PACK QTY	PRICE €
CP313001*	1/2" x 1/2"	10	
CP313002*	3/4" x 3/4"	10	



## CP314 Straight Swivel Connector

CODE	SIZE	PACK QTY	PRICE €
CP314001*	1/2" x 1/2"	10	
CP314002*	3/4" x 3/4"	10	



## CP315 Elbow

CODE	SIZE	PACK QTY	PRICE €
CP315001	1/2"	10	
CP315002	3/4"	10	
CP315003	1"	10	
CP315021	3/4" x 1/2"	10	
CP315031	1" x 1/2"	10	
CP315032	1" x 3/4"	10	



## CP317W Wallplate Elbow

CODE	SIZE	PACK QTY	PRICE €
CP319001	1/2"	10	
CP319002	3/4"	10	



## CP318 Equal Tee

CODE	SIZE	PACK QTY	PRICE €
CP318001	1/2"	10	
CP318002	3/4"	10	
CP318003	1"	10	



## CP318 Reducing Tee

CODE	SIZE	PACK QTY	PRICE €
CP318112	1/2" x 1/2" x 3/4"	10	
CP318211	3/4" x 1/2" x 1/2"	10	
CP318212	3/4" x 1/2" x 3/4"	10	
CP318221	3/4" x 3/4" x 1/2"	10	
CP318223	3/4" x 3/4" x 1"	10	
CP318311	1" x 1/2" x 1/2"	5	
CP318312	1" x 1/2" x 3/4"	5	
CP318313	1" x 1/2" x 1"	5	
CP318321	1" x 3/4" x 1/2"	5	
CP318322	1" x 3/4" x 3/4"	5	
CP318323	1" x 3/4" x 1"	5	
CP318331	1" x 1" x 1/2"	5	
CP318332	1" x 1" x 3/4"	5	



Note: Fittings should be kept in original packaging to prevent O-ring lubrication drying out before use.

\*Not WRAS Approved.

Note: Fittings should be kept in original packaging to prevent O-ring lubrication drying out before use.

\*Not WRAS Approved.

## CP319 Fitting Reducer

CODE	SIZE	PACK QTY	PRICE €
CP319021	3/4" x 1/2"	10	
CP319031	1" x 1/2"	10	
CP319032	1" x 3/4"	10	



## CP325 Obtuse Street Elbow

CODE	SIZE	PACK QTY	PRICE €
CP325001	1/2"	10	
CP325002	3/4"	10	
CP325003	1"	10	



## CP335 Street Elbow

CODE	SIZE	PACK QTY	PRICE €
CP335001	1/2"	10	
CP335002	3/4"	10	
CP335003	1"	10	



## CP345 Obtuse Bend

CODE	SIZE	PACK QTY	PRICE €
CP345001	1/2"	10	
CP345002	3/4"	10	
CP345003	1"	10	



## CP351 Stop End

CODE	SIZE	PACK QTY	PRICE €
CP351001	1/2"	10	
CP351002	3/4"	10	
CP351003	1"	10	



## CP368 633 M.T Cock

CODE	SIZE	PACK QTY	PRICE €
CP368001*	1/2" Press	10	



## IP21 Press Adaptor to Copper Press

CODE	SIZE	PACK QTY	PRICE €
IP21004	16mm x 1/2"	10	
IP21005	20mm x 3/4"	10	
IP21006	26mm x 1"	10	



Note: Fittings should be kept in original packaging to prevent O-ring lubrication drying out before use.

\*Not WRAS Approved.

# WATER Metric Fittings

## CP410 Straight Coupler

CODE	SIZE	PACK QTY	PRICE €
CP410001	15mm	10	
CP410002	22mm	10	
CP410003	28mm	10	
CP410004	35mm	L	
CP410005	42mm	L	
CP410006	54mm	L	



## CP410 Straight Reducer

CODE	SIZE	PACK QTY	PRICE €
CP410021	22mm x 15mm	10	
CP410031	28mm x 15mm	10	
CP410032	28mm x 22mm	10	



## CP410 Slip Coupler

CODE	SIZE	PACK QTY	PRICE €
CP4100S1	15mm	10	
CP4100S2	22mm	10	
CP4100S3	28mm	10	
CP4100S4	35mm	5	
CP4100S5	42mm	2	
CP4100S6	54mm	2	



## CP411 Straight Coupler M.I x Press

CODE	SIZE	PACK QTY	PRICE €
CP411001	1/2" M x 15mm Press	10	
CP411002	3/4" M x 22mm Press	10	
CP411003	1" M x 28mm Press	10	
CP411004	1 1/4" M x 35mm Press	5	
CP411005	1 1/2" M x 42mm Press	2	
CP411006	2" M x 54mm Press	2	



## CP412 Straight Coupler F.I x Press

CODE	SIZE	PACK QTY	PRICE €
CP412001	1/2" F x 15mm Press	10	
CP412002	3/4" F x 22mm Press	10	
CP412003	1" F x 28mm Press	10	
CP412004	1 1/4" F x 35mm Press	5	
CP412005	1 1/2" F x 42mm Press	2	
CP412006	2" F x 54mm Press	2	



## CP413 Bent Swivel Connector

CODE	SIZE	PACK QTY	PRICE €
CP413001*	15mm x 1/2"	10	
CP413002*	22mm x 3/4"	10	



Note: Fittings should be kept in original packaging to prevent O-ring lubrication drying out before use.

\*Not WRAS Approved.

## CP414 Straight Swivel Connector

CODE	SIZE	PACK QTY	PRICE €
CP414001*	15mm x 1/2"	10	
CP414002*	22mm x 3/4"	10	



## CP415 Elbow

CODE	SIZE	PACK QTY	PRICE €
CP415001	15mm	10	
CP415002	22mm	10	
CP415003	28mm	5	
CP415004	35mm	L	
CP415005	42mm	L	
CP415006	54mm	L	
CP415021	22mm x 15mm	10	
CP415031	28mm x 15mm	5	
CP415032	28mm x 22mm	5	



## CP418 Equal Tee

CODE	SIZE	PACK QTY	PRICE €
CP418001	15mm	10	
CP418002	22mm	10	
CP418003	28mm	4	
CP418004	35mm	L	
CP418005	42mm	L	
CP418006	54mm	L	



## CP418 Reducing Tee

CODE	SIZE	PACK QTY	PRICE €
CP418112	15mm x 15mm x 22mm	10	
CP418211	22mm x 15mm x 15mm	10	
CP418212	22mm x 15mm x 22mm	10	
CP418221	22mm x 22mm x 15mm	10	
CP418223	22mm x 22mm x 28mm	5	
CP418311	28mm x 15mm x 15mm	5	
CP418312	28mm x 15mm x 22mm	5	
CP418313	28mm x 15mm x 28mm	5	
CP418321	28mm x 22mm x 15mm	5	
CP418322	28mm x 22mm x 22mm	5	
CP418323	28mm x 22mm x 28mm	5	
CP418331	28mm x 28mm x 15mm	5	
CP418332	28mm x 28mm x 22mm	5	



## CP468 633 M.T Cock

CODE	SIZE	PACK QTY	PRICE €
CP468001*	15mm Press	10	



## CP419 Fitting Reducer

CODE	SIZE	PACK QTY	PRICE €
CP419021	22mm x 15mm	10	
CP419031	28mm x 15mm	10	
CP419032	28mm x 22mm	10	
CP419043	35mm x 28mm	L	
CP419054	42mm x 35mm	L	
CP419065	54mm x 42mm	L	



## CP425 Obtuse Street Elbow

CODE	SIZE	PACK QTY	PRICE €
CP425001	15mm	10	
CP425002	22mm	10	
CP425003	28mm	10	
CP425004	35mm	5	
CP425005	42mm	2	
CP425006	54mm	2	



## CP435 Street Elbow

CODE	SIZE	PACK QTY	PRICE €
CP435001	15mm	10	
CP435002	22mm	10	
CP435003	28mm	10	
CP435004	35mm	5	
CP435005	42mm	2	
CP435006	54mm	2	



## CP445 Obtuse Bend

CODE	SIZE	PACK QTY	PRICE €
CP445001	15mm	10	
CP445002	22mm	10	
CP445003	28mm	10	
CP445004	35mm	5	
CP445005	42mm	2	
CP445006	54mm	2	



## CP451 Stop End

CODE	SIZE	PACK QTY	PRICE €
CP451001	15mm	10	
CP451002	22mm	10	
CP451003	28mm	10	
CP451004	35mm	10	
CP451005	42mm	10	
CP451006	54mm	10	



## IP21 Press Adaptor to Copper Press

CODE	SIZE	PACK QTY	PRICE €
IP21001	16mm x 15mm	10	
IP21002	20mm x 22mm	10	
IP21003	26mm x 28mm	10	



**Note:** Fittings should be kept in original packaging to prevent O-ring lubrication drying out before use.

\*Not WRAS Approved.

**Note:** Fittings should be kept in original packaging to prevent O-ring lubrication drying out before use.



# Instantor®

## Copper Press

### TECHNICAL INFORMATION

#### PRESSING PROFILE:

**VI Profile** - Sizes 1/2", 3/4" & 1"

**M Profile** - Sizes: 15mm, 22mm, 28mm, 35mm, 42mm & 54mm

#### APPLICATION:

Fittings with black EPDM O-Rings are designed for use in hot and cold water services, heating systems\*, chilled water. Instantor Copper press fittings are designed to be used with hard or half hard copper pipe conforming to EN 1057.

\*Excluding solar heating applications, solid fuel primary pipelines and directly buried/embedded applications.

#### SYSTEM TESTING:

Pressure testing on Instantor Copper Press fittings should normally be carried out using clean potable water in accordance with EN806.

All fitting joints installed in the system must remain completely visible and accessible until the system has been successfully leak and pressure tested.

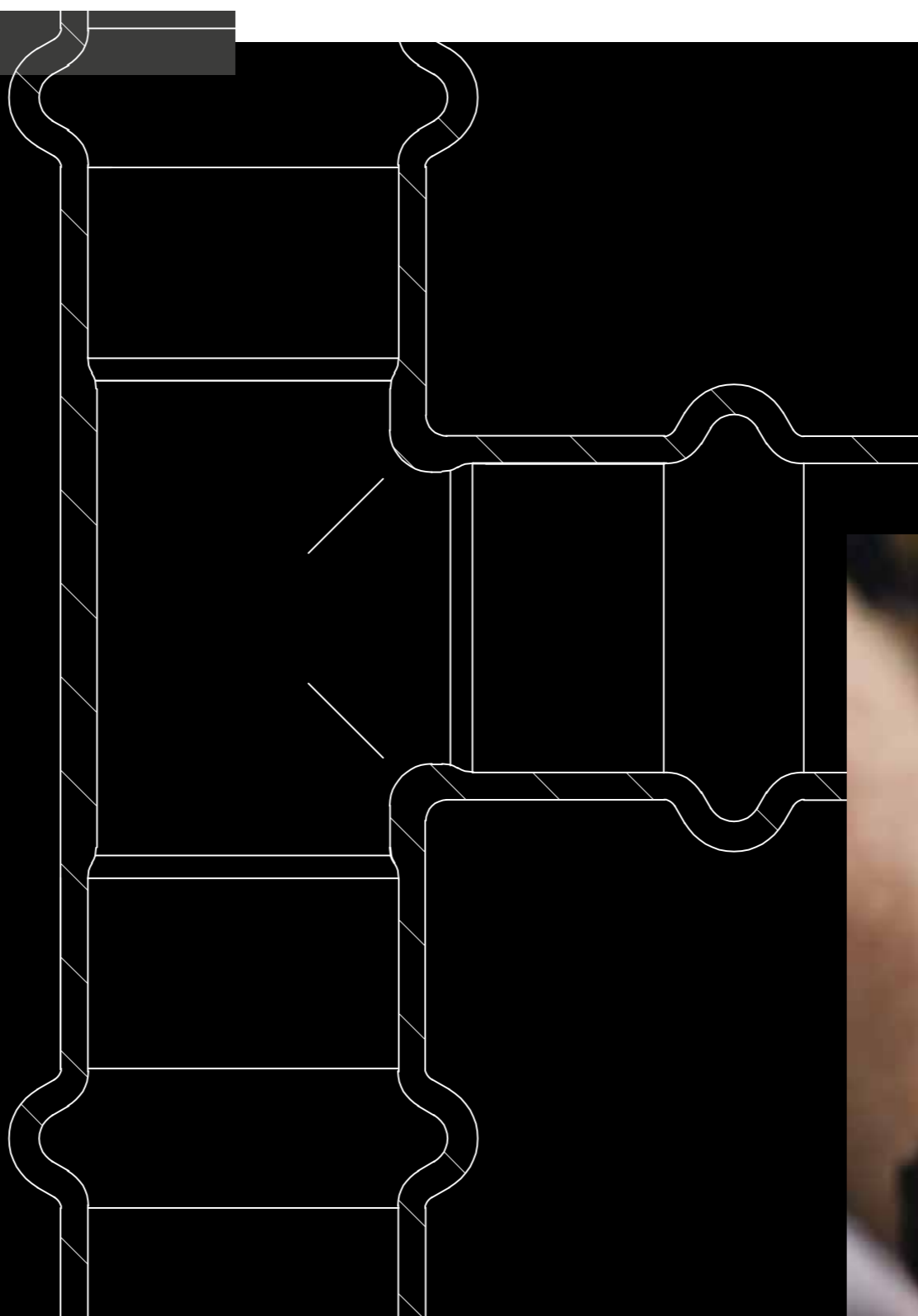
After flushing, fill the system with clean potable water ensuring all trapped air has been expelled. Apply pressure between 1 and 2 bar and perform inspection for un-pressed fittings. If un-pressed fittings are identified, they may be pressed without draining the system. Do not press fittings more than once. When satisfied, no un-pressed fittings remain, increase pressure slowly to the system test pressure. Testing of the system should be carried out in accordance with EN806 to 1.1 times the working pressure (Maximum Design Pressure) of the system.

Full test pressure should hold for a minimum of 30 minutes without any sign of drop in pressure. Final visual inspection should then be carried out to confirm system is leak tight.

#### GUARANTEE:

Copper is known for its durability, corrosion resistance, thermal conductivity, and hygienic qualities. In some cases, (e.g. chilled water lines) external protection may be required to protect against corrosive conditions.

Instantor Copper Press fittings are guaranteed for 25 years provided they have been installed following correct procedure within operating conditions for which they are designed, by a fully qualified plumber using the correct pressing equipment which holds a valid calibration certificate.



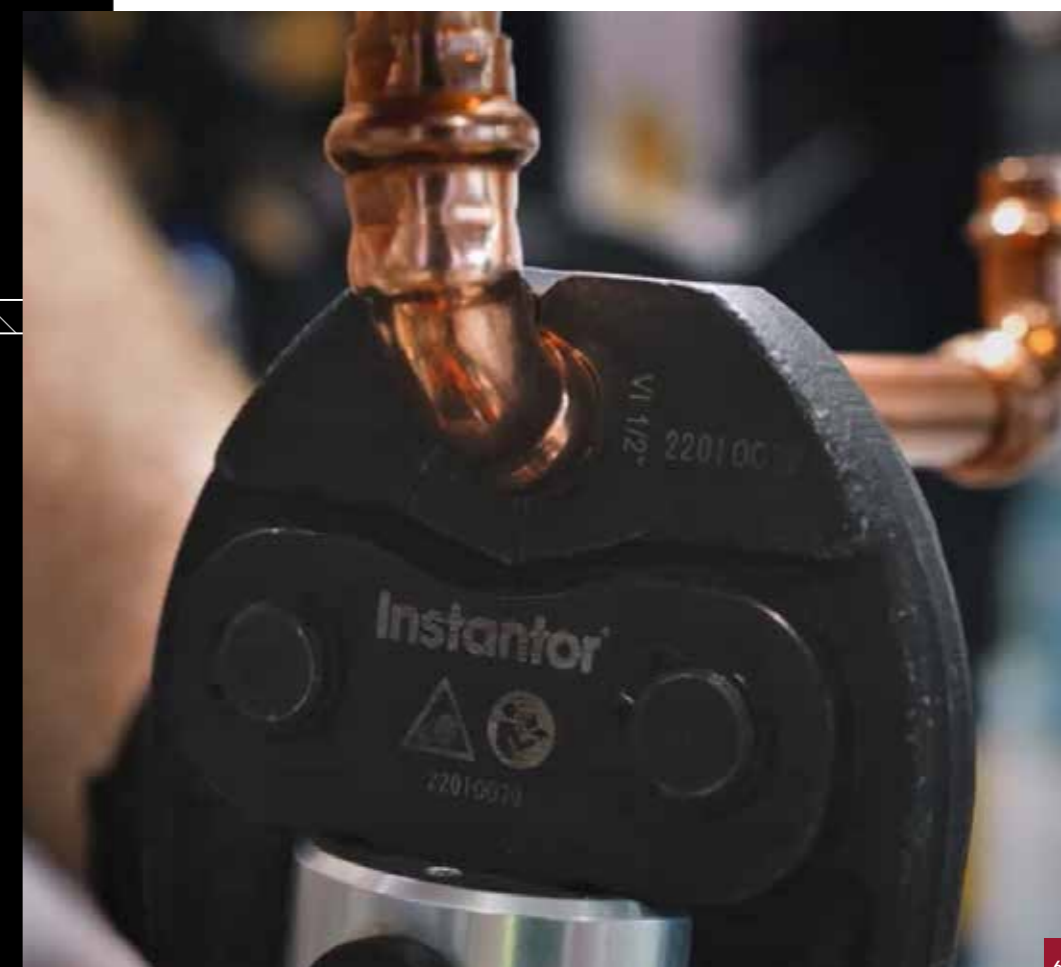
#### CERTIFICATION:



Imperial Instantor Copper Press  
WRAS Approval Number: 2003301 & 2205310  
Metric Instantor Copper Press  
WRAS Approval Number: 240404051 & 2205310



Imperial Instantor Copper Press  
KIWA Certificate Number: 2002711





# Instantor<sup>®</sup>

## Copper Press

### FEATURES

- **CERTIFIED** - KIWA GASTEC approval on fittings
- **SAFER INSTALLATIONS** - Flame free jointing with no requirement for hotworks permit
- **QUICK TO INSTALL** - Installation complete in just 5 steps. Cut, Calibrate, Check, Mark & Press
- **SAVE ON TIME** - 35% faster install than traditional soldering method
- **EXTENSIVE OFFERING** - Available in Imperial & Metric sizing
- **AESTHETIC FINISH** - Neater & cleaner finish with no risk of heat or scorch marks!

### INSTALLATION INSTRUCTIONS



CUT

1. Ensure that the fitting is the correct size for the tube being used. Cut the pipe to length using a good quality pipe cutter or rotary pipe cutter. It is important that pipe ends are clean, cut square, and the pipe is not deformed. High speed grinding wheels are not suitable.



CALIBRATE

2. All burrs and sharp edges should be removed. Using a de-burring tool to both the inside and outside of the pipe, leaving an external chamfer. Wipe the pipe end clean. The pipe ends should be free from scratches or scores for a distance not less than the socket depth. **NOTE:** A poorly calibrated pipe could damage the O-ring on insertion.



CHECK

3. Before inserting the pipe, check the O-ring is seated, lubricated and free from damage. (Re-moisten O-ring with water if necessary\*\*).



MARK

4. Insert the pipe fully into the socket of the fitting until it hits the pipe stop (or until pipes meet in the middle in fittings without a pipe stop). Mark the insertion depth with black marker to ensure the pipe has been fully inserted before pressing.



PRESS

5. Making sure to select the correct profile Jaw ('VI' for Imperial/Irish Instantor Copper Press), execute the press cycle. After the press tool cycle is complete remove the Press Jaws and check that the socket depth marking on the pipe has remained in place, adjacent to the mouth of the fitting.

**NOTE:** Fittings should be kept in original packaging to protect the O-ring and prevent drying out of lubrication.

**NB:** Copper Press gas fittings are only suitable for gas applications and O rings are not interchangeable with other Instantor Copper Press Products. Only gas Copper Press product (indicated with yellow O-Rings) should be used on gas installations and under no circumstances should 'O-rings' be changed or altered.

### TECHNICAL SUMMARY

- **Operating Pressure & Temperatures:**  
Under GASTEC QA 186 approval  
200mbar domestic gaseous fuel  
-20°C to +70°C

General -20°C to +70°C. MOP 5 Bar - External above ground and MOP 1 Bar - within building subject to fire regulations

Further technical information available, see page 74.

### SPACING BETWEEN FITTINGS

**Minimum spacing between fittings is recommended as follows:**

15mm / 1/2" - 10mm space  
22mm / 3/4" - 20mm space  
28mm / 1" - 20mm space

### PIPE SUPPORT

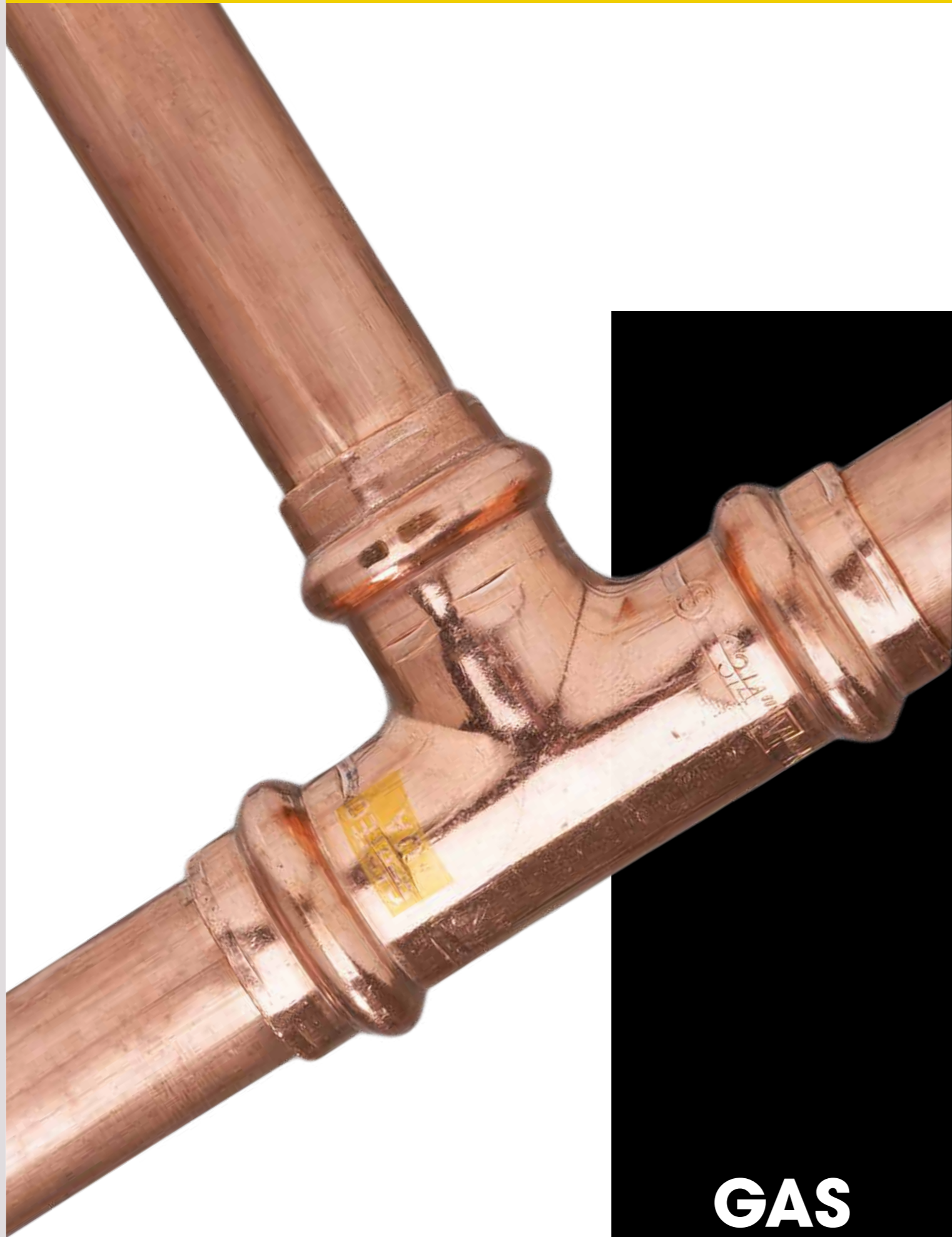
Pipe supports should be used to prevent movement and vibration in the finished system. Maximum bracket distance for copper tube:

15mm / 1/2"	1.8m Vertical	1.2m Horizontal
22mm / 3/4"	2.4m Vertical	1.8m Horizontal
28mm / 1"	2.4m Vertical	1.8m Horizontal

### WARNING

Due care should be taken to prevent damage to copper press fittings and O-rings by heat transfer due to nearby brazing. High temperature can anneal copper pipe making it too soft for press fit along with causing excessive heat damage to the HNBR O-rings. Each fitting and O-ring should be inspected before installation to confirm that there is no damage or defects due to storage or transportation. Do not use fitting if any visual defects are noted.

# GAS



# GAS Imperial Fittings

## CPG310 Gas Straight Coupler

CODE	SIZE	PACK QTY	PRICE €
CPG310001	1/2"	10	
CPG310002	3/4"	10	
CPG310003	1"	10	



## CPG310 Gas Straight Reducer

CODE	SIZE	PACK QTY	PRICE €
CPG310021	3/4" x 1/2"	10	
CPG310031	1" x 1/2"	10	
CPG310032	1" x 3/4"	10	



## CPG310 Gas Slip Coupler

CODE	SIZE	PACK QTY	PRICE €
CPG3100S1	1/2"	10	
CPG3100S2	3/4"	10	
CPG3100S3	1"	10	



## CPG311 Gas Straight Coupler M.I x Press

CODE	SIZE	PACK QTY	PRICE €
CPG311001	1/2" M x 1/2" Press	10	
CPG311002	3/4" M x 3/4" Press	10	
CPG311003	1" M x 1" Press	10	



## CPG312 Gas Straight Coupler F.I x Press

CODE	SIZE	PACK QTY	PRICE €
CPG312001	1/2" F x 1/2" Press	10	
CPG312002	3/4" F x 3/4" Press	10	
CPG312003	1" F x 1" Press	10	



## CPG315 Gas Elbow

CODE	SIZE	PACK QTY	PRICE €
CPG315001	1/2"	10	
CPG315002	3/4"	10	
CPG315003	1"	10	
CPG315021	3/4" x 1/2"	10	
CPG315031	1" x 1/2"	10	
CPG315032	1" x 3/4"	10	



## CPG318 Gas Equal Tee

CODE	SIZE	PACK QTY	PRICE €
CPG318001	1/2"	10	
CPG318002	3/4"	10	
CPG318003	1"	10	



## CPG318 Gas Reducing Tee

CODE	SIZE	PACK QTY	PRICE €
CPG318211	3/4" x 1/2" x 1/2"	10	
CPG318212	3/4" x 1/2" x 3/4"	10	
CPG318221	3/4" x 3/4" x 1/2"	10	
CPG318313	1" x 1/2" x 1"	5	
CPG318323	1" x 3/4" x 1"	5	
CPG318332	1" x 1" x 3/4"	5	



## CPG319 Gas Fitting Reducer

CODE	SIZE	PACK QTY	PRICE €
CPG319021	3/4" x 1/2"	10	
CPG319031	1" x 1/2"	10	
CPG319032	1" x 3/4"	10	



## CPG325 Gas Obtuse Street Elbow

CODE	SIZE	PACK QTY	PRICE €
CPG325001	1/2"	10	
CPG325002	3/4"	10	
CPG325003	1"	10	



## CPG335 Gas Street Elbow

CODE	SIZE	PACK QTY	PRICE €
CPG335001	1/2"	10	
CPG335002	3/4"	10	
CPG335003	1"	10	



## CPG345 Gas Obtuse Bend

CODE	SIZE	PACK QTY	PRICE €
CPG345001	1/2"	10	
CPG345002	3/4"	10	
CPG345003	1"	10	



## CPG351 Gas Stop End

CODE	SIZE	PACK QTY	PRICE €
CPG351001	1/2"	10	
CPG351002	3/4"	10	
CPG351003	1"	10	



Note: Fittings should be kept in original packaging to prevent O-ring lubrication drying out before use.

Note: Fittings should be kept in original packaging to prevent O-ring lubrication drying out before use.

# GAS Metric Fittings

## CPG410 Gas Straight Coupler

CODE	SIZE	PACK QTY	PRICE €
CPG410001	15mm	10	
CPG410002	22mm	10	
CPG410003	28mm	10	



## CPG410 Gas Straight Reducer

CODE	SIZE	PACK QTY	PRICE €
CPG410021	22mm x 15mm	10	
CPG410031	28mm x 15mm	10	
CPG410032	28mm x 22mm	10	



## CPG410 Gas Slip Coupler

CODE	SIZE	PACK QTY	PRICE €
CPG4100S1	15mm	10	
CPG4100S2	22mm	10	
CPG4100S3	28mm	10	



## CPG411 Gas Straight Coupler M.I x Press

CODE	SIZE	PACK QTY	PRICE €
CP4G11001	1/2" M x 15mm Press	10	
CPG411002	3/4" M x 22mm Press	10	
CPG411003	1" M x 28mm Press	10	



## CPG412 Gas Straight Coupler F.I x Press

CODE	SIZE	PACK QTY	PRICE €
CPG412001	1/2" F x 15mm Press	10	
CPG412002	3/4" F x 22mm Press	10	
CPG412003	1" F x 28mm Press	10	



## CPG415 Gas Elbow

CODE	SIZE	PACK QTY	PRICE €
CPG415001	15mm	10	
CPG415002	22mm	10	
CPG415003	28mm	5	
CPG415021	22mm x 15mm	10	
CPG415031	28mm x 15mm	5	
CPG415032	28mm x 22mm	5	



## CPG418 Gas Equal Tee

CODE	SIZE	PACK QTY	PRICE €
CPG418001	15mm	10	
CPG418002	22mm	10	
CPG418003	28mm	4	



## CPG418 Gas Reducing Tee

CODE	SIZE	PACK QTY	PRICE €
CPG418211	22mm x 15mm x 15mm	10	
CPG418212	22mm x 15mm x 22mm	10	
CPG418221	22mm x 22mm x 15mm	10	
CPG418313	28mm x 15mm x 28mm	5	
CPG418323	28mm x 22mm x 28mm	5	
CPG418332	28mm x 28mm x 22mm	5	



## CPG419 Gas Fitting Reducer

CODE	SIZE	PACK QTY	PRICE €
CPG419021	22mm x 15mm	10	
CPG419031	28mm x 15mm	10	
CPG419032	28mm x 22mm	10	



## CPG425 Gas Obtuse Street Elbow

CODE	SIZE	PACK QTY	PRICE €
CPG425001	15mm	10	
CPG425002	22mm	10	
CPG425003	28mm	10	



## CPG435 Gas Street Elbow

CODE	SIZE	PACK QTY	PRICE €
CPG435001	15mm	10	
CPG435002	22mm	10	
CPG435003	28mm	10	



## CPG445 Gas Obtuse Bend

CODE	SIZE	PACK QTY	PRICE €
CPG445001	15mm	10	
CPG445002	22mm	10	
CPG445003	28mm	10	



## CPG451 Gas Stop End

CODE	SIZE	PACK QTY	PRICE €
CPG451001	15mm	10	
CPG451002	22mm	10	
CPG451003	28mm	10	



Note: Fittings should be kept in original packaging to prevent O-ring lubrication drying out before use.

Note: Fittings should be kept in original packaging to prevent O-ring lubrication drying out before use.



# Instantor<sup>®</sup>

## Copper Press

### TECHNICAL INFORMATION

#### PRESSING PROFILE:

M Profile - Sizes: 15mm, 22mm, 28mm

#### APPLICATION:

Instantor Gas Copper Press Fittings are designed to be used with half-hard copper tubes (R250) or hard copper tubes (R290) with a maximum diameter of 54mm according to GASTEC QA Approval Requirement 5. Instantor Gas Copper Press Fittings are suitable for domestic gas installations for the transport of gaseous fuels in accordance to the 2nd & 3rd family gases. The maximum operating pressure is 200mbar.

Instantor Gas Copper Press Fitting are for gas only and are stamped with GASTEC in yellow markings on the body of each fitting. The O-rings are constructed from premium HNBR which are approved to EN549 & EN682 for use in gas fuel services and are yellow in colour for identification purposes.

#### SYSTEM TESTING:

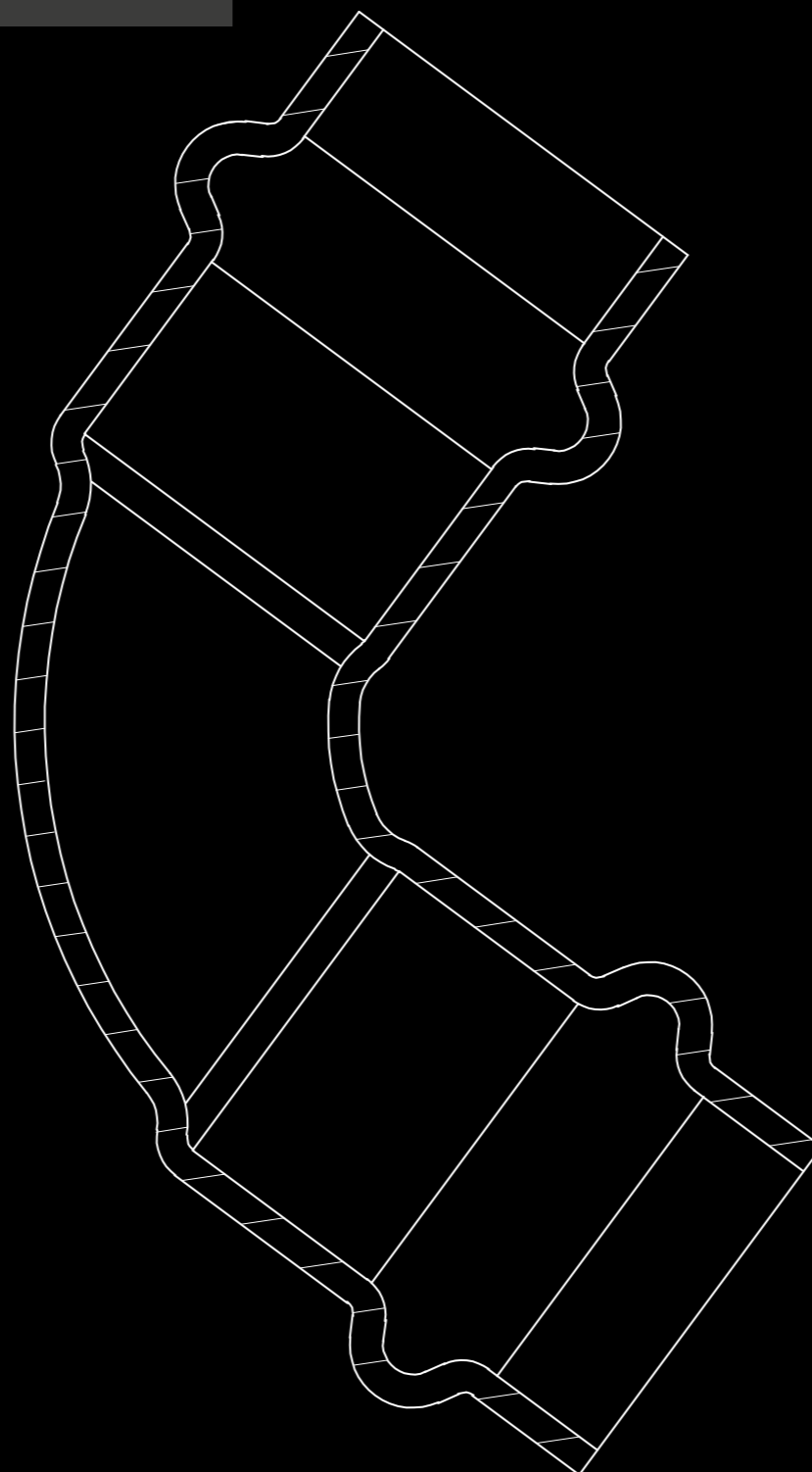
Pressure testing on Instantor Copper Press fittings should normally be carried out using air/leak detection spray in accordance with local regulations and standards e.g., IS813 and RGI.

All joints installed in the system must remain completely visible and accessible until the system has been successfully leak and pressure tested. Final inspections should then be carried out to confirm system is leak tight and sound.

#### GUARANTEE:

Copper is known for its durability, corrosion resistance, thermal conductivity, and hygienic qualities. In some cases, (sleeving/ marking is required - follow local building standards e.g IS813) external protection may be required to protect against corrosive conditions.

Instantor Copper Press fittings are guaranteed for 25 years provided they have been installed following correct procedure within operating conditions for which they are designed, by a fully competent person using the correct pressing equipment which holds a valid calibration certificate.



#### CERTIFICATION:



Imperial & Metric Instantor Gas Copper Press  
KIWA GASTEC QA Approval Number: 110435/01





# Instantor®

R-Press Fittings



INSTANTOR  
R-PRESS FITTINGS

15  
YEAR  
WARRANTY

## The Safer, Faster Way to join air conditioning and refrigeration pipework.

Instantor's new R-Press system is a game-changer for ACR installers. Designed for high-pressure applications up to 48 bar, including refrigeration, air conditioning, heat pumps (refrigeration side), VRF, and VRV systems – R-Press fittings deliver clean, reliable joints without the hassle of flame-based methods.

Because it's flame-free, there's no need for hot work permits, fire watches, or lengthy risk assessments. That means quicker installs, less downtime, and safer working conditions, especially in tight or sensitive spaces.

Instantor R-Press fittings use a precision-engineered 3-point press design for strong, permanent joints you can count on. It's a mechanical joint, so there's no need for nitrogen purging, which keeps your systems cleaner and your installs simpler.

Built with the quality and reliability you expect from Instantor, R-Press fittings help reduce callbacks and keep projects moving efficiently. They're also designed with installers in mind, no fuss, no flame, just dependable performance.





# Instantor®

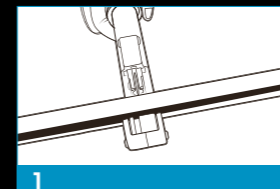
R-Press Fittings

## FEATURES

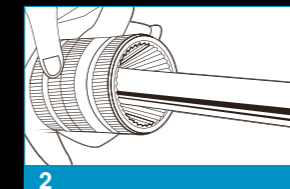
- **COMPLIANCE** - UL 207 Certified
- **FLAME FREE INSTALL** - No fire permit, no fire risk
- **MECHANICAL JOINT** - No nitrogen purge needed
- **SAVE ON TIME** - 35% faster install than traditional methods
- **EXTENSIVE OFFERING** - Available from 1/4" to 1 1/8"

Further technical information available, see page 82

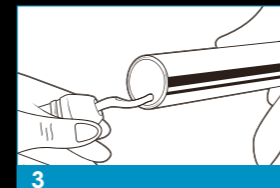
## INSTALLATION INSTRUCTIONS



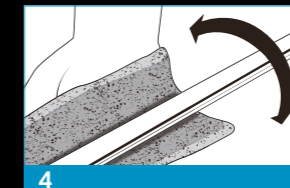
1



2



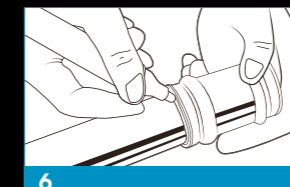
3



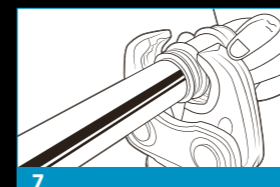
4



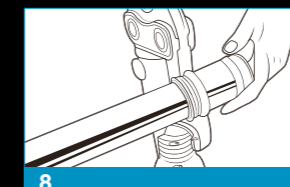
5



6



7



8

1. Cut the tube squarely, ensuring a clean and perpendicular edge. The tube must be free from defects or scratches that could compromise joint integrity.
2. Use a deburring tool to remove burrs and sharp edges from both the inside and outside of the tube. This prevents damage to the sealing element.
3. Thoroughly clean the tube using a general-purpose scotch cloth / pad in a rotating motion. Ensure the ends are free from scratches, oxidation, dirt, and debris.
4. Check the cleaned tube for remaining deep scratches or imperfections. If present, cut back to a clean section and repeat Steps 2 and 3.
5. Ensure the O-ring is correctly seated and that the fitting matches the tube size. Verify that all O-rings are present and undamaged.
6. Fully insert the tube into the fitting until it reaches the stop. Mark the insertion depth to detect any movement prior to pressing.
7. Align the pressing jaws squarely on the fitting. Ensure the correct size jaw is used and that the groove is positioned over the O-ring. The pipework must be properly aligned before pressing.
8. Depress and hold the tool's button to initiate the press. The cycle is complete when the jaws fully close and the piston retracts—do not repeat the pressing cycle. Once complete, release and remove the pressing jaws from the fitting. Clearly mark the joint after pressing for easy identification and inspection prior to system testing and insulation.



### RP510 ACR Straight Coupler PxP



CODE	SIZE	PACK QTY	PRICE €
RP510100	1/4"	5	
RP510200	3/8"	5	
RP510300	1/2"	5	
RP510400	5/8"	5	
RP510500	3/4"	2	
RP510600	7/8"	2	
RP510700	1 1/8"	2	

### RP514 ACR Straight Swivel Union PxP



CODE	SIZE	PACK QTY	PRICE €
RP514100	1/4"	4	
RP514200	3/8"	4	
RP514300	1/2"	2	
RP514400	5/8"	2	
RP514500	3/4"	2	

### RP515 ACR 90° Elbow PxP



CODE	SIZE	PACK QTY	PRICE €
RP515100	1/4"	5	
RP515200	3/8"	5	
RP515300	1/2"	3	
RP515400	5/8"	3	
RP515500	3/4"	3	
RP515600	7/8"	3	
RP515700	1 1/8"	2	

### RP518 ACR Equal Tee PxPxP



CODE	SIZE	PACK QTY	PRICE €
RP518100	1/4"	3	
RP518200	3/8"	3	
RP518300	1/2"	3	
RP518400	5/8"	2	
RP518500	3/4"	2	
RP518600	7/8"	2	
RP518700	1 1/8"	1	

### RP519 ACR Reducing Coupler PxP



CODE	SIZE	PACK QTY	PRICE €
RP519210	3/8" x 1/4"	2	
RP519310	1/2" x 1/4"	2	
RP519320	1/2" x 3/8"	2	
RP519410	5/8" x 1/4"	2	
RP519420	5/8" x 3/8"	2	
RP519430	5/8" x 1/2"	2	
RP519530	3/4" x 1/2"	2	
RP519540	3/4" x 5/8"	2	
RP519630	7/8" x 1/2"	2	
RP519640	7/8" x 5/8"	2	
RP519650	7/8" x 3/4"	2	
RP519740	1 1/8" x 5/8"	1	
RP519750	1 1/8" x 3/4"	1	
RP519760	1 1/8" x 7/8"	1	

### RP535 ACR 90° Street Elbow FTGxP



CODE	SIZE	PACK QTY	PRICE €
RP535100	1/4"	3	
RP535200	3/8"	3	
RP535300	1/2"	3	
RP535400	5/8"	3	
RP535500	3/4"	3	
RP535600	7/8"	3	
RP535700	1 1/8"	2	

### RP545 ACR 45° Obtuse Bend PxP



CODE	SIZE	PACK QTY	PRICE €
RP545100	1/4"	3	
RP545200	3/8"	3	
RP545300	1/2"	3	
RP545400	5/8"	3	
RP545500	3/4"	3	
RP545600	7/8"	3	
RP545700	1 1/8"	2	

### RP551 ACR Stop End PxCAP



CODE	SIZE	PACK QTY	PRICE €
RP551100	1/4"	3	
RP551200	3/8"	3	
RP551300	1/2"	3	
RP551400	5/8"	2	
RP551500	3/4"	2	
RP551600	7/8"	2	
RP551700	1 1/8"	1	



## TECHNICAL INFORMATION

### PRESSING PROFILE:

V - Sizes 1/4", 3/8", 1/2", 5/8", 3/4", 7/8", 1 1/8"

### APPLICATION:

Instantor R-Press fittings are specifically designed for use in:

- Refrigeration systems
- Air conditioning systems
- The refrigeration side of heat pumps
- VRF (Variable Refrigerant Flow) and VRV (Variable Refrigerant Volume) systems

### WARRANTY:

Instantor R-Press fittings are covered by a standard 1-year manufacturer's warranty from the date of purchase. This warranty is extended to 15 years when installation is carried out by an installer who has:

- Successfully completed the official Instantor R-Press training program, and
- Obtained a valid Competency Certification issued by Instantor.

The extended warranty is subject to compliance with all installation guidelines, use of approved tools and materials, and adherence to best practices as outlined in Instantor's installation manual.

### Maximum Rated Operating and Abnormal Pressure

700 psi / 48 bar . 4800 kPa

### Continuous Operating Temperature

-40°F to 284°C / -40°C to 140°C

### Vacuum Pressure Capability

200 Microns

### Leak Tightness

Helium  $\leq 7.5 \times 10^{-7}$  Pa.m<sup>3</sup>/s at +20°C, 10 bar

### Burst Pressure

>3X Maximum operating and abnormal pressure  
>2,100psig / >14400 kPa / >144bar

### Size Availability

1/4", 3/8", 1/2", 5/8", 3/4", 7/8", 1 1/8"

### FITTING MATERIALS:

**Fitting Body:** Refrigerant Grade Copper (UNS C12200 min 99.9% pure)  
**O-Ring:** HNBR



### CERTIFICATION:



### APPROVED REFRIDGERANTS:

R32	R125	R134a	R290	R404A
R407A	R407C	R407F	R407H	R410A
R454A	R454B	R438A	R448A	R449A
R454C	R452A	R452B	R507A	R600A
R452C	R1234yf	R1234ze		

### COMPATABILITY:

#### Approved Lubricants:

POE, PAO, PVE, AB and MO

#### Approved Connections:

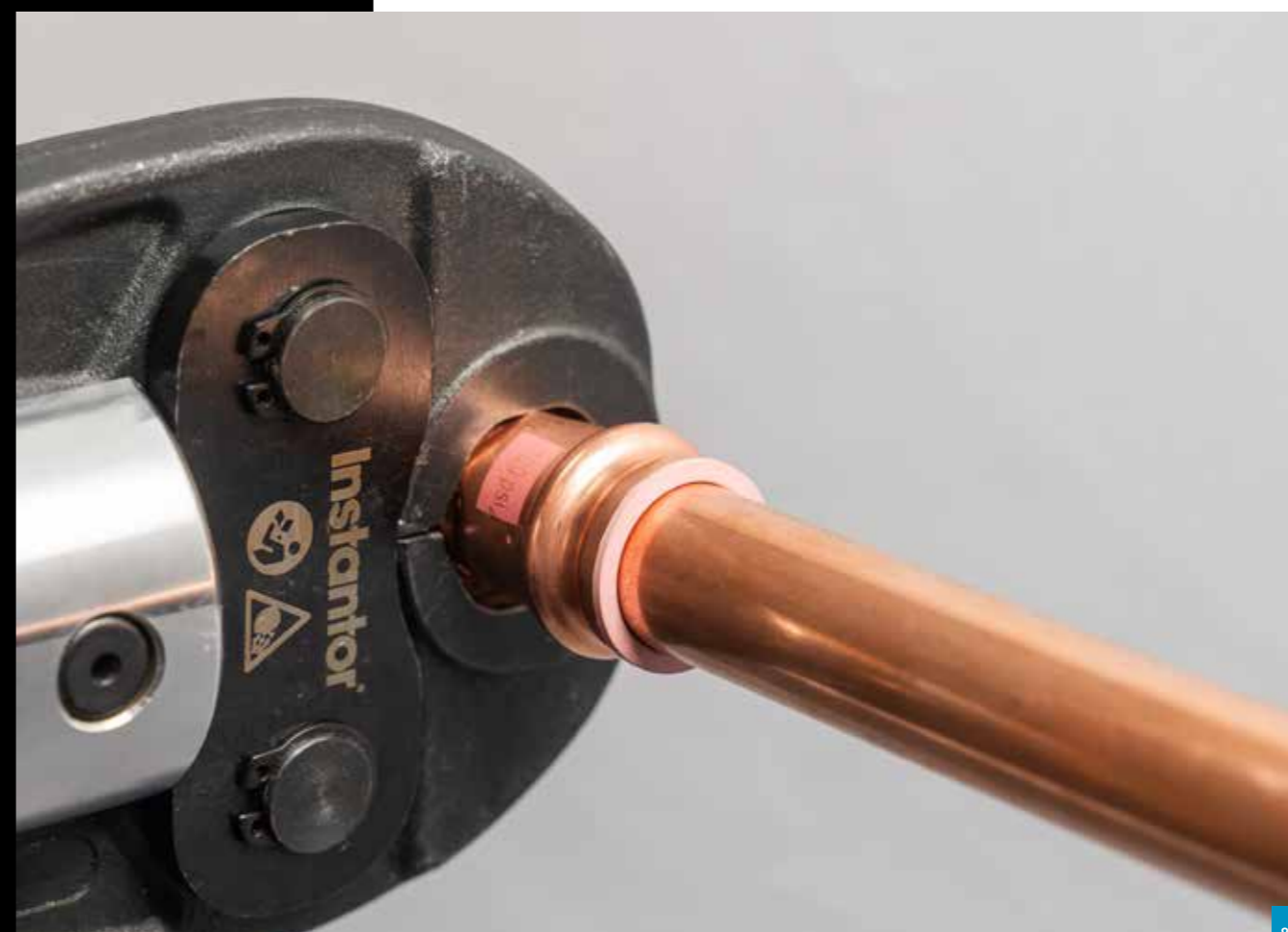
Copper to Copper

#### Approved Tube:

Copper tube conforming to EN12735-1, ASTM B280, ASTM B88, or ATSM B743

#### Approved Copper Tubing:

Hard Copper (Drawn) -  
Type ACR, L, K  
Soft Copper (Annealed)-  
Type ACR, L, K





# Instantor<sup>®</sup>

## Stainless Steel Press

INSTANTOR  
STAINLESS STEEL PRESS



Instantor Stainless Steel Press fittings & pipe are suitable for a wide range of applications in both domestic and commercial settings due to the high level of mechanical strength and durability.

Instantor Stainless Steel Press has undergone thorough testing and evaluation resulting in certification in industry recognised approvals such as WRAS, BSI Kitemark & DVGW.

The visual appeal and sustainability of the stainless steel finish renders it a desirable choice for installations in food & pharmaceutical industries to name a few.

Water Fittings feature black EPDM O Rings, whilst Gas Fittings are identified with a yellow marking on the body of the fitting and feature yellow HNBR O Rings.





# Instantor<sup>®</sup>

## Stainless Steel Press

### FEATURES

- **CERTIFIED** - DVGW, BSI Kitemark & WRAS Certified
- **SUPERIOR MATERIAL** - 316L Stainless Steel provides corrosion, fire, heat and impact resistance
- **QUICK TO INSTALL** - Installation complete in just 5 steps. Cut, Calibrate, Check, Mark & Press
- **SUITABILITY** - Offering a solution for water, gas, oil, solar, hydrocarbon, compressed air & saturated steam applications
- **EXTENSIVE OFFERING** - Sizing from 15mm - 54mm suitable for domestic & commercial installations
- **AESTHETIC FINISH** - Desirable decorative stainless steel finish

### INSTALLATION INSTRUCTIONS



CUT

1. Ensure that the fitting is the correct size for the tube being used. Cut the pipe to length using a good quality pipe cutter or rotary pipe cutter. It is important that pipe ends are clean, cut square, and the pipe is not deformed. High speed grinding wheels are not suitable.



CALIBRATE

2. All burrs and sharp edges should be removed. Using a de-burring tool to both the inside and outside of the pipe, leaving an external chamfer. Wipe the pipe end clean. The pipe ends should be free from scratches or scores for a distance not less than the socket depth. **NOTE:** A poorly calibrated pipe could damage the O-ring on insertion.



CHECK

3. Before inserting the pipe, check the O-ring is seated, lubricated and free from damage. (Re-moisten O-ring with water if necessary\*\*)



MARK

4. Insert the pipe fully into the socket of the fitting until it hits the pipe stop (or until pipes meet in the middle in fittings without a pipe stop). Mark the insertion depth with black marker to ensure the pipe has been fully inserted before pressing.



PRESS

5. Making sure to select the correct profile Jaw ('VI' for Imperial/Irish Instantor Copper Press), execute the press cycle. After the press tool cycle is complete remove the Press Jaws and check that the socket depth marking on the pipe has remained in place, adjacent to the mouth of the fitting.

**NOTE:** Fittings should be kept in original packaging to protect the O-ring and prevent drying out of lubrication.

### TECHNICAL SUMMARY

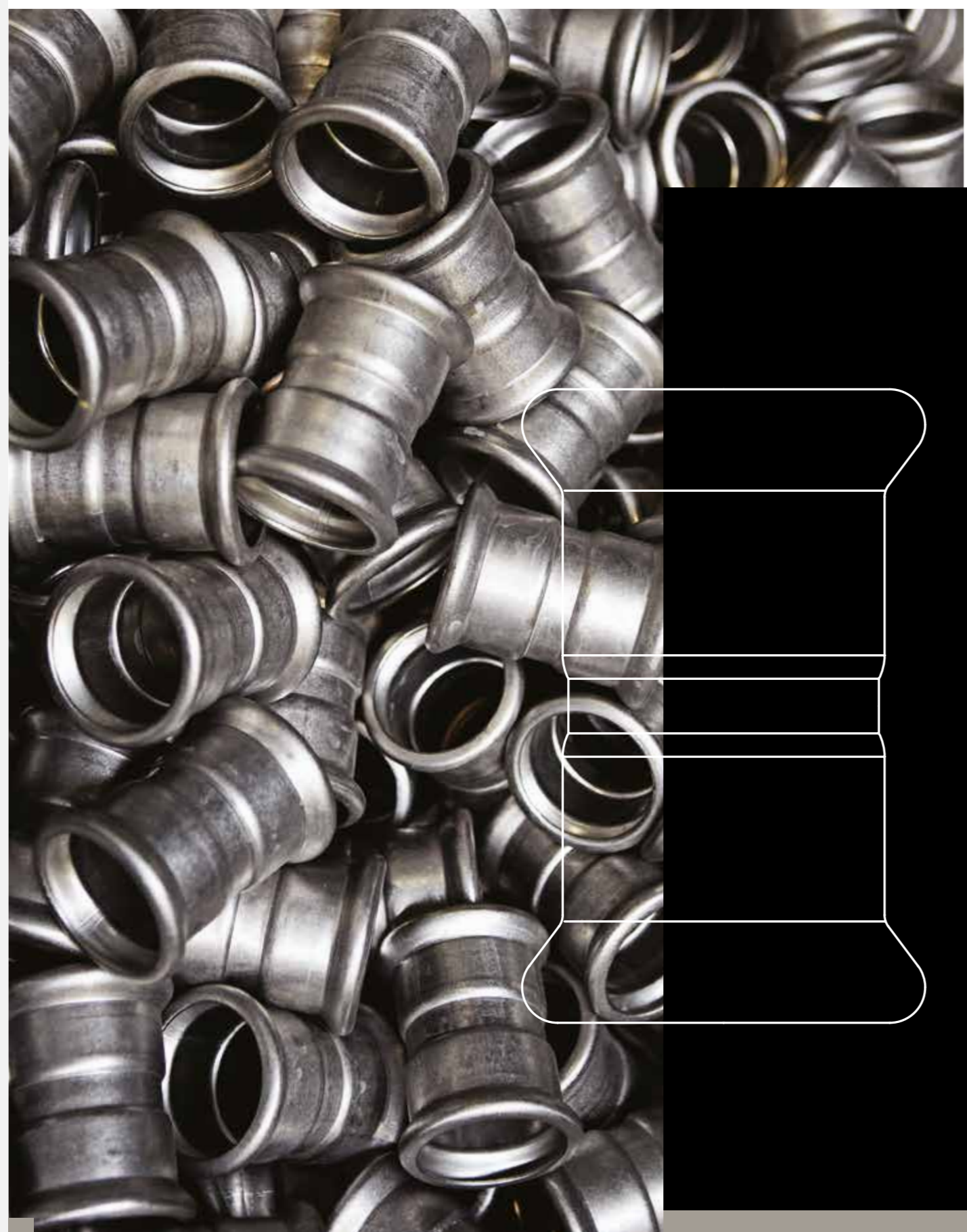
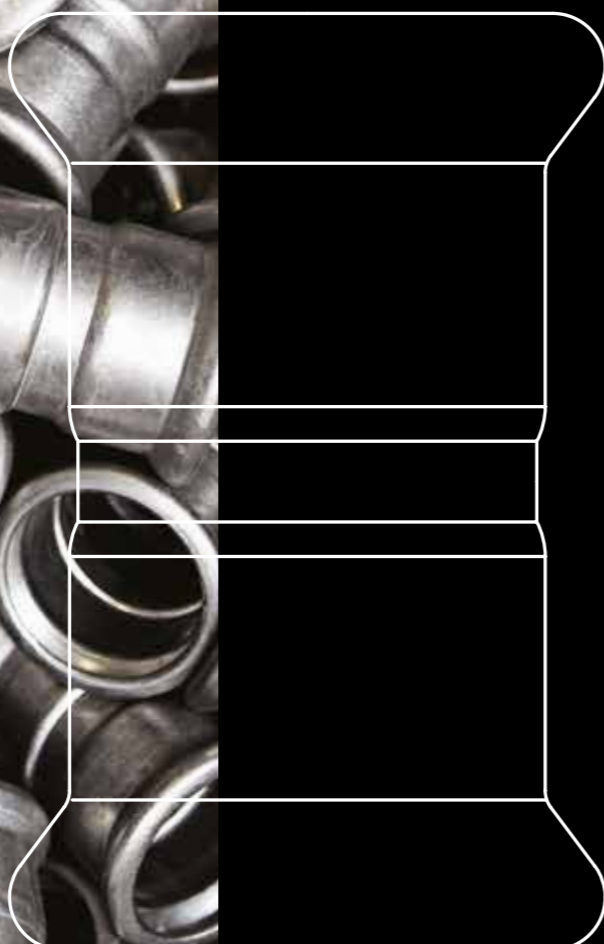
**Water Applications (EPDM O-ring)**  
Max Operating Pressure: 16 bar  
Operating Temperature: -20°C to +110°C

**Gas Applications (HNBR O-ring)**  
Max Operating Pressure: 5 bar  
Operating Temperature: -20°C to +70°C

**Oil, Solar, Hydrocarbon & Compressed Air Applications (FKM Green O-ring)**  
Max Operating Pressure: 16 bar  
Operating Temperature: -20°C to +200°C

**Saturated Steam Applications (FKM Red O-ring)**  
Max Operating Pressure: 7 bar  
Operating Temperature: -10°C to +160°C

Further technical information available, see page 99.



# WATER

## SP410 Straight Coupler

CODE	SIZE	PACK QTY	PRICE €
SP410001	15mm	20	
SP410002	22mm	20	
SP410003	28mm	20	
SP410004	35mm	10	
SP410005	42mm	4	
SP410006	54mm	4	
SP410007	76.1mm	1	
SP410008	88.9mm	1	
SP410009	108mm	1	



## SP410 Straight Slip Coupler

CODE	SIZE	PACK QTY	PRICE €
SP4100S1	15mm	20	
SP4100S2	22mm	20	
SP4100S3	28mm	20	
SP4100S4	35mm	10	
SP4100S5	42mm	4	
SP4100S6	54mm	4	
SP4100S7	76.1mm	1	
SP4100S8	88.9mm	1	
SP4100S9	108mm	1	



## SP411 Male Adaptor

CODE	SIZE	PACK QTY	PRICE €
SP411001	15mm x 1/2" MI	20	
SP411012	15mm x 3/4" MI	20	
SP411021	22mm x 1/2" MI	20	
SP411002	22mm x 3/4" MI	20	
SP411023	22mm x 1" MI	20	
SP411032	28mm x 3/4" MI	20	
SP411003	28mm x 1" MI	20	
SP411034	28mm x 1 1/4" MI	20	
SP411043	35mm x 1" MI	10	
SP411004	35mm x 1 1/4" MI	10	
SP411045	35mm x 1 1/2" MI	10	
SP411054	42mm x 1 1/4" MI	4	
SP411005	42mm x 1 1/2" MI	4	
SP411065	54mm x 1 1/2" MI	4	
SP411006	54mm x 2" MI	4	
SP411007	76.1mm x 2 1/2" MI	1	
SP411008	88.9mm x 3" MI	1	
SP411009	108mm x 4" MI	1	



## SP412 Female Adaptor

CODE	SIZE	PACK QTY	PRICE €
SP412001	15mm x 1/2" FI	20	
SP412012	15mm x 3/4" FI	20	
SP412021	22mm x 1/2" FI	20	
SP412002	22mm x 3/4" FI	20	
SP412023	22mm x 1" FI	20	
SP412032	28mm x 3/4" FI	20	
SP412003	28mm x 1" FI	20	
SP412034	28mm x 1 1/4" FI	20	
SP412043	35mm x 1" FI	10	
SP412004	35mm x 1 1/4" FI	10	
SP412045	35mm x 1 1/2" FI	10	
SP412054	42mm x 1 1/4" FI	4	
SP412005	42mm x 1 1/2" FI	4	
SP412065	54mm x 1 1/2" FI	4	
SP412006	54mm x 2" FI	4	
SP412007	76.1mm x 2 1/2" FI	1	
SP412008	88.9mm x 3" FI	1	



## SP415 90° F.I x F.I Elbow

CODE	SIZE	PACK QTY	PRICE €
SP415001	15mm	20	
SP415002	22mm	20	
SP415003	28mm	20	
SP415004	35mm	10	
SP415005	42mm	4	
SP415006	54mm	4	
SP415007	76.1mm	1	
SP415008	88.9mm	1	
SP415009	108mm	1	



## SP418 Equal Tee

CODE	SIZE	PACK QTY	PRICE €
SP418001	15mm	20	
SP418002	22mm	20	
SP418003	28mm	20	
SP418004	35mm	10	
SP418005	42mm	4	
SP418006	54mm	4	
SP418007	76.1mm	1	
SP418008	88.9mm	1	
SP418009	108mm	1	



Note: Fittings above 54mm are made to order and subject to lead times.

Note: Fittings above 54mm are made to order and subject to lead times.

## SP418 Reducing Tee

CODE	SIZE	PACK QTY	PRICE €
SP418221	22mm x 22mm x 15mm	20	
SP418331	28mm x 28mm x 15mm	10	
SP418332	28mm x 28mm x 22mm	10	
SP418441	35mm x 35mm x 15mm	10	
SP418442	35mm x 35mm x 22mm	10	
SP418443	35mm x 35mm x 28mm	10	
SP418551	42mm x 42mm x 15mm	4	
SP418552	42mm x 42mm x 22mm	4	
SP418553	42mm x 42mm x 28mm	4	
SP418554	42mm x 42mm x 35mm	4	
SP418661	54mm x 54mm x 15mm	4	
SP418662	54mm x 54mm x 22mm	4	
SP418663	54mm x 54mm x 28mm	4	
SP418664	54mm x 54mm x 35mm	4	
SP418665	54mm x 54mm x 42mm	4	
SP418772	76.1mm x 76.1mm x 22mm	1	
SP418773	76.1mm x 76.1mm x 28mm	1	
SP418774	76.1mm x 76.1mm x 35mm	1	
SP418775	76.1mm x 76.1mm x 42mm	1	
SP418776	76.1mm x 76.1mm x 54mm	1	
SP418882	88.9mm x 88.9mm x 22mm	1	
SP418883	88.9mm x 88.9mm x 28mm	1	
SP418884	88.9mm x 88.9mm x 35mm	1	
SP418885	88.9mm x 88.9mm x 42mm	1	
SP418886	88.9mm x 88.9mm x 54mm	1	
SP418887	88.9mm x 88.9mm x 76.1mm	1	
SP418992	108mm x 108mm x 22mm	1	
SP418993	108mm x 108mm x 28mm	1	
SP418994	108mm x 108mm x 35mm	1	
SP418995	108mm x 108mm x 42mm	1	
SP418996	108mm x 108mm x 54mm	1	
SP418997	108mm x 108mm x 76.1mm	1	
SP418998	108mm x 108mm x 88.9mm	1	



## SP419 M.I x F.I Reducer

CODE	SIZE	PACK QTY	PRICE €
SP419021	22mm x 15mm	20	
SP419031	28mm x 15mm	20	
SP419032	28mm x 22mm	20	
SP419041	35mm x 15mm	10	
SP419042	35mm x 22mm	10	
SP419043	35mm x 28mm	10	
SP419051	42mm x 15mm	4	
SP419052	42mm x 22mm	4	
SP419053	42mm x 28mm	4	
SP419054	42mm x 35mm	4	
SP419061	54mm x 15mm	4	
SP419062	54mm x 22mm	4	
SP419063	54mm x 28mm	4	
SP419064	54mm x 35mm	4	
SP419065	54mm x 42mm	4	
SP419072	76.1mm x 22mm	1	
SP419073	76.1mm x 28mm	1	
SP419074	76.1mm x 35mm	1	
SP419075	76.1mm x 42mm	1	
SP419076	76.1mm x 54mm	1	
SP419082	88.9mm x 22mm	1	
SP419083	88.9mm x 28mm	1	
SP419084	88.9mm x 35mm	1	
SP419085	88.9mm x 42mm	1	
SP419086	88.9mm x 54mm	1	
SP419087	88.9mm x 76.1mm	1	
SP419092	108mm x 22mm	1	
SP419093	108mm x 28mm	1	
SP419094	108mm x 35mm	1	
SP419095	108mm x 42mm	1	
SP419096	108mm x 54mm	1	
SP419097	108mm x 76.1mm	1	
SP419098	108mm x 88.9mm	1	



## SP425 45° M.I x F.I Elbow

CODE	SIZE	PACK QTY	PRICE €
SP425001	15mm	20	
SP425002	22mm	20	
SP425003	28mm	20	
SP425004	35mm	10	
SP425005	42mm	4	
SP425006	54mm	4	
SP425007	76.1mm	1	
SP425008	88.9mm	1	
SP425009	108mm	1	



## SP435 90° M.I x F.I Elbow

CODE	SIZE	PACK QTY	PRICE €
SP435001	15mm	20	
SP435002	22mm	20	
SP435003	28mm	20	
SP435004	35mm	10	
SP435005	42mm	4	
SP435006	54mm	4	
SP435007	76.1mm	1	
SP435008	88.9mm	1	
SP435009	108mm	1	



Note: Fittings above 54mm are made to order and subject to lead times.

Note: Fittings above 54mm are made to order and subject to lead times.

### SP445 45° F.I x F.I Elbow

CODE	SIZE	PACK QTY	PRICE €
SP445001	15mm	20	
SP445002	22mm	20	
SP445003	28mm	20	
SP445004	35mm	10	
SP445005	42mm	4	
SP445006	54mm	4	
SP445007	76.1mm	1	
SP445008	88.9mm	1	
SP445009	108mm	1	



### SP430 Tee Press x Press x F.I

CODE	SIZE	PACK QTY	PRICE €
SP430001	15mm x 15mm x 1/2" FI	20	
SP430221	22mm x 22mm x 1/2" FI	20	
SP430002	22mm x 22mm x 3/4" FI	20	
SP430331	28mm x 28mm x 1/2" FI	10	
SP430332	28mm x 28mm x 3/4" FI	10	
SP430003	28mm x 28mm x 1" FI	10	
SP430441	35mm x 35mm x 1/2" FI	10	
SP430442	35mm x 35mm x 3/4" FI	10	
SP430443	35mm x 35mm x 1" FI	10	
SP430004	35mm x 35mm x 1 1/4" FI	10	
SP430551	42mm x 42mm x 1/2" FI	4	
SP430552	42mm x 42mm x 3/4" FI	4	
SP430553	42mm x 42mm x 1" FI	4	
SP430005	42mm x 42mm x 1 1/2" FI	4	
SP430661	54mm x 54mm x 1/2" FI	2	
SP430662	54mm x 54mm x 3/4" FI	2	
SP430663	54mm x 54mm x 1" FI	2	
SP430006	54mm x 54mm x 2" FI	2	
SP430007	76.1mm x 76.1mm x 3/4" FI	1	
SP430008	76.1mm x 76.1mm x 2" FI	1	
SP430009	88.9mm x 88.9mm x 3/4" FI	1	



### SP440 Flanged Adaptor PN16

CODE	SIZE	PACK QTY	PRICE €
SP440001	15mm	4	
SP440002	22mm	4	
SP440003	28mm	4	
SP440004	35mm	4	
SP440005	42mm	4	
SP440006	54mm	4	
SP440007	76.1mm	1	
SP440008	88.9mm	1	
SP440009	108mm	1	



### SP451 Stop End

CODE	SIZE	PACK QTY	PRICE €
SP451001	15mm	20	
SP451002	22mm	10	
SP451003	28mm	10	
SP451004	35mm	10	
SP451005	42mm	4	
SP451006	54mm	4	
SP451007	76.1mm	1	
SP451008	88.9mm	1	
SP451009	108mm	1	



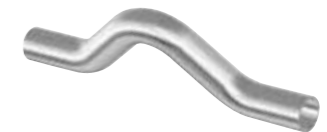
### SP400 Pre-formed Pipe Bridge

CODE	SIZE	PACK QTY	PRICE €
SP400011	15mm	20	
SP400012	22mm	20	
SP400013	28mm	10	



### SP400 Pipe Bridge

CODE	SIZE	PACK QTY	PRICE €
SP400014	15mm	20	
SP400015	22mm	20	
SP400016	28mm	10	



### SP400 Press Pipe Bridge

CODE	SIZE	PACK QTY	PRICE €
SP400017	15mm	20	
SP400018	22mm	20	
SP400019	28mm	10	



Note: Fittings above 54mm are made to order and subject to lead times.

Note: Fittings above 54mm are made to order and subject to lead times.

**SPU11 Male Union Connector**

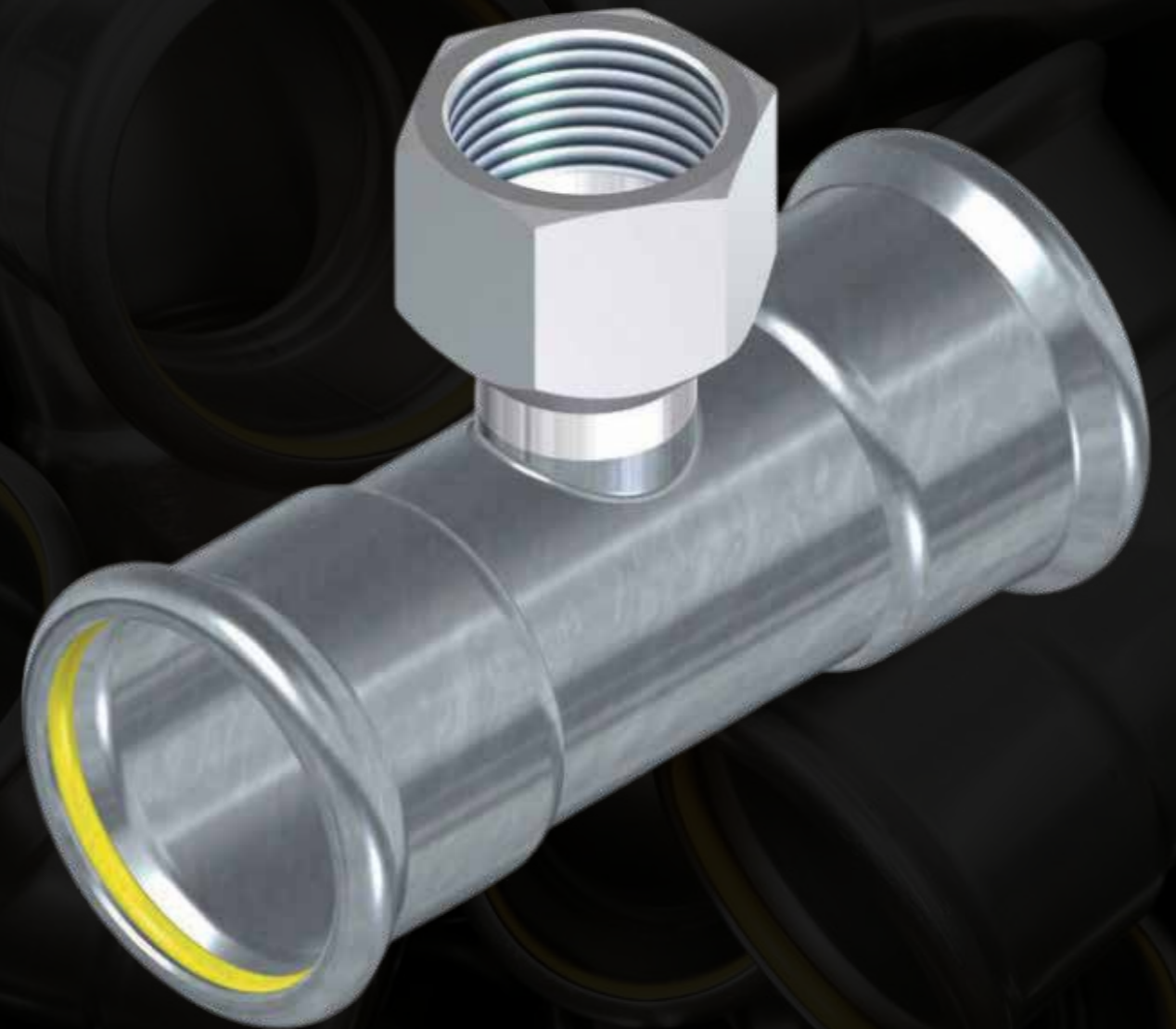
CODE	SIZE	PACK QTY	PRICE €
SPU11001	15mm x 1/2" MI	20	
SPU11012	15mm x 3/4" MI	20	
SPU11023	22mm x 1" MI	20	
SPU11002	22mm x 3/4" MI	20	
SPU11003	28mm x 1" MI	20	
SPU11034	28mm x 1 1/4" MI	20	
SPU11004	35mm x 1 1/4" MI	10	
SPU11005	42mm x 1 1/2" MI	4	
SPU11006	54mm x 2" MI	2	

**SPU12 Female Union Connector**

CODE	SIZE	PACK QTY	PRICE €
SPU12001	15mm x 1/2" FI	20	
SPU12012	15mm x 3/4" FI	20	
SPU12023	22mm x 1" FI	20	
SPU12002	22mm x 3/4" FI	20	
SPU12003	28mm x 1" FI	20	
SPU12034	28mm x 1 1/4" FI	20	
SPU12004	35mm x 1 1/4" FI	10	
SPU12005	42mm x 1 1/2" FI	4	
SPU12006	54mm x 2" FI	2	

**Elongation Compensator**

CODE	SIZE	PACK QTY	PRICE €
SP410111	15mm	1	
SP410112	22mm	1	
SP410113	28mm	1	
SP410114	35mm	1	
SP410115	42mm	1	
SP410116	54mm	1	
SP410117	76.1mm	1	
SP410118	88.9mm	1	
SP410119	108mm	1	

**GAS**

Note: Fittings above 54mm are made to order and subject to lead times.

# GAS

## SPG410 Gas Straight Coupler

CODE	SIZE	PACK QTY	PRICE €
SPG410001	15mm	20	
SPG410002	22mm	20	
SPG410003	28mm	20	
SPG410004	35mm	10	
SPG410005	42mm	4	
SPG410006	54mm	4	
SPG410007	76.1mm	1	
SPG410008	88.9mm	1	
SPG410009	108mm	1	



## SPG410 Gas Straight Slip Coupler

CODE	SIZE	PACK QTY	PRICE €
SPG4100S1	15mm	20	
SPG4100S2	22mm	20	
SPG4100S3	28mm	20	
SPG4100S4	35mm	10	
SPG4100S5	42mm	4	
SPG4100S6	54mm	4	
SPG4100S7	76.1mm	1	
SPG4100S8	88.9mm	1	
SPG4100S9	108mm	1	



## SPG411 Gas Male Adaptor

CODE	SIZE	PACK QTY	PRICE €
SPG411001	15mm x 1/2" MI	20	
SPG411012	15mm x 3/4" MI	20	
SPG411021	22mm x 1/2" MI	20	
SPG411002	22mm x 3/4" MI	20	
SPG411023	22mm x 1" MI	20	
SPG411032	28mm x 3/4" MI	20	
SPG411003	28mm x 1" MI	20	
SPG411034	28mm x 1 1/4" MI	20	
SPG411043	35mm x 1" MI	10	
SPG411004	35mm x 1 1/4" MI	10	
SPG411045	35mm x 1 1/2" MI	10	
SPG411054	42mm x 1 1/4" MI	4	
SPG411005	42mm x 1 1/2" MI	4	
SPG411065	54mm x 1 1/2" MI	4	
SPG411006	54mm x 2" MI	4	
SPG411070	76.1mm x 2 1/2" MI	1	
SPG411087	88.9mm x 3" MI	1	
SPG411099	108mm x 4" MI	1	



## SPG412 Gas Female Adaptor

CODE	SIZE	PACK QTY	PRICE €
SPG412001	15mm x 1/2" FI	20	
SPG412012	15mm x 3/4" FI	20	
SPG412021	22mm x 1/2" FI	20	
SPG412002	22mm x 3/4" FI	20	
SPG412023	22mm x 1" FI	20	
SPG412032	28mm x 3/4" FI	20	
SPG412003	28mm x 1" FI	20	
SPG412034	28mm x 1 1/4" FI	20	
SPG412043	35mm x 1" FI	10	
SPG412004	35mm x 1 1/4" FI	10	
SPG412045	35mm x 1 1/2" FI	10	
SPG412054	42mm x 1 1/4" FI	4	
SPG412005	42mm x 1 1/2" FI	4	
SPG412065	54mm x 1 1/2" FI	4	
SPG412006	54mm x 2" FI	4	
SPG412070	76.1mm x 2 1/2" FI	1	
SPG412087	88.9mm x 3" FI	1	



## SPG415 Gas 90° F.I x F.I Elbow

CODE	SIZE	PACK QTY	PRICE €
SPG415001	15mm	20	
SPG415002	22mm	20	
SPG415003	28mm	20	
SPG415004	35mm	10	
SPG415005	42mm	4	
SPG415006	54mm	2	
SPG415007	76.1mm	1	
SPG415008	88.9mm	1	
SPG415009	108mm	1	



## SPG418 Gas Equal Tee

CODE	SIZE	PACK QTY	PRICE €
SPG418001	15mm	20	
SPG418002	22mm	20	
SPG418003	28mm	10	
SPG418004	35mm	10	
SPG418005	42mm	4	
SPG418006	54mm	2	
SPG418007	76.1mm	1	
SPG418008	88.9mm	1	
SPG418009	108mm	1	



Note: Fittings above 54mm are made to order and subject to lead times.

Note: Fittings above 54mm are made to order and subject to lead times.

## SPG418 Gas Reducing Tee

CODE	SIZE	PACK QTY	PRICE €
SPG418221	22mm x 22mm x 15mm	20	
SPG418331	28mm x 28mm x 15mm	10	
SPG418332	28mm x 28mm x 22mm	10	
SPG418441	35mm x 35mm x 15mm	10	
SPG418442	35mm x 35mm x 22mm	10	
SPG418443	35mm x 35mm x 28mm	10	
SPG418551	42mm x 42mm x 15mm	4	
SPG418552	42mm x 42mm x 22mm	4	
SPG418553	42mm x 42mm x 28mm	4	
SPG418554	42mm x 42mm x 35mm	4	
SPG418661	54mm x 54mm x 15mm	2	
SPG418662	54mm x 54mm x 22mm	2	
SPG418663	54mm x 54mm x 28mm	2	
SPG418664	54mm x 54mm x 35mm	2	
SPG418665	54mm x 54mm x 42mm	2	
SPG418772	76.1mm x 76.1mm x 22mm	1	
SPG418773	76.1mm x 76.1mm x 28mm	1	
SPG418774	76.1mm x 76.1mm x 35mm	1	
SPG418775	76.1mm x 76.1mm x 42mm	1	
SPG418776	76.1mm x 76.1mm x 54mm	1	
SPG418882	88.9mm x 88.9mm x 22mm	1	
SPG418883	88.9mm x 88.9mm x 28mm	1	
SPG418884	88.9mm x 88.9mm x 35mm	1	
SPG418885	88.9mm x 88.9mm x 42mm	1	
SPG418886	88.9mm x 88.9mm x 54mm	1	
SPG418887	88.9mm x 88.9mm x 76.1mm	1	
SPG418992	108mm x 108mm x 22mm	1	
SPG418993	108mm x 108mm x 28mm	1	
SPG418994	108mm x 108mm x 35mm	1	
SPG418995	108mm x 108mm x 42mm	1	
SPG418996	108mm x 108mm x 54mm	1	
SPG418997	108mm x 108mm x 76.1mm	1	
SPG418998	108mm x 108mm x 88.9mm	1	



## SPG419 Gas M.I x F.I Reducer

CODE	SIZE	PACK QTY	PRICE €
SPG419021	22mm x 15mm	20	
SPG419031	28mm x 15mm	20	
SPG419032	28mm x 22mm	20	
SPG419041	35mm x 15mm	10	
SPG419042	35mm x 22mm	10	
SPG419043	35mm x 28mm	10	
SPG419051	42mm x 15mm	4	
SPG419052	42mm x 22mm	4	
SPG419053	42mm x 28mm	4	
SPG419054	42mm x 35mm	4	
SPG419061	54mm x 15mm	4	
SPG419062	54mm x 22mm	4	
SPG419063	54mm x 28mm	4	
SPG419064	54mm x 35mm	4	
SPG419065	54mm x 42mm	4	
SPG419072	76.1mm x 22mm	1	
SPG419073	76.1mm x 28mm	1	
SPG419074	76.1mm x 35mm	1	
SPG419075	76.1mm x 42mm	1	
SPG419076	76.1mm x 54mm	1	
SPG419082	88.9mm x 22mm	1	
SPG419083	88.9mm x 28mm	1	
SPG419084	88.9mm x 35mm	1	
SPG419085	88.9mm x 42mm	1	
SPG419086	88.9mm x 54mm	1	
SPG419087	88.9mm x 76.1mm	1	
SPG419092	108mm x 22mm	1	
SPG419093	108mm x 28mm	1	
SPG419094	108mm x 35mm	1	
SPG419095	108mm x 42mm	1	
SPG419096	108mm x 54mm	1	
SPG419097	108mm x 76.1mm	1	
SPG419098	108mm x 88.9mm	1	



## SPG417 Gas Female Angle Adaptor

CODE	SIZE	PACK QTY	PRICE €
SPG417001	15mm x ½" FI	20	
SPG417002	22mm x ¾" FI	10	
SPG417003	28mm x 1" FI	10	
SPG417004	35mm x 1¼" FI	10	



## SPG425 Gas 45° M.I x F.I Elbow

CODE	SIZE	PACK QTY	PRICE €
SPG425001	15mm	20	
SPG425002	22mm	20	
SPG425003	28mm	10	
SPG425004	35mm	10	
SPG425005	42mm	4	
SPG425006	54mm	2	
SPG425007	76.1mm	1	
SPG425008	88.9mm	1	
SPG425009	108mm	1	



Note: Fittings above 54mm are made to order and subject to lead times.

Note: Fittings above 54mm are made to order and subject to lead times.

**SPG435 Gas 90° M.I x F.I Elbow**

CODE	SIZE	PACK QTY	PRICE €
SPG435001	15mm	20	
SPG435002	22mm	20	
SPG435003	28mm	10	
SPG435004	35mm	10	
SPG435005	42mm	4	
SPG435006	54mm	2	
SPG435007	76.1mm	1	
SPG435008	88.9mm	1	
SPG435009	108mm	1	

**SPG445 Gas 45° F.I x F.I Elbow**

CODE	SIZE	PACK QTY	PRICE €
SPG445001	15mm	20	
SPG445002	22mm	20	
SPG445003	28mm	10	
SPG445004	35mm	10	
SPG445005	42mm	4	
SPG445006	54mm	2	
SPG445007	76.1mm	1	
SPG445008	88.9mm	1	
SPG445009	108mm	1	

**Valve Connector With Swivel**

CODE	SIZE	PACK QTY	PRICE €
SPGS12001	15mm x 1/2" FI	20	
SPGS12002	22mm x 3/4" FI	20	
SPGS12003	28mm x 1" FI	10	
SPGS12004	35mm x 1 1/4" FI	10	
SPGS12005	42mm x 1 1/2" FI	4	
SPGS12006	54mm x 2" FI	4	
SPGS12007	54mm x 2 1/2" FI	1	
SPGS12008	76.1mm x 2 1/2" FI	1	
SPGS12009	88.9mm x 3" FI	1	

**SPG430 Gas Tee Press x Press x F.I**

CODE	SIZE	PACK QTY	PRICE €
SPG430001	15mm x 15mm x 1/2" FI	20	
SPG430221	22mm x 22mm x 1/2" FI	20	
SPG430002	22mm x 22mm x 3/4" FI	20	
SPG430331	28mm x 28mm x 1/2" FI	10	
SPG430332	28mm x 28mm x 3/4" FI	10	
SPG430003	28mm x 28mm x 1" FI	10	
SPG430441	35mm x 35mm x 1/2" FI	10	
SPG430442	35mm x 35mm x 3/4" FI	10	
SPG430443	35mm x 35mm x 1" FI	10	
SPG430004	35mm x 35mm x 1 1/4" FI	10	
SPG430551	42mm x 42mm x 1/2" FI	4	
SPG430552	42mm x 42mm x 3/4" FI	4	
SPG430553	42mm x 42mm x 1" FI	4	
SPG430005	42mm x 42mm x 1 1/2" FI	4	
SPG430661	54mm x 54mm x 1/2" FI	2	
SPG430662	54mm x 54mm x 3/4" FI	2	
SPG430663	54mm x 54mm x 1" FI	2	
SPG430006	54mm x 54mm x 2" FI	2	
SPG430772	76.1mm x 76.1mm x 3/4" FI	1	
SPG430776	76.1mm x 76.1mm x 2" FI	1	
SPG430882	88.9mm x 88.9mm x 3/4" FI	1	
SPG430883	88.9mm x 88.9mm x 1" FI	1	
SPG430886	88.9mm x 88.9mm x 2" FI	1	
SPG430992	108mm x 108mm x 3/4" FI	1	
SPG430993	108mm x 108mm x 1" FI	1	
SPG430995	108mm x 108mm x 1 1/2" FI	1	
SPG430996	108mm x 108mm x 2" FI	1	

**SPG440 Gas Flanged Adaptor PN16**

CODE	SIZE	PACK QTY	PRICE €
SPG440001	15mm	4	
SPG440002	22mm	4	
SPG440003	28mm	4	
SPG440004	35mm	4	
SPG440005	42mm	4	
SPG440006	54mm	4	
SPG440007	76.1mm	1	
SPG440008	88.9mm	1	
SPG440009	108mm	1	

**SPG451 Gas Stop End**

CODE	SIZE	PACK QTY	PRICE €
SPG451001	15mm	20	
SPG451002	22mm	10	
SPG451003	28mm	10	
SPG451004	35mm	10	
SPG451005	42mm	4	
SPG451006	54mm	4	
SPG451007	76.1mm	1	
SPG451008	88.9mm	1	
SPG451009	108mm	1	



Note: Fittings above 54mm are made to order and subject to lead times.

Note: Fittings above 54mm are made to order and subject to lead times.

# PIPE

## Instantor Stainless Steel Pipe - 5M Length

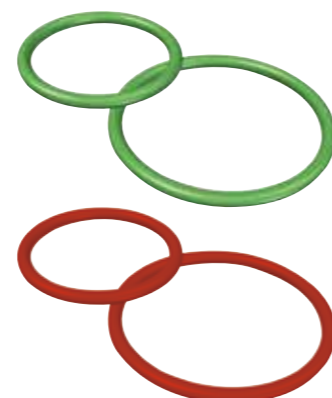
CODE	SIZE	BUNDLE QTY	PRICE €
ISSP111	15mm x 0.6mm	80	
ISSP112	22mm x 0.7mm	61	
ISSP113	28mm x 0.8mm	44	
ISSP114	35mm x 1.0mm	44	
ISSP115	42mm x 1.1mm	44	
ISSP116	54mm x 1.1mm	37	
ISSP117	76.1mm x 1.5mm	10	
ISSP118	88.9mm x 2.0mm	10	
ISSP119	108mm x 2.0mm	10	



# O-RINGS

## FKM O-Rings

CODE	SIZE	BUNDLE QTY	PRICE €
SP000001	15mm (Red)	10	
SP000002	22mm (Red)	10	
SP000003	28mm (Red)	10	
SP000004	35mm (Red)	10	
SP000005	42mm (Red)	10	
SP000006	54mm (Red)	10	
SP000013	76.1mm (Red)	4	
SP000014	88.9mm (Red)	4	
SP000015	108mm (Red)	4	
SP000007	15mm (Green)	10	
SP000008	22mm (Green)	10	
SP000009	28mm (Green)	10	
SP000010	35mm (Green)	10	
SP000011	42mm (Green)	10	
SP000012	54mm (Green)	10	
SP000016	76.1mm (Green)	4	
SP000017	88.9mm (Green)	4	
SP000018	108mm (Green)	4	



### FKM O-ring (Green) Fluoroelastomer Rubber

- Applications: Oils, hydrocarbons, solar, fuels, technical liquids, and compressed air (oil purity class 0-X).
- Temperature Range: -20°C to +200°C dry app (hot air) or wet app (oils or primary solar energy circuits)
- Max Pressure: 16 Bar

### FKM O-ring (Red) Fluoroelastomer Rubber

- Applications: Saturated steam and solar installations.
- Temperature Range: -10°C to +160°C (constant) Short peak exposure +170/180°C.
- Max Pressure: 7 Bar



### CERTIFICATION:



Instantor Stainless Steel Press Fittings & Pipe  
WRAS Approval Number: 2011112



Instantor Stainless Steel Gas Press Fittings  
BSI Kitemark Certificate Number: KM779147



Instantor Stainless Steel Gas Press Fittings  
DVGW Certificate Number: DW-8511BU0128  
Instantor Stainless Steel Pipe  
DVGW Certificate Number: DW-7301BS0260

## TECHNICAL INFORMATION

### PRESSING PROFILE:

M Profile - Sizes: 15, 22, 28, 35, 42, 54, 76.1, 88.9, 108mm

### APPLICATION:

Black EPDM O-rings Ethylene rubber: -20°C to +100°C

Suitable for use in the following applications:

- Hot & cold potable water systems
- Fire protection services
- Water based heating systems
- Compressed air (oil free)

Yellow HNBR O-rings Nitrile rubber: -20°C to +70°C

Suitable for use in the following applications:

- GAS MOP1 & MOP5, GT1

### SYSTEM TESTING:

The finished pipes undergo leak-tightness testing before being covered or painted. Water is used for testing in drinking water and heating installations. The results of the leak-tightness testing should be appropriately documented. If it is anticipated that the pipe installation will not be operational for an extended period after the leak-tightness test, and to protect the installation against potential corrosive processes (with a high probability of puncture corrosion), we recommend conducting the leak-tightness test using air instead of water (please verify whether corresponding authorization is required for conducting the air test).

### Drinking Water Installations

The leak-tightness test for the installed pipes is conducted in accordance with current regulations. The pipes should be filled with filtered water to eliminate any air. This leak-tightness test is employed for both the preliminary and main test; the preliminary test may suffice for smaller parts of the installation, such as connection and distribution piping in wet areas.

**Preliminary test:** Apply a test pressure equivalent to the acceptable overpressure plus 5 bar. Repeat this test pressure twice for ten minutes, within a total interval of 30 minutes. After an additional 30 minutes, the test pressure should not have decreased by more than 0.6 bar (0.1 bar per 5 minutes).

**Main test:** Immediately following the preliminary test. The test lasts 120 minutes. After this 120-minute period, the pressure reading from the end of the preliminary test should not have fallen by more than 0.2 bar. There should be no visible signs of leakage in any part of the installation checked.

**Air tightness test:** If deemed appropriate, should be conducted with the corresponding authorization.

### Heating Installations

The leak-tightness test for the pipes is conducted using water. In water-based heating systems, the test pressure is set at 1.3 times higher than the overall pressure at each point in the installation, with a minimum pressure increase of 1 bar. If possible, immediately after the leak-tightness test using cold water, the installation should be checked to verify its leak-tightness at its maximum temperature. This is accomplished by heating the water to the maximum temperature on which the calculation is based. The pipes are then flushed with drinking water before being put into operation.

### GUARANTEE:

Instantor Stainless Steel Press Fittings and Pipes come with a 10-year warranty, covering defects in manufacture attributable to our areas of responsibility. The warranty is applicable when the joint is created using Instantor Stainless Steel Press fittings and pipes, and the joint is press-fitted under a pressure of not less than 19kN for pipe diameters of 15-28mm and 32kN for pipe diameters of 28-54mm, using an Instantor Press M-profile jaw. For diameters greater than 54mm, please consult our technical department.

This warranty is not valid if the installation was performed by non-professionals or if the assembly instructions in our manual were not followed. Civil responsibility is limited to a period of ten years after the installation. In the event of damage, it must be communicated to us in writing within five days of the accident. Defective Instantor Stainless Steel Press Fittings and Pipes must be retained and made available to our technicians for the necessary checks in each case.



# Instantor<sup>®</sup>

## Tools

INSTANTOR  
TOOLS



Tools that perform - every step of the way.

There's no value in premium fittings if the tools behind them can't keep up. That's why Instantor Press Tools are built to the same high standard - reliable, durable, and ready for demanding work.

Whatever the press profile- VI, TH, or M, there's a kit ready to go. Instantor tools are engineered for versatility across a range of applications. Need to access tight or awkward spaces? Angled jaws and a rotating head make it easy. Single-handed operation enhances comfort and control, even in challenging conditions.

Now, with the introduction of the next-generation Instantor Press Tool, performance takes a step forward. Featuring automatic press operation, there's no need to hold the trigger - simply press for 1-2 seconds and release. An integrated press-completion light provides clear feedback: green for a successful press, red for an incomplete one.

Powered by a direct-drive, long-life brushless motor, the tool delivers powerful, consistent performance with an improved crimp speed to enhance efficiency on every job.

A high-contrast OLED screen provides clear information at a glance, including press counts, and battery status, while an integrated work light ensures visibility in low-light environments. The swivel head adds flexibility, making complex installations more manageable.

The tool remains fully compatible with existing Instantor jaws and battery packs, simplifying integration across workflows. Enhanced balance and ergonomics improve handling, reducing fatigue during extended use. Backed by a reassuring 3-year warranty, the Instantor Press Tool offers long-term reliability and peace of mind. Full calibration and servicing support is available across the range, helping ensure tools remain in peak condition over time.

35% FASTER INSTALLATIONS



# VI PROFILE

## Mini Press Tool 18V - VI Kit

CODE	CONTENTS	PRICE €
IT2020VIK	18V Mini Press Tool ½", ¾" & 1" VI Jaws 2 x 4.0Ah Batteries Storage Case Output - 19kN	

## New Mini Mechanical Press Tool 18V - VI Kit

CODE	CONTENTS	PRICE €
IT2030VIK	18V Mini Mechanical Press Tool ½", ¾" & 1" VI Jaws x2 4.0Ah Batteries Storage Case Output - 19kN	

## VI Jaws

CODE	CONTENTS	PRICE €
IT20019	½" VI	
IT20020	¾" VI	
IT20021	1" VI	

## VI Jaws - Angled

CODE	CONTENTS	PRICE €
IT20065	Adaptor	
IT20060	½" VI - Angled	
IT20061	¾" VI - Angled	
IT20062	1" VI - Angled	

## VI Jaw Case

CODE	CONTENTS	PRICE €
IT20050VIK	½", ¾" & 1" VI Jaws & Case	
IT20050	Case Only	



# M PROFILE

## Mini Press Tool 18V - M Kit

CODE	CONTENTS	PRICE €
IT2020MK	18V Mini Press Tool 15, 22 & 28mm M Jaws 2 x 4.0Ah Batteries Storage Case Output - 19kN	

## New Mini Mechanical Press Tool 18V - M Kit

CODE	CONTENTS	PRICE €
IT2030MK	18V Mini Mechanical Press Tool 15, 22 & 28mm M Jaws 2 x 4.0Ah Batteries Storage Case Output - 19kN	

## Large Press Tool 18V - M Kit

CODE	CONTENTS	PRICE €
IT2040MK	18V Mini Press Tool 35, 42 & 54mm M Jaws Adaptor Tongs (Required for 42 & 54mm Jaws) 2 x 4.0Ah Batteries Storage Case Output - 32kN	

## M Jaws

CODE	CONTENTS	PRICE €
IT20030	15mm M	
IT20031	22mm M	
IT20032	28mm M	
IT20033	35mm M	
IT20034*	42mm M Jaw Ring	
IT20035*	54mm M Jaw Ring	
IT20029	Adaptor Tong for 42 & 54mm	

\*Requires Adaptor Tong IT20029

## M Jaws - Angled

CODE	CONTENTS	PRICE €
IT20065	Adaptor	
IT20063	15mm M - Angled	
IT20064	22mm M - Angled	

## M Jaw Case

CODE	CONTENTS	PRICE €
IT20050MK	15, 22 & 28mm Jaws & Case	
IT20050	Case Only	



# TH PROFILE

## Mini Press Tool 18V - TH Kit

CODE	CONTENTS	PRICE €
IT2020THK	18V Mini Press Tool 16, 20, 26 & 32mm TH Jaws 2 x 4.0Ah Batteries Storage Case Output - 19kN	

## New Mini Mechanical Press Tool 18V - TH Kit

CODE	CONTENTS	PRICE €
IT2030THK	18V Mini Mechanical Press Tool 16, 20, 26 & 32mm TH Jaws 2 x 4.0Ah Batteries Storage Case Output - 19kN	

## Large Press Tool 18V - TH Kit

CODE	CONTENTS	PRICE €
IT2040THK	18V Mini Press Tool 40, 50 & 63mm M Jaws Adaptor Tongs (Required for 50 & 63mm Jaws) 2 x 4.0Ah Batteries Storage Case Output - 32kN	

## TH Jaws

CODE	SIZE	PRICE €
IT20022	16mm TH	
IT20023	20mm TH	
IT20024	26mm TH	
IT20025	32mm TH	
IT20026	40mm TH	
IT20027*	50mm TH Jaw Ring	
IT20028*	63mm TH Jaw Ring	
IT20029	Adaptor Tong for 50 & 63mm	

\*Requires Adaptor Tong IT20029

## TH Jaw Case

CODE	CONTENTS	PRICE €
IT20050THK	16, 20, 26 & 32mm Jaws & Case	
IT20050	Case Only	



# ACCESSORIES

## 4.0Ah Battery

CODE	DESCRIPTION	PRICE €
IT20042	Spare 4.0Ah Battery	



## Pipe Deburrer

CODE	DESCRIPTION	PRICE €
900126	10mm-54mm	



## Drill Pipe Reamers

CODE	SIZE	PRICE €
IP20050	Full Kit incl. 16, 20, 26 & 32 mm + Manual T-Handle	
IP20051	16mm Drill Reamer	
IP20052	20mm Drill Reamer	
IP20053	26mm Drill Reamer	
IP20054	32mm Drill Reamer	
IP20066	40mm Drill Reamer	
IP20067	50mm Drill Reamer	
IP20059	Manual T-Handle	



## Manual Pipe Reamer

CODE	SIZE	BOX QTY	PRICE €
IP20010	16mm - 26mm	40	
IP20011	20mm - 32mm	30	



## Pipe Cutter

CODE	SIZE	PRICE €
IP20016	Up to 32mm	
IP20009	Up to 63mm	



## Tube Cutter

CODE	SIZE	PRICE €
900115	15mm / 1/2"	
900122	22mm	
900121	3/4"	
900117	28mm	
900123	1"	



# PAKTERMO

by  Instantor®

## CORRUGATED STAINLESS STEEL TUBE & FITTINGS

10  
YEAR  
WARRANTY

### Cut Time, Not Corners - Gas Installs Made Simple.

Installing gas systems doesn't have to be a headache. With Paktermo by Instantor, you'll get the job done up to 70% faster. Paktermo's corrugated stainless steel tubes and brass fittings make gas installs a walk in the park. Fewer tools are needed, and with no split rings or PTFE tape, you can forget about all the fiddly bits that slow you down.

Whether you're working inside or out, Paktermo's got you sorted. It's safer, more reliable, and with heat-shrink sleeves making installs a breeze, you'll get a perfect fit every time. Plus, the fittings are reusable, so you're cutting down on waste and saving a few quid too.

Here's the deal - all components have to be Paktermo branded to guarantee a perfect fit. Our fittings come with an 8mm spacer to make pipe placement a doddle, and with a 10-year guarantee, you can trust this system to last. Plus, by cutting out extra steps and tools, you'll be working more safely and conveniently than ever before.

With Paktermo by Instantor, you're getting more than just materials - you're getting faster installs, fewer tools, and zero hassle. It's a system built to make your life easier, letting you focus on getting the job done right, the first time, every time.



# PAKTERMO

by  Instantor®

## INSTALLATION INSTRUCTIONS



1. Trim the tubing to the desired length using a tube cutters positioned between two corrugations. Gradually increase roller pressure after each turn. If the tube end isn't smooth and contains burrs, trim it again.



7. Hand-tighten the nut after inserting the tube into the fittings. Then, use a wrench to further tighten the nut. Ensure that the tubing remains fixed while tightening the nut. Tighten the nuts until they are securely in place ensuring not to over tighten.



2. Place the sleeve remover tool around the tube, ensuring it's approximately 80mm from the cut end. Rotate it at least three times to slice through the outer layer while preserving the inner covering intact.



8. Trim the heat shrink tube to match the length needed to cover the fittings and pipe connection area. Once the end connection is assembled, slide the heat shrink tube onto it.

NB: Minimum length of 300mm heat shrink required to ensure full protection of fitting & tube.



3. To remove the outer sleeve, firmly hold one end with one hand, and twist and pull it off the pipe with your other hand.



9. Apply a hot air gun to shrink the tube over the pipe and fittings.



4. Use a utility knife or a sleeve remover tool to cut the inner cover from the tubing end. Cut at the 6th corrugation for DN15, DN20, DN25, and DN32, and at the 5th corrugation for DN40 and DN50. Pay close attention to the number of corrugations.



10. Trim and tidy up the heat shrink parts that extend toward the teeth of the fittings using a utility knife.



5. Insert the tube into the fittings securely until the metal part of the tube is no longer visible.



6. Remove the yellow rings between the nut and fitting.



 PAKTERMO



# Fittings

## Straight Coupler

CODE	SIZE	PRICE €
P26.F2.01	DN15	
P26.F2.02	DN20	
P26.F2.03	DN25	
P26.F2.04	DN32	
P26.F2.05	DN40	
P26.F2.06	DN50	



## Male Connector

CODE	SIZE	PRICE €
P26.F1.01	DN15 x R 1/2"	
P26.F1.06	DN20 x R 1/2"	
P26.F1.02	DN20 x R 3/4"	
P26.F1.03	DN25 x R 3/4"	
P26.F1.04	DN25 x R 1"	
P26.F1.07	DN32 x R 1"	
P26.F1.05	DN32 x R 1 1/4"	
P26.F1.21	DN40 x R 1 1/2"	
P26.F1.24	DN50 x R 2"	



## Female Connector

CODE	SIZE	PRICE €
P26.FM.01	DN15 x 1/2" F	
P26.FM.07	DN20 x 1/2" F	
P26.FM.02	DN20 x 3/4" F	
P26.FM.08	DN25 x 1/2" F	
P26.FM.03	DN25 x 3/4" F	
P26.FM.04	DN25 x 1" F	
P26.FM.09	DN32 x 3/4" F	
P26.FM.06	DN32 x 1" F	
P26.FM.05	DN32 x 1 1/4" F	



## Copper Compression Straight

CODE	SIZE	PRICE €
P26.F25.01	DN 15 x 15mm	
P26.F25.02	DN 20 x 15mm	
P26.F25.03	DN 20 x 22mm	
P26.F25.04	DN 25 x 22mm	
P26.F25.05	DN 25 x 28mm	
P26.F25.06	DN 32 x 28mm	
P26.F25.07	DN 32 x 35mm	
P26.F25.08	DN 32 x 22mm	



## Tee

CODE	SIZE	PRICE €
P26.F3.01	DN 20 x 15 x 20mm	
P26.F3.02	DN 20 x 20 x 20mm	
P26.F3.03	DN 25 x 15 x 20mm	
P26.F3.04	DN 25 x 25 x 25mm	
P26.F3.05	DN 32 x 25 x 25mm	
P26.F3.06	DN 25 x 20 x 25mm	
P26.F3.07	DN 15 x 15 x 15mm	
P26.F3.08	DN 20 x 15 x 15mm	
P26.F3.10	DN 25 x 20 x 15mm	
P26.F3.12	DN 25 x 20 x 20mm	
P26.F3.13	DN 20 x 25 x 20mm	
P26.F3.14	DN 25 x 25 x 20mm	



## Tube

CODE	SIZE	PRICE €
P26.D1.30	DN15 - 30M Coil	
P26.D1.75	DN15 - 75M Coil	
P26.D2.30	DN20 - 30M Coil	
P26.D2.75	DN20 - 75M Coil	
P26.D3.30	DN25 - 30M Coil	
P26.D3.75	DN25 - 75M Coil	
P26.D4.30	DN32 - 30M Coil	
P26.D4.75	DN32 - 75M Coil	
P26.D5.30	DN40 - 30M Coil	
P26.D5.75	DN40 - 75M Coil	
P26.D6.30	DN50 - 30M Coil	
P26.D6.75	DN50 - 75M Coil	



## Packs

CODE	CONTENTS	PRICE €
Y68ST15D05	Duo Hose DN15x5M, 2 x Male Connection DN15 x R 1/2", 2 x 30cm DN15 Heat Shrink	
Y68ST15D10	Duo Hose DN15x10M, 2 x Male Connection DN15 X R 1/2", 2 x 30cm DN15 Heat Shrink	
Y68ST15D15	Duo Hose DN15x15M, 2 x Male Connection DN15 X R 1/2", 2 x 30cm DN15 Heat Shrink	
Y68ST20D05	Duo Hose DN20x5M, 2 x Male Connection DN20 X R 3/4", 2 x 30cm DN20 Heat Shrink	
Y68ST20D10	Duo Hose DN20x10M, 2 x Male Connection DN20 X R 3/4", 2 x 30cm DN20 Heat Shrink	
Y68ST20D15	Duo Hose DN20x15M, 2 x Male Connection DN20 X R 3/4", 2 x 30cm DN20 Heat Shrink	

## Heat Shrink

CODE	SIZE	PRICE €
PLC.01	Ø40 DN15 - 3M Length	
PLC.02	Ø50 DN20-25 - 3M Lengths	
PLC.03	Ø70 DN32 - 3M Lengths	
PLC.04	Ø80 DN40 - 3M Lengths	

## Tools

CODE	SIZE	PRICE €
PSA01	Sleeve Removal Tool DN15-DN25	
PKA01	Pipe Cutter DN15-DN50	

# PAKTERMO

by  Instantor®

HEAT PUMP HOSES  
& PUSH-FIT FITTINGS

10  
YEAR  
WARRANTY

## Smarter Heat Pump Installs Start Here.

Say goodbye to clunky, rigid pipework and hello to flexibility with PAKTERMO HP hoses – the no-fuss solution for fast, secure heat pump connections. Featuring a UV-resistant outer layer and closed-cell insulation to fend off the elements, these hoses help heat pump systems run efficiently by minimising heat loss and preventing condensation.

Supplied in ready-to-use 10m coils, they can be easily cut to length, ideal for tight installs close to the house wall. And with flexible corrugated pipework, you've got the freedom to position the outdoor unit exactly where it works best. Heat pumps generate vibration and pressure shifts during operation, but PAKTERMO HP hoses are built to handle it. The stainless steel construction absorbs vibration and pressure spikes, protecting connections and extending system life. And thanks to rust-resistant materials, you'll cut down on corrosion worries, keeping your install tight and reliable. From fast fit-outs to long-term peace of mind, these hoses deliver performance, flexibility, and simplicity, just the way it should be.

## Push-Fit, Stress-Free.

Pair your PAKTERMO HP hoses with Paktermo Push-Fit fittings, and you've got a system that's as smart as it is simple. No fiddly parts, no extra steps, just push the fitting onto the pipe, tighten with a wrench, and you're good to go. It's a faster, cleaner way to connect, cutting install time by up to 50%. The secure seal keeps leaks locked out, and if you need to make changes later, disassembly is quick and tool-free. Designed for speed and built to last – pair them with PAKTERMO HP hoses for a seamless heat pump installation.



# PAKTERMO

by  Instantor®

## INSTALLATION INSTRUCTIONS



1. To install Paktermo by Instantor heat pump hoses, strip at least six grooves of the corrugated pipe to expose a clean section. Then push the fitting over the stripped pipe with firm pressure until you hear a clicking sound, indicating that the fitting is securely locked in place.



2. Remove the blue plastic ring located between the union nut and the fitting.



3. First, tighten the nut by hand after inserting the tube into the fitting. Then, using a wrench, further tighten the nut while keeping the tubing fixed in place. Tighten the nut until it is in abutment, but do not exceed the torque values specified in the table.

Tube Diameter	Assemble Torque Values (Nm) Outer Diameter	
	Min.	Max.
32mm	100	130

## TECHNICAL SPECIFICATIONS

**Material:** Stainless Steel 316L (1.4404)  
**Diameter Range:** DN32  
**Temperature Range:** -270°C + 600°C  
**Test Pressure:** 1.5 times the max working pressure  
**Burst Pressure:** 4 times the max working pressure  
**Standard:** EN ISO 10380

DN	Inner Diameter	Outer Diameter	Tolerance	Minimum Bending Radius Static	Maximum Working Pressure at 20°C	Surface Area	Internal Volume
32mm / 1 1/4"	32mm	38.70mm	±0.5mm	40r min. mm	5bar	0.199 m <sup>2</sup> /m	0.930 dm <sup>3</sup> /m



# Heat Pump Hoses & Push-fit Fittings

## Heat Pump Corrugated Pipe

CODE	SIZE	PRICE €
11CFP32	DN 32 x 10M Coil	

## Male Connection

CODE	SIZE	PRICE €
Y68P50F105	DN 32 x 1 1/4" M	
Y68P50F123	DN 32 x 1 1/2" M	



## Female Connection

CODE	SIZE	PRICE €
Y68P50FM05	DN 32 x 1 1/4" F	
Y68P50FM12	DN 32 x 1 1/2" F	



## Union Connection

CODE	SIZE	PRICE €
Y68P50F204	DN 32 x DN 32	



## Insulated Tape

CODE	SIZE	PRICE €
Y68350021	3m x 75mm	



## Pipe Bracket

CODE	SIZE	PRICE €
15YD0032	DN 32	





# Instantor<sup>®</sup>

Pex Pipe





# Instantor<sup>®</sup>

## Pex Pipe

Instantor-Pex is designed for use with existing I.S. EN 1254-2:1998 compliant fittings and inserts. It can also be used with other approved proprietary fitting systems.

Ideal for conventional central heating, underfloor heating, hot and cold running water and all general plumbing applications.

### INSTANTOR<sup>®</sup>- Pex Coils

CODE	SIZE	PRICE €
772001	½" x 100m Coil	
772002	¾" x 50m Coil	
772004	1" x 10m Coil	
772014	1" x 50m Coil	



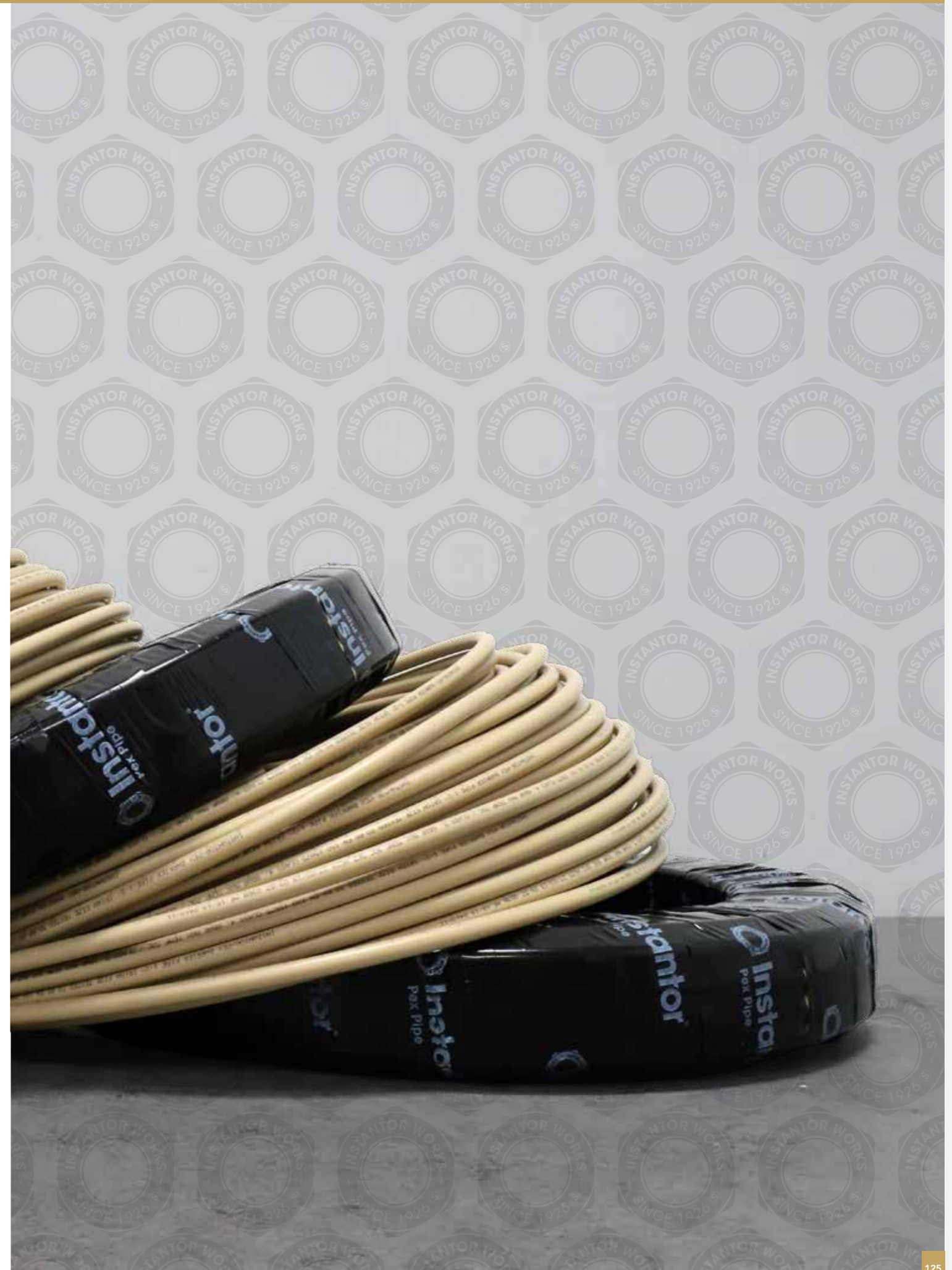
### INSTANTOR<sup>®</sup>- Pex Lengths

CODE	SIZE	PRICE €
772008	½" x 5.8m - 10 Pack	
772009	¾" x 5.8m - 10 Pack	
772010	1" x 5.8m - 10 Pack	



### INSTANTOR<sup>®</sup>- Pex Inserts

CODE	SIZE	BAG QTY	PRICE €
772011 PK	½" Copper	200	
772012 PK	¾" Copper	100	
772013	1" Copper	50	
772015	½" Plastic	500	
772016	¾" Plastic	300	
772017	1" Plastic	50	





# Instantor<sup>®</sup>

## Solder Ring / Capillary & End Feed / Brazing Fittings



### C10 Straight Coupler C x C



CODE	SIZE	BOX QTY	PACK QTY	PRICE €
C10001	1/2"	1000	100	
C10002	3/4"	500	50	
C10003	1"	300	10	
C10004	1 1/4"	160	5	
C10005	1 1/2"	-	5	
C10006	2"	-	5	
C10021	3/4" x 1/2"	-	25	
C10032	1" x 3/4"	-	25	

### C14 Straight Tap Connector C x F.I.



CODE	SIZE	BOX QTY	PACK QTY	PRICE €
C14001	1/2"	-	25	
C14002	3/4"	-	25	

### C15 Elbow C x C



CODE	SIZE	BOX QTY	PACK QTY	PRICE €
C15001	1/2"	1000	20	
C15002	3/4"	400	15	
C15003	1"	150	10	
C15004	1 1/4"	120	5	
C15005	1 1/2"	-	5	
C15006	2"	-	6	

### C18 Equal Tee C x C x C



CODE	SIZE	BOX QTY	PACK QTY	PRICE €
C18001	1/2"	500	20	
C18002	3/4"	240	15	
C18003	1"	120	10	
C18004	1 1/4"	60	10	
C18005	1 1/2"	-	5	
C18006	2"	-	2	

### C18 Reducing Tee C x C x C



CODE	SIZE	BOX QTY	PACK QTY	PRICE €
C18221	3/4" x 3/4" x 1/2"	240	15	
C18212	3/4" x 1/2" x 3/4"	240	15	
C18211	3/4" x 1/2" x 1/2"	240	15	
C18322	1" x 3/4" x 3/4"	120	10	
C18323	1" x 3/4" x 1"	120	10	
C18332	1" x 1" x 3/4"	150	10	
C18331	1" x 1" x 1/2"	120	10	
C18313	1" x 1/2" x 1"	120	10	

### C27 Bent Tap Connector C x F.I.



CODE	SIZE	BOX QTY	PACK QTY	PRICE €
C13001	1/2"	-	25	

### C48 Fitting Reducer



CODE	SIZE	BOX QTY	PACK QTY	PRICE €
C19021	3/4" x 1/2"	-	25	
C19031	1" x 1/2"	-	25	
C19032	1" x 3/4"	-	10	
C19043	1 1/4" x 1"	-	10	
C19054	1 1/2" x 1 1/4"	-	10	
C19065	2" x 1 1/2"	-	4	

### C48M Fitting Reducer to Metric

CODE	SIZE	BOX QTY	PACK QTY	PRICE €
C19010	1/2" x 10mm	-	25	

### C72 Stop End



CODE	SIZE	BOX QTY	PACK QTY	PRICE €
C10721	1/2"	-	20	
C10722	3/4"	-	15	
C10723	1"	-	10	

### M10 Straight Coupler C x C



CODE	SIZE	BOX QTY	PACK QTY	PRICE €
M10077	8mm	-	20	
M10088	10mm	-	20	
M10001	15mm	-	20	
M10002	22mm	-	15	
M10003	28mm	-	10	
M10004	35mm	-	10	
M10005	42mm	-	5	
M10006	54mm	-	5	
M10011	15mm x 1/2"	-	100	
M10022	22mm x 3/4"	-	25	
M10017	15mm x 8mm	-	-	
M10018	15mm x 10mm	-	-	
M10021	22mm x 15mm	-	-	
M10031	28mm x 15mm	-	-	
M10032	28mm x 22mm	-	-	

### M11 Straight Coupler M.I. x C



CODE	SIZE	BOX QTY	PACK QTY	PRICE €
M11001	15mm x 1/2"	-	25	
M11002	22mm x 3/4"	-	50	
M11003	28mm x 1"	-	10	

### M12 Straight Coupler F.I. x C



CODE	SIZE	BOX QTY	PACK QTY	PRICE €
M12001	15mm x 1/2"	-	25	
M12002	22mm x 3/4"	-	25	
M12003	28mm x 1"	-	25	

### M14 Straight Tap Connector C x F.I.



CODE	SIZE	BOX QTY	PACK QTY	PRICE €
M14001	15mm	-	20	
M14002	22mm	-	25	
M13001	15mm BENT	-	-	

### M15 Elbow C x C



CODE	SIZE	BOX QTY	PACK QTY	PRICE €
M15077	8mm	-	20	
M15088	10mm	-	20	
M15001	15mm	-	20	
M15002	22mm	-	15	
M15003	28mm	-	10	
M15004	35mm	-	5	
M15005	42mm	-	5	
M15006	54mm	-	4	

### M16 Elbow M.I. x C



CODE	SIZE	BOX QTY	PACK QTY	PRICE €
M16001	15mm x 1/2"	-	25	
M16002	22mm x 3/4"	-	25	

### M17 Elbow F.I. x C



CODE	SIZE	BOX QTY	PACK QTY	PRICE €
M17001	15mm x 1/2"	-	25	

### M18 Tee C x C x C



CODE	SIZE	BOX QTY	PACK QTY	PRICE €
M18777	8mm	-	20	
M18888	10mm	-	20	
M18001	15mm	-	20	
M18002	22mm	-	15	
M18003	28mm	-	10	
M18004	35mm	-	5	
M18005	42mm	-	5	
M18006	54mm	-	4	

### M18 Tee C x C x C



CODE	SIZE	BOX QTY	PACK QTY	PRICE €
M18212	22 x 15 x 22mm	-	15	
M18211	22 x 15 x 15mm	-	15	
M18221	22 x 22 x 15mm	-	15	
M18223	22 x 22 x 28mm	-	10	
M18313	28 x 15 x 28mm	-	-	
M18322	28 x 22 x 22mm	-	10	
M18323	28 x 22 x 28mm	-	10	
M18331	28 x 28 x 15mm	-	10	
M18332	28 x 28 x 22mm	-	10	
M18441	35 x 35 x 15mm	-	5	
M18443	35 x 35 x 28mm	-	5	
M18551	42 x 42 x 15mm	-	4	
M18661	54 x 54 x 15mm	-	2	
M18662	54 x 54 x 22mm	-	2	
M18663	54 x 54 x 28mm	-	2	

### M45 Obtuse Bend



CODE	SIZE	BOX QTY	PACK QTY	PRICE €
M45001	15mm	-	10	
M45002	22mm	-	10	
M45003	28mm	-	10	
M45004	35mm	-	10	
M45005	42mm	-	10	
M45006	54mm	-	10	

### M25 Street Elbow

CODE	SIZE	BOX QTY	PACK QTY	PRICE €
M25001	15mm	-	-	
M25002	22mm	-	-	
M25003	28mm	-	-	

### M48 Fitting Reducer



CODE	SIZE	BOX QTY	PACK QTY	PRICE €
M19017	15 x 8mm	-	20	
M19018	15 x 10mm	-	20	
M19021	22 x 15mm	-	20	
M19031	28 x 15mm	-	10	
M19032	28 x 22mm	-	10	
M19042	35 x 22mm	-	-	
M19043	35 x 28mm	-	-	
M19052	42 x 22mm	-	4	
M19054	42 x 35mm	-	-	
M19061	54 x 15mm	-	2	
M19062	54 x 22mm	-	5	
M19065	54 x 42mm	-	-	

### M72 Stop End



CODE	SIZE	BOX QTY	PACK QTY	PRICE €
M10721	15mm	-	20	
M10722	22mm	-	10	
M10723	28mm	-	10	
M10724	35mm	-	5	
M10725	42mm	-	5	
M10726	54mm	-	5	

#### Note:

Sanbra Fyffe Solder Ring Capillary Fittings conform to EN 1254-1 and are lead free to suit Imperial and Metric Copper Tube Sizes

## SE10 Coupling EF



CODE	SIZE	BOX QTY	PACK QTY	PRICE €
SE10065	8mm	-	25	
SE10066	10mm	-	25	
SE10001	15mm	-	25	
SE10002	22mm	-	25	
SE10003	28mm	-	10	
SE10004	35mm	-	5	
SE10005	42mm	-	5	
SE10006	54mm	-	5	
SE10007	67mm	-	L	
SE10008	76mm	-	L	
SE10018	15 x 10mm	-	25	
SE10031	28 x 15mm	-	10	
SE10054	42 x 35mm	-	10	
SE10064	54 x 35mm	-	10	

## SE11 Straight Coupler MI



CODE	SIZE	BOX QTY	PACK QTY	PRICE €
SE11001	1/2" x 15mm	-	25	
SE11002	3/4" x 22mm	-	25	
SE11003	1" x 28mm	-	10	
SE11004	1 1/4" x 35mm	-	10	
SE11005	1 1/2" x 42mm	-	5	
SE11006	2" x 54mm	-	5	

## SE12 Straight Coupler FI

CODE	SIZE	BOX QTY	PACK QTY	PRICE €
SE12001	1/2" x 15mm	-	-	
SE12002	3/4" x 22mm	-	-	
SE12003	1" x 28mm	-	-	
SE12004	1 1/4" x 35mm	-	-	
SE12005	1 1/2" x 42mm	-	-	
SE12006	2" x 54mm	-	-	

## SE45 45 Degree Elbow EF



CODE	SIZE	BOX QTY	PACK QTY	PRICE €
SE45065	8mm	-	25	
SE45066	10mm	-	25	
SE45001	15mm	-	25	
SE45002	22mm	-	25	
SE45003	28mm	-	10	
SE45004	35mm	-	5	
SE45005	42mm	-	5	
SE45006	54mm	-	5	

## SE19 Fitting Reducer EF



CODE	SIZE	BOX QTY	PACK QTY	PRICE €
SE19087	10 x 8mm	-	25	
SE19019	15 x 8mm	-	25	
SE19018	15 x 10mm	-	25	
SE19021	22 x 15mm	-	25	
SE19031	28 x 15mm	-	10	
SE19032	28 x 22mm	-	10	
SE19041	35 x 15mm	-	10	
SE19042	35 x 22mm	-	10	
SE19043	35 x 28mm	-	10	
SE19051	42 x 15mm	-	5	
SE19052	42 x 22mm	-	5	
SE19053	42 x 28mm	-	5	
SE19054	42 x 35mm	-	5	
SE19061	54 x 15mm	-	5	
SE19062	54 x 22mm	-	5	
SE19063	54 x 28mm	-	2	
SE19064	54 x 35mm	-	2	
SE19065	54 x 42mm	-	2	

## SE51 Stop End EF



CODE	SIZE	BOX QTY	PACK QTY	PRICE €
SE51010	8mm	-	25	
SE51011	10mm	-	25	
SE51001	15mm	-	25	
SE51002	22mm	-	25	
SE51003	28mm	-	25	
SE51004	35mm	-	10	
SE51005	42mm	-	5	
SE51006	54mm	-	2	

## SE18 Tee EF



CODE	SIZE	BOX QTY	PACK QTY	PRICE €
SE18011	8mm	-	25	
SE18012	10mm	-	25	
SE18001	15mm	-	25	
SE18002	22mm	-	25	
SE18003	28mm	-	10	
SE18004	35mm	-	5	
SE18005	42mm	-	5	
SE18006	54mm	-	2	

## SE15 90 Degree Elbow EF



CODE	SIZE	BOX QTY	PACK QTY	PRICE €
SE15011	8mm	-	25	
SE15012	10mm	-	25	
SE15001	15mm	-	25	
SE15002	22mm	-	25	
SE15003	28mm	-	10	
SE15004	35mm	-	5	
SE15005	42mm	-	5	
SE15006	54mm	-	5	

## SE35 90 Degree Street Elbow EF



CODE	SIZE	BOX QTY	PACK QTY	PRICE €
SE35001	15mm	-	25	
SE35002	22mm	-	25	
SE35003	28mm	-	10	
SE35004	35mm	-	5	
SE35005	42mm	-	5	
SE35006	54mm	-	2	

## SE18 Reducing Tee EF



CODE	SIZE	PACK QTY	PRICE €
SE18209	10 x 8 x 10mm	25	
SE18210	15 x 15 x 28mm	25	
SE18211	22 x 15 x 15mm	25	
SE18212	22 x 15 x 22mm	25	
SE18221	22 x 22 x 15mm	25	
SE18223	22 x 22 x 28mm	10	
SE18311	28 x 15 x 15mm	10	
SE18312	28 x 15 x 22mm	10	
SE18313	28 x 15 x 28mm	10	
SE18321	28 x 22 x 15mm	10	
SE18322	28 x 22 x 22mm	10	
SE18334	28 x 28 x 35mm	10	
SE18323	28 x 22 x 28mm	10	
SE18331	28 x 28 x 15mm	10	
SE18332	28 x 28 x 22mm	10	
SE18414	35 x 15 x 35mm	5	
SE18422	35 x 22 x 22mm	5	
SE18424	35 x 22 x 35mm	5	
SE18431	35 x 28 x 15mm	5	
SE18432	35 x 28 x 22mm	5	
SE18433	35 x 28 x 28mm	5	
SE18434	35 x 28 x 35mm	5	
SE18441	35 x 35 x 15mm	5	
SE18442	35 x 35 x 22mm	5	
SE18443	35 x 35 x 28mm	5	
SE18445	35 x 35 x 42mm	5	
SE18535	42 x 28 x 42mm	5	
SE18543	42 x 35 x 28mm	5	
SE18544	42 x 35 x 35mm	5	
SE18545	42 x 35 x 42mm	2	
SE18551	42 x 42 x 15mm	2	
SE18552	42 x 42 x 22mm	2	
SE18553	42 x 42 x 28mm	2	
SE18554	42 x 42 x 35mm	2	
SE18655	54 x 42 x 42mm	2	
SE18656	54 x 42 x 54mm	2	
SE18661	54 x 54 x 15mm	2	
SE18662	54 x 54 x 22mm	2	
SE18663	54 x 54 x 28mm	2	
SE18664	54 x 54 x 35mm	2	
SE18665	54 x 54 x 42mm	2	



# Sanbra®

## Prime Plumb



### C x C WRAS Approved Lever Ballvalves

CODE	SIZE	PRICE €
771788	1/2"	
771789	3/4"	
771790	1"	
771719	15mm	
771720	22mm	
771730	28mm	



Please specify red or blue when ordering

### C x C Standard Lever Ballvalves

CODE	SIZE	PRICE €
771754	1 1/4"	
771755	1 1/2"	
771756	2"	



### F.I x F.I WRAS Approved Lever Ballvalves

CODE	SIZE	PRICE €
771635	1/4"	
771636	3/8"	
771637	1/2"	
771638	3/4"	
771639	1"	
771704W	1 1/4"	
771705W	1 1/2"	
771706W	2"	



Please specify red or blue when ordering

### M.I x F.I Manifolds



CODE	SIZE	PRICE €
771871	3/4" x 1/2" - 2 Port	
771872	1" x 1/2" - 2 Port	
771874	3/4" x 1/2" - 3 Port	
771875	1" x 1/2" - 3 Port	
771877	3/4" x 1/2" - 4 Port	
771878	1" x 1/2" - 4 Port	

Manifold Brackets Available on Request

### M.I x F.I Manifolds WRAS Approved



CODE	SIZE	PRICE €
771871PW	3/4" x 1/2" - 2 Port	
771872PW	1" x 1/2" - 2 Port	
771874PW	3/4" x 1/2" - 3 Port	
771875PW	1" x 1/2" - 3 Port	
771877PW	3/4" x 1/2" - 4 Port	
771878PW	1" x 1/2" - 4 Port	

Manifold Brackets Available on Request

Many lines also available in Metric

### Thermostatic Radiator Valves

CODE	SIZE	PRICE €
771000	½" Standard Pair	
771096	Pack (1 of each)	



### Heated Towel Rail Valves

CODE	SIZE	PRICE €
599370	½" Angled	
599371	½" Straight	



### C X C Isolating Valve

CODE	SIZE	PRICE €
700051	½"	
700061	¾"	



### C X C Spring Loaded Non-Return Valve

CODE	SIZE	PRICE €
771851	½"	
771852	¾"	
771853	1"	



### F.I X F.I Spring Loaded Non-Return Valve

CODE	SIZE	PRICE €
771841	½"	
771842	¾"	
771843	1"	
771844	1¼"	
771845	1½"	



### F.I X F.I Swing Check Valve

CODE	SIZE	PRICE €
771801	½"	
771802	¾"	
771803	1"	
771804	1¼"	
771805	1½"	
771806	2"	



### Safety Valve

CODE	SIZE	PRICE €
771861	½" - 3 Bar	
771866	½" - 6 Bar	
771864K	½" with gauge - 3 Bar	



### Gate Type Pump Valves

CODE	SIZE	PRICE €
771042	¾" C	
771043	1" C	
771058	22mm C	
771059	28mm C	
771158	¾" F.I	
771159	1" F.I	
771051	Pump Valve Nut & Washer	



### Ball Type Pump Valves

CODE	SIZE	PRICE €
771052	¾" C	
771053	1" C	
771057	28mm C	
771157	1" F.I	



### Sanbra® Remote Fire Valve

CODE	SIZE	PRICE €
TFV6515	65°C - 1.5m	
TFV9015	90°C - 1.5m	
TFV6530	65°C - 3m	
TFV9030	90°C - 3m	
TFV6560	65°C - 6m	
TFV9060	90°C - 6m	
TFV9090	90°C - 9m	
TFV65120	66°C - 12m	



### Standard Fire Valve

CODE	SIZE	PRICE €
771060	10mm	



### Oil Filter (Metal Bowl Type)

CODE	SIZE	PRICE €
771055	¾"	



### Sanbra® Automatic Air Bottle

CODE	SIZE	PRICE €
771141	½" BSP	



### Automatic Air Bottle

CODE	SIZE	PRICE €
771041	½" With Check Valve	



### Agri Tank Ballvalves



CODE	SIZE	PRICE €
With Brass Backnuts		
750310	1/2" HP - 3" Tail - 6" Arm	
750311	1/2" HP - 4" Tail - 6" Arm	
750305	1/2" HP - 1 1/2" Tail - 6" Arm	
With Plastic Backnuts		
750014	1/2" HP - 1 3/8" Tail - 6" Arm	

### Domestic Ballvalves



CODE	SIZE	PRICE €
With Brass Backnuts		
750013	1/2" HP - 1 3/8" Tail - 8" Arm	
750113	1/2" LP - 1 3/8" Tail - 8" Arm	
750023	3/4" HP - 1 1/2" Tail - 13" Arm	
750123	3/4" LP - 1 1/2" Tail - 13" Arm	
750033	1" HP - 1" Tail - 16" Arm	
750046	1 1/4" HP - 1 3/4" Tail - 22" Arm	
750056	1 1/2" HP - 1 3/4" Tail - 22" Arm	
750066	2" HP - 2" Tail - 29" Arm	
With Plastic Backnuts		
750016	1/2" HP - 1 1/8" Tail - 8" Arm	

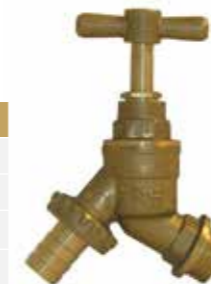
### Poly & Copper Floats



CODE	SIZE	FOR BALLVALVE	PRICE €
755310	3" x 5/16" whit	1/2"	
755312	4 1/2" x 5/16" whit	1/2"	
755313	6" x 5/16" whit	3/4"	
755316	8" x 7/16" whit	1"	
755317	10" x 9/16" whit	1 1/4", 1 1/2"	
755320	10" Copper x 9/16" whit	1 1/4", 1 1/2"	
755318	12" x 5/8" whit	2"	

### Hose Union Bibcock

CODE	SIZE	PRICE €
771500	1/2"	
771502	3/4"	
771505	1/2" H.U Nut & Tail	
771507	3/4" H.U Nut & Tail	



### Lever Bibcock H.U

CODE	SIZE	PRICE €
771833	1/2" x 1/2"	
771834	3/4" x 3/4"	



### M.I X C Washing Machine Valve (pair)

CODE	SIZE	PRICE €
700001	1/2" x 3/4" M.I	



### C X C Washing Machine Tee H&C (pair)

CODE	SIZE	PRICE €
700010	1/2" x 1/2" x 3/4" M.I	



### Washing Machine Hose

CODE	SIZE	PRICE €
700008	1.5M Red & Blue	
700006	1.5M Blue	
700007	1.5M Red	



### Washing Machine Y Piece

CODE	SIZE	PRICE €
771838	"Y" Piece	



### C X F.I Straight Tap Connector

CODE	SIZE	PRICE €
700200	1/2"	



### C X F.I Bent Tap Connector

CODE	SIZE	PRICE €
700210	1/2"	
700211	15mm	



Many lines also available in Metric

Many lines also available in Metric



### F.I X C Flexible Hose

CODE	SIZE	PRICE €
700100	1/2" x 300mm	
700104	1/2" x 500mm	
700105	3/4" x 300mm	
700066	3/4" x 500mm	



### F.I X C Flexible Hose with ISO Valve

CODE	SIZE	PRICE €
700110	1/2" x 300mm	
700109	1/2" x 500mm	
700067	3/4" x 300mm	
700068	3/4" x 500mm	



### C X C Filling Loop

CODE	SIZE	PRICE €
771077	Straight (Metric)	
771077K	Above with 6 Bar Gauge	
771079	Tee (Metric)	



### C X C Filling Loop

WRAS Approved



CODE	SIZE	PRICE €
771074	Straight (Metric)	
771074K	Above with 6 Bar Gauge	
771073	6 Bar Gauge	



### Automatic Filling Valve & Gauge

CODE	SIZE	PRICE €
771740	1/2"	
771076	1/4" Gauge Only 0-10 Bar	



### Automatic Differential Bypass Valve

CODE	SIZE	PRICE €
771734	3/4" Straight	
771735	22mm straight	



### Pressure Reducing Valve

CODE	SIZE	PRICE €
771076	1/4" Gauge Only 0-10 Bar	
771006	1/2" With Gauge	
771007	3/4" With Gauge	



### C X C Gate Valve

CODE	SIZE	PRICE €
771001	1/2"	
771002	3/4"	
771003	1"	



### F.I X F.I Gate Valve

CODE	SIZE	PRICE €
771601	1/2"	
771602	3/4"	
771603	1"	
771604	1 1/4"	
771605	1 1/2"	
771606	2"	



### Inlet Control Valve Group

CODE	SIZE	PRICE €
771868	3/4"	

Many lines also available in Metric

Many lines also available in Metric

# Pipeline & Oil Line Products



## 1/2" Hose Union Bibcock Dipped



CODE	DESCRIPTION	BOX QTY	PACK QTY	PRICE
520050	Bibcock Dipped	40	5	
520090	1/2" Nut and Tail	-	-	

## C x C Isolating Valve



CODE	SIZE	BOX QTY	PACK QTY	PRICE €
700047	15mm Full Bore	-	L	
700048	15mm Full Bore Brass	-	L	
700050	15mm Brass	-	L	
700053	22mm Brass	-	L	

## C x C Spring Loaded Non-Return Valves



CODE	SIZE	BOX QTY	PACK QTY	PRICE €
771940	15mm	-	-	
771941	22mm	-	L	
771942	28mm	-	L	

## Mesh Filter



CODE	SIZE	QTY	PRICE €
771858	1/2"	20	
771859	3/4"	10	

## C x C Export Stop Taps



CODE	SIZE	BOX QTY	PACK QTY	PRICE €
771011	1/2"	60	50	
771012	3/4"	30	25	
771021	15mm	-	50	
771022	22mm	-	25	
771014	20 x 15mm	-	-	
771015	25 x 15mm	-	-	
771016	25 x 22mm	-	-	

## Manifolds with Isolating Valves

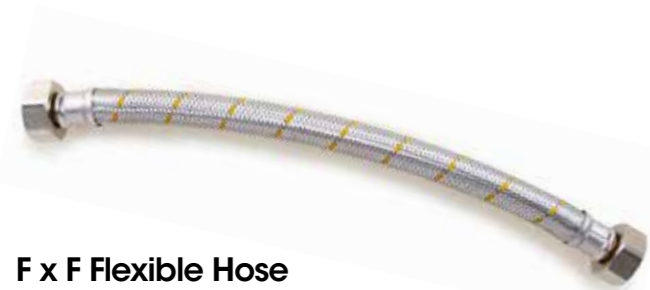


CODE	SIZE	NO. OF PORTS	PACK QTY	PRICE €
771892	¾" x ½"	2	30	
771893	1" x ½"	2	50	
771894	¾" x ½"	3	25	
771895	¾" x ½"	4	20	
771910	¾" Manifold Bracket			
771911	1" Manifold Bracket			

## MI x FI Manifolds



CODE	SIZE	NO. PORTS	QTY	PRICE €
771914	¾" x 15mm	2	50	
771915	¾" x 15mm	3	50	
771916	¾" x 15mm	4	50	



## F x F Flexible Hose

CODE	SIZE	PACK QTY	PRICE €
771479	½" x ½" x 300mm	-	

## Flexible Tap Tails for Mono Sink Mixer (Pair)



CODE	SIZE	PACK QTY	PRICE €
700070	10mm x 400mm	150	
700071	12mm x 400mm	150	
580996	Copper Tails	-	

## Garden Tap Kit



Kit includes;  
 ½" Hose Union Bibtap Wall plate, 15mm x 350mm Copper Tube, PTFE Tape 12mm x 12m x 0.075mm. 15mm x ¾" Angled Self-Cutting Washing Machine Valve, 15mm x ¾" x 500mm Braided Flexible Tap Connector.

CODE	PACK QTY	PRICE €
771854K	L	

## Wall Plate & Copper Tube



CODE	SIZE	PACK QTY	PRICE €
771855	½" X 14"	L	
771848	½" X 24"	L	
771850	15mm x 14"	L	

## Brass 'Y' Strainer



CODE	SIZE	PRICE €
771950	22mm C x C	

## Self Cutting Washing Machine Valve



CODE	SIZE	PRICE €
700024	15mm x ¾"	

## Oil Line Adaptors



CODE	DESCRIPTION	PRICE €
771889	¾" x ¾"	
771890	¼" x ¾"	
771891	¼" x ¼"	

## Oil Sight Gauges



CODE	DESCRIPTION	PRICE €
771886	½" outlet x 4' Lever Action	
771887	½" outlet x 6' Lever Action	
771880	4' Push Button	
771881	6' Push Button	

## Oil De-Aerator / Tiger Loop

The Tiger Loop preheats the oil by absorbing heat from the boiler room and friction heat from the oil pump.



CODE	SIZE	PACK QTY	PRICE €
771465	¼" BSP	10	

## Oil Fittings

\*Subject to Instantor discount



CODE	DESCRIPTION	PRICE €
410388	10mm/ ¾" Straight Coupler for oil	
415388	10mm/ ¾" Elbow for oil	

## Flexible Oil Line



CODE	DESCRIPTION	PRICE €
771473	900mm x ¼" (M Elbow) x ¾" (F)	

## Plastic Coated Copper Coil



CODE	SIZE	PACK QTY	PRICE €
771475	10mm x 25m	30	
771476	½" x 25m	30	
771477	¾" x 25m	20	

# Float Valves & Accessories



## Poly & Copper Float Range

CODE	SIZE	DESCRIPTION	FOR BALLVALVE	PRICE €
755313	6" Blue	x 5/16" Whit	3/4"	

## Replacement Levers



CODE	SIZE	DESCRIPTION	PRICE €
759001	6"	Lever for 1/2" Ballvalve	
758999	8"	Lever for 1/2" Ballvalve	
759000	10"	Lever for 1/2" Ballvalve	

## Warix Flange



CODE	DESCRIPTION	QTY	PRICE €
759002	3/4" BSP MI	L	
759004	1" BSP FI	L	

## Spare Parts

CODE	DESCRIPTION	QTY	PRICE €
758993	1/2" FV Spares Kit	L	

# Sanbra Solvent Fittings & Pipe



## Straight Coupler



CODE	SIZE	PACK QTY	BOX QTY	PRICE €
SS1001	1 ¼"	10	250	
SS1002	1 ½"	10	160	
SS1003	2"	10	90	

## Straight Reducer



CODE	SIZE	PACK QTY	BOX QTY	PRICE €
SS1004	1 ½" x 1 ¼"	10	380	
SS1008	2" x 1 ½"	10	140	
SS1010	2" x 1 ¼"	10	-	

## 90° Tee



CODE	SIZE	BOX QTY	PACK QTY	PRICE €
SS18007	1 ¼"	10	70	
SS18008	1 ½"	10	60	
SS18009	2"	10	20	

## 45° Branch Tee



CODE	SIZE	PACK QTY	BOX QTY	PRICE €
SS18001	1 ¼"	10	60	
SS18002	1 ½"	10	50	
SS18003	2"	10	20	

## 90° Swept Elbow



CODE	SIZE	PACK QTY	BOX QTY	PRICE €
SS15001	1 ¼"	10	150	
SS15002	1 ½"	10	90	
SS15003	2"	10	50	

## 45° Bend



CODE	SIZE	PACK QTY	BOX QTY	PRICE €
SS15004	1 ¼"	10	200	
SS15005	1 ½"	10	120	
SS15006	2"	10	60	

## 90° Knuckle Bend



CODE	SIZE	PACK QTY	BOX QTY	PRICE €
SS15007	1 ¼"	10	300	
SS15008	1 ½"	10	200	

## Access Cap



CODE	SIZE	BOX QTY	PACK QTY	PRICE €
SS19001	1 ¼"	10	190	
SS19002	1 ½"	10	150	
SS19003	2"	10	110	

## Pipe Clips



CODE	SIZE	PACK QTY	BOX QTY	PRICE €
SS19004	1 ¼"	-	100	
SS19005	1 ½"	-	100	
SS19006	2"	-	50	

## Waste Pipe 4m Length



CODE	SIZE	ORDER QUANTITIES	PRICE PER LENGTH €
SS00001	1 ¼"	40	
SS00002	1 ½"	30	
SS00003	2"	20	

Pallet & Mixed Pallet Quantity - 300 Lengths

# Waste Traps & Pan Connectors



## Multi Purpose Waste Traps & Fittings

Self Sealing Traps



CODE	OUTLET	SEAL	BOX QTY	PRICE €
SS2025	1 1/4"	-	10	
SS2026	1 1/2"	-	10	

Flexible Fittings - Compression x Plain Spigot



CODE	OUTLET	SEAL	BOX QTY	PRICE €
SS2126	1 1/4"	-	-	
SS2127	1 1/2"	-	-	

Bottle Traps



CODE	OUTLET	SEAL	BOX QTY	PRICE €
SS2065	1 1/4"	75mm	50	
SS2066	1 1/2"	75mm	50	

Telescopic Bottle Traps



CODE	OUTLET	SEAL	BOX QTY	PRICE €
SS2067	1 1/4"	75mm	50	
SS2068	1 1/2"	75mm	50	

Tubular Swivel P-Traps



CODE	OUTLET	SEAL	BOX QTY	PRICE €
SS2030	1 1/4"	75mm	100	
SS2031	1 1/2"	75mm	90	

Telescopic P-Traps



CODE	OUTLET	SEAL	BOX QTY	PRICE €
SS2033	1 1/4"	75mm	50	
SS2034	1 1/2"	75mm	50	

# Multi-Purpose Waste Traps



Shallow Bath Traps

CODE	OUTLET	SEAL	BOX QTY	PRICE €
SS2010	1 1/2"	19mm	100	



Washing Machine Trap Including Standpipe

CODE	OUTLET	SEAL	BOX QTY	PRICE €
SS2050	1 1/2"	75mm	25	



Shower Trap

CODE	OUTLET	SEAL	BOX QTY	PRICE €
SS2020	1 1/2"	50mm	45	

Basket Strainer Wastes



CODE	OUTLET	BOX QTY	PRICE €
SS2301	1 1/2" with Square Overflow	50	
SS2302	1 1/2" No Overflow	50	

Pedestal Trap with Cleaning Eye



CODE	OUTLET	SEAL	BOX QTY	PRICE €
SS2000	1 1/4"	75mm	50	



Double Appliance Trap

CODE	OUTLET	SEAL	BOX QTY	PRICE €
SS2055	1 1/2" 2 Spigot	75mm	50	
SS2054	1 1/2" 1 Spigot	75mm	50	



S-Traps

CODE	OUTLET	SEAL	BOX QTY	PRICE €
SS2039	1 1/4"	75mm	100	
SS2041	1 1/2"	75mm	90	

# Syphons, Flush & Float Valves



The skylo range of float valves is the most complete offering of float valves on the market today.

The universal valve is the only valve in the world that allows plumbers to choose the inlet position. All are WRAS approved and work on low and high pressure systems.

Bottom Entry Fill Valve



CODE	BOX QTY	PRICE €
SS2125	60	
SS2112 (Brass Thread)	50	

Dual Entry 4 in 1 Fill Valve



CODE	BOX QTY	PRICE €
SS2100	40	
SS2101 (Brass Thread)	40	

Side Entry Ball Valve



CODE	BOX QTY	PRICE €
SS2111	125	

Dual Flush Height Adjustable Syphon



CODE	HEIGHT	BOX QTY	PRICE €
SS2090	7 1/2" - 9 1/2"	19	

Bottom Entry Ball Valve (Straight)



CODE	BOX QTY	PRICE €
SS2110	125	

3 Part Dual Height Adjustable Syphon



CODE	HEIGHT	BOX QTY	PRICE €
SS2091	7 1/2" - 9 1/2"	19	

Button & Handle Dual Flush Valve

The Skylo dual flush valve gives the end user endless possibilities. It has been designed with ease of installation in mind, taking into account all different variations of cisterns. Complete with a unique universal button, taking into consideration all different cistern lid hole diameters. Product is also WRAS approved.



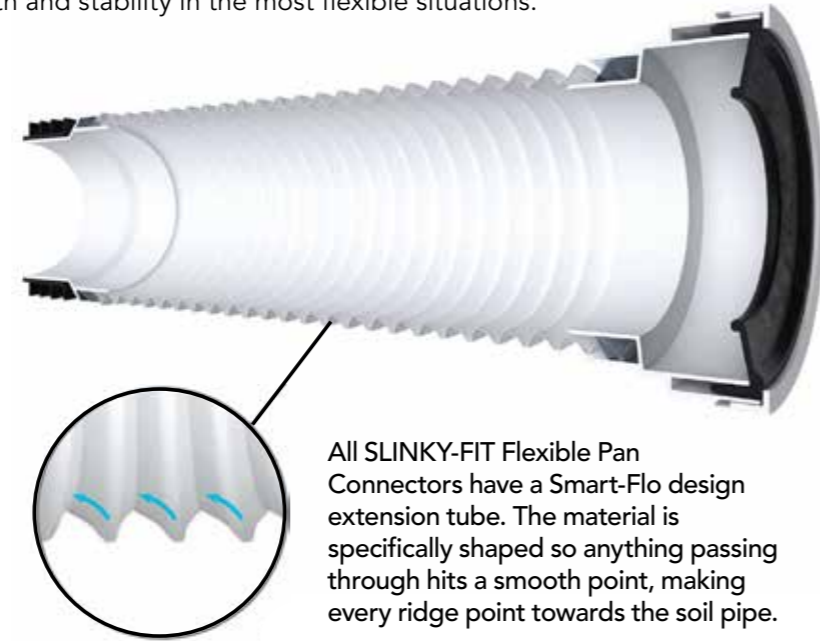
CODE	LENGTH	BOX QTY	PRICE €
SS2095	300mm	20	

# Flexible Connectors

## SLINKY-FIT Flexible WC Pan Connectors

SLINKY-FIT are one of the most flexible pan connectors on the market and are wire reinforced giving them strength and stability in the most flexible situations.

All with 90-114mm inlet  
All with 90-110mm outlet



All SLINKY-FIT Flexible Pan Connectors have a Smart-Flo design extension tube. The material is specifically shaped so anything passing through hits a smooth point, making every ridge point towards the soil pipe.



Flexi Pan Connector

CODE	SIZE	BOX QTY	PRICE €
SS2082	200 - 350mm	15	
SS2080	240 - 500mm	15	
SS2083	300 - 700mm	15	



90° Flexible Pan Connector

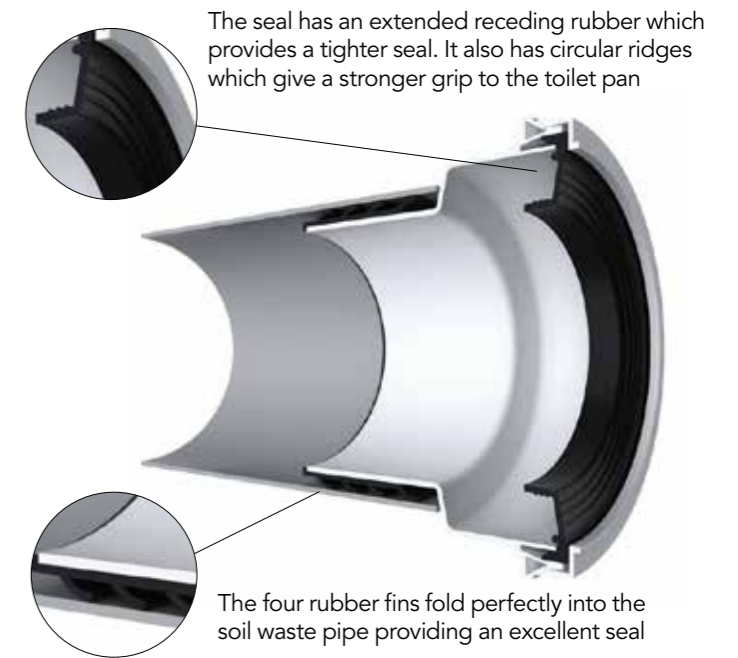
CODE	SIZE	BOX QTY	PRICE €
SS2084	300 - 600mm	16	

# Easy-Fit Rigid WC Pan Connectors

Our rigid pan connectors are made from a high quality polypropylene plastic with an excellent rubber sealing washer.

The internal rubber gasket also has a unique reseeding feature meaning the seal with the pan spigot is extremely water tight.

All with 90-114mm inlet  
All with 90-110mm outlet



The seal has an extended receding rubber which provides a tighter seal. It also has circular ridges which give a stronger grip to the toilet pan

The four rubber fins fold perfectly into the soil waste pipe providing an excellent seal

## Straight Pan Connector



CODE	SEAL	BOX QTY	PRICE €
SS2070	3"	45	

## Offset Straight Pan Connector



CODE	DESCRIPTION	BOX QTY	PRICE €
SS2071	20mm Offset	45	

## 14° Angle Pan Connector



CODE	DESCRIPTION	BOX QTY	PRICE €
SS2073	14° Angle	45	

## Swan Neck Pan Connector



CODE	SEAL	BOX QTY	PRICE €
SS2085	3"	16	

## 90° Pan Connector (Long)



CODE	BOX QTY	PRICE €
SS2077	16	

## Extended Pan Connector



CODE	BOX QTY	PRICE €
SS2072	30	

## 90° Pan Connector



CODE	BOX QTY	PRICE €
SS2075	25	

## 90° Pan Connector 1/4" Adaptor



CODE	BOX QTY	PRICE €
SS2076	25	

## VIVA Spares & Accessories

CODE	VIVA REF	DESCRIPTION	PRICE
SS2400	UNI/SD	Skylo Unifill Diaphragm Washer	
SS2401	PP00/D	Skylo Bottom Entry Diaphragm Washer	
SS2430	PP0028/A	Straight Toilet Pan Fixing Kit Chrome	
SS2115	SKY100	Skylo Spare Washer Pack	
SS2303	PP0030	1 1/2" Close Couple Kit	
SS2116	SKYCP01	Skylo Dual Entry Cistern Component Pack	
SS2117	PP0008E	Skylo Toilet Handle Kit	
SS2118	PP0008/LA	Skylo Cistern Lever Arm	
SS2119	SKY096	Skylo Cistern Accessory Pack	
SS2120	PP0021	Viva Skylo Bolt Through Kit	
SS2121	PP0025	Viva Wall Mounted Basin Fixing Kit M8	
SS2122	PP0025/A	Viva Wall Mounted Basin Fixing Kit M10	
SS2432	PP0028	Viva Angled Floor Toilet Pan Fixing Kit M8	
SS2102	UNI/SB	Uni Button (For Skylo Flush Valves)	
SS2092	AS01/CL	C Link Connector Pack	
SS2123	SKY005	Viva Skylo Dual Flush Valve	
SS2124	SKY015	Viva Skylo Dual Flush Valve Long Cable Type	



# Sanbra®

## Expansion Vessels





### Vessels - Heating

- Galvanised Carbon Steel Flange
- WRAS Approved Material EPDM Bladder

CODE	SIZE	MOUNTING	PRICE €
710515	2L - Vertical	-	
710420	8L - Vertical	Bracket*	
710421	12L - Vertical	Bracket*	
710422	19L - Vertical	Bracket*	
710423	24L - Vertical	Bracket*	
710424	36L - Vertical	Bracket*	
710425	50L - Vertical	Fixed	
710445	80L - Vertical	Fixed	
710450	100L with gauge - Vertical	Fixed	
710526	Mounting Bracket	-	



### Vessels - Potable

- Stainless Steel 304 Flange
- WRAS Approved Material EPDM Bladder

CODE	SIZE	MOUNTING	PRICE €
710515	2L - Vertical	-	
710427	8L - Vertical	Bracket*	
710428	12L - Vertical	Bracket*	
710429	19L - Vertical	Bracket*	
710455	24L - Vertical	Bracket*	
710456	36L - Vertical	Bracket*	
710448	80L - Vertical	Fixed	
710449	100L with gauge - Vertical	Fixed	
710452	200L - Vertical	Fixed	
710453	300L - Vertical	Fixed	
710454	500L - Vertical	Fixed	
710408	24L - Horizontal	Fixed	
710409	50L - Horizontal	Fixed	
710410	80L - Horizontal	Fixed	
710411	100L - Horizontal	Fixed	

\*Vessels must be supported using suitable support structure, failure to do so will affect the products warranty.



### Expansion Vessels and Sealed System Kit

- Kit Includes;
- Cross Manifold
  - Filling Loop
  - 1/2" Safety Valve (3 bar)
  - Pressure Gauge (1/4" 0-10 Bar)
  - Mounting Bracket

CODE	SIZE	PRICE €
771737K	Sealed System Kit Only	
771738	Cross Manifold Fitting Only	
710420K	Kit Plus 8L Vessel	
710421K	Kit Plus 12L Vessel	
710422K	Kit Plus 19L Vessel	
710423K	Kit Plus 24L Vessel	
710424K	Kit Plus 36L Vessel	
710425K	Kit Plus 50L Vessel	
710450K	Kit Plus 100L Vessel	

### Radial Expansion Vessels

CODE	SIZE	PRE-CHARGE	MAX PRESSURE	PRICE €
710557	10L	1 Bar	3 Bar	
710552	12L	1 Bar	3 Bar	
710558	14L	1 Bar	3 Bar	
710553	18L	1 Bar	3 Bar	



### Rectangular Expansion Vessels

CODE	SIZE	PRE-CHARGE	MAX PRESSURE	PRICE €
710554	8L	1 Bar	3 Bar	
710561	10L	1 Bar	3 Bar	
710562	12L	1 Bar	3 Bar	

### Solar Expansion Vessels

CODE	SIZE	PRE-CHARGE	MAX PRESSURE	PRICE €
774422	19L	2.5 Bar	10 Bar	
774423	24L	2.5 Bar	10 Bar	
774424	35L	2.5 Bar	10 Bar	

- Solar Expansion Vessels features include;
- Membrane suitable for temperatures up to 130°C
  - Stainless steel flange cover





# Sanbra®

## Controls



### Motorised Valves with Detachable Heads CxC

- NSAI Approved Irish Instantor® nuts and rings
- CW617N Brass body
- Detachable, Quick Release Head
- Detachable Plug-in Cable
- LED Power indicator
- Imperial and metric sizes
- Five year warranty

CODE	SIZE	NO. OF PORTS	PRICE €
619120K	¾"	2 Port	
619122K	1"	2 Port	
619124K	22mm	2 Port	
619126K	28mm	2 Port	
619130B	Detachable Head Only		



### Technical Specifications

CODE	SIZE	CABLE	FLOW RATE	POWER SUPPLY	FUSE/AUX. SWITCH RATING	MAX. CLOSE OFF PRESSURE	FAIL MODE	WATER TEMP	WARRANTY
619120	¾" 2 Port CxC	1 Metre 5 Core	4.3m³/hr	220-240VAC 50/60Hz 5W	3.0A 250VAC	1.0 bar	Normally closed	5°C to 88°C	2 YEARS
619122	1" 2 Port CxC	1 Metre 5 Core	6.8m³/hr	220-240VAC 50/60Hz 5W	3.0A 250VAC	0.6 bar	Normally closed	5°C to 88°C	2 YEARS
619124	22mm 2 Port CxC	1 Metre 5 Core	4.3m³/hr	220-240VAC 50/60Hz 5W	3.0A 250VAC	1.0 bar	Normally closed	5°C to 88°C	2 YEARS
619126	28mm 2 Port CxC	1 Metre 5 Core	6.8m³/hr	220-240VAC 50/60Hz 5W	3.0A 250VAC	0.6 bar	Normally closed	5°C to 88°C	2 YEARS



**Conforms to:** EN 60204-1:2006+A1:2009  
Low Voltage Directive 2006/95/EC  
EN 61000-6-3:2007+A1:2011

EN 61000-6-1:2007  
Electromagnetic Compatibility Directive  
2004/108/EC



### Cylinder Thermostat / Pipe Thermostat

CODE	PACK QTY	PRICE €
771836	10	

# Elemex®

## Domestic Heating Solutions



CE  
 Conforms to:  
 EN 60335-1:2002  
 EN 60335-2-73:2003



Dual immersion heaters are exclusively used in vertical orientation domestic water cylinders. Dual heaters work in conjunction with a "sink/bath" switch, with a short element used to heat smaller quantities of water, and the longer one to heat the cylinder to the length of the element, i.e. 24", 27" etc. Heaters are pre-wired, and have either a 1m or 2m 4 core high temperature flexible cable fitted. All heaters are fitted with a control thermostat pre-set at 65°C and an externally resettable high limit cut-out to prevent the water reaching 98°C (in accordance with IS/EN60335-2-73)

- Copper:** Suitable for normal water areas
- Incoloy:** Suitable for normal to hard water
- Titanium:** Suitable for extreme use cases and available on request

### Copper - Standard Range External Reset Button



CODE	THREAD SIZE	LENGTH	RATING	CABLE LENGTH	PRICE €
SIHD18ER	2 1/4" BSP	18"	2 / 2.85kW	1m	
SIHD24ER	2 1/4" BSP	24"	2 / 2.85kW	1m	
SIHD24ER/2	2 1/4" BSP	24"	2 / 2.85kW	2m	
SIHD27ER	2 1/4" BSP	27"	2 / 2.85kW	1m	
SIHD36ER	2 1/4" BSP	36"	2 / 2.85kW	1m	

### Incoloy - Premium Range External Reset Button



CODE	THREAD SIZE	LENGTH	RATING	CABLE LENGTH	PRICE €
SPID24ER1	2 1/4" BSP	24"	2 / 2.85kW	1m	
SPID27ER1	2 1/4" BSP	27"	2 / 2.85kW	1m	
SPID36ER1	2 1/4" BSP	36"	2 / 2.85kW	1m	

Single element immersion heaters are used in mainly horizontal orientation in domestic water cylinders. All heaters are fitted with a control thermostat pre-set at 65°C and a resettable high limit cut-out to prevent the water reaching 98°C (in accordance with IS/EN60335-2-73) We offer heaters in several thread sizes, to fit all commonly used water cylinders, and in three different sheath materials, to suit various water qualities.

**Copper:** Suitable for normal water areas  
**Incoloy:** Suitable for normal to hard water  
**Titanium:** Suitable for extreme use cases and available on request



**Copper**

\*Internal Reset Button

CODE	THREAD SIZE	LENGTH	RATING	MOUNTING	PRICE €
WH2B	2 1/4" BSP	11"	2.85kW	Horizontal	



**Incoloy**

\*Internal Reset Button

CODE	THREAD SIZE	LENGTH	RATING	MOUNTING	PRICE €
SWH38/UV/825	1 1/2" BSP	14"	2.85kW	Horizontal	
WH38/UV	1 1/2" BSP	11"	2.85kW	Horizontal	
SWH61	1 3/4" BSP	14"	2.85kW	Horizontal	
WH61	1 3/4" BSP	11"	2.85kW	Horizontal	
BIS11E	2 1/4" BSP	11"	2.85kW	Horizontal	



**Titanium**

\*Internal Reset Button

CODE	THREAD SIZE	LENGTH	RATING	MOUNTING	PRICE €
WH60T	1 3/4" BSP	11"	2.85kW	Horizontal	

**The Economiser (Willis) Heater:**  
**For fast, economical domestic hot water**

The **ELEMEX** Economiser is a compact, inexpensive unit designed to heat water quickly. It is intended for everyday domestic use, where relatively small quantities of hot water are required, for example: showers, dish washing, hair washing, etc.

The Economiser consumes no more power than a standard immersion heater, but saves on electricity by heating only the amount of water that you require.

The Economiser is fitted externally to the main hot water cylinder. Easy, user-friendly installation ensures the minimum of mess and disruption.



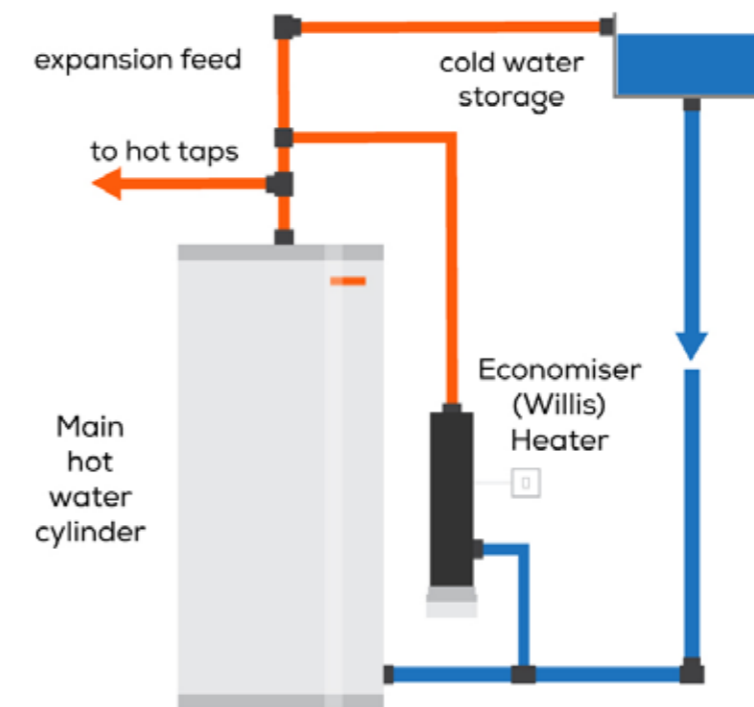
**Typical use times:**  
**Shower:** 10 minutes  
**Dish Washing:** 5 minutes  
**Hair Washing:** 5 minutes

**Economiser (Willis)**

CODE	THREAD SIZE	LENGTH	RATING	MOUNTING	PRICE €
SWILLIS	2 1/4" BSP	11"	2.85kW	Vertical	

The unit comes pre-wired with a 1m flex cable

**How it works**



The Economiser is fitted in parallel to the main domestic hot water cylinder and heats the water from the top down. So, for a shower (typical requirement – 35 litres @ 40°C), the Economiser will heat only the top 35 litres of the cylinder in about 10 minutes, and the unit should then be switched off.

For maximum efficiency we recommend that the Economiser be fitted in conjunction with a timer (such as the **ELEMEX** T1). This will ensure that the heater is switched off after the required time. You can then set it and forget it.

Rod thermostats are available in two main types: > Control only > Combination Control & Cut-Out

Both are used in domestic immersion heaters, and are made in three stem lengths (measured underneath the head) of 7" (178mm), 11" (279mm), and 18" (457mm). Both have 7.5mmØ stems, designed to fit into a 5/16" (7.9mm) i.d tube. The control thermostats are factory pre-set at 60°C and should be used in conjunction with a separate over-temperature device in domestic applications. The combination types have two separate sets of contacts, one adjustable and one factory set, giving a one piece compliance with IS/EN 60335-2-73.



### Control Only

7.5mm Stem Diameter

CODE	STEM LENGTH	RANGE °C	PRE-SET °C	CUT-OUT °C	CURRENT RATING	PRICE €
WH14	7"	40-80°C	60°C	N/A	15A	
WH15	11"	40-80°C	60°C	N/A	15A	
WH16	18"	40-80°C	60°C	N/A	15A	



### Control & Cut-Out

7.5mm Stem Diameter

CODE	STEM LENGTH	RANGE °C	PRE-SET °C	CUT-OUT °C	CURRENT RATING	PRICE €
WH14CH	7"	0-65°C	N/A	89°C	16A	
WH15CV	11"	0-65°C	N/A	89°C	16A	
WH16CV	18"	0-65°C	N/A	89°C	16A	

### Control & Cut-Out Misc Replacement Stats

6mm Stem Diameter



CODE	STEM LENGTH	RANGE °C	PRE-SET °C	CUT-OUT °C	CURRENT RATING	PRICE €
WH15TT	11"	10-65°C	N/A	75°C	16A	

We offer a comprehensive range of accessories for the installation and control of our immersion heaters.

- All immersion heaters will require a gasket or 'O' ring, and while these are supplied with the heater kit as standard, spares or replacements will often be needed.
- Most of our domestic heaters are installed in water cylinders with a pre-fitted threaded entry, but where it is necessary to fit a heater through a plain hole in a vessel wall, we offer flanges and backnuts for all common sizes.
- Vertically mounted immersion heaters generally have an 86mm A/F hex flange, larger than most adjustable wrenches can accommodate, and we offer low cost spanners to aid fitting, allowing uniform tightening without distorting the head or receptacle.
- Our heater timer provides a low cost means of short burst water heating, and eliminates the perennial problem of "forgetting to turn off the immersion", thus providing dramatic savings in running costs.



### Gaskets

CODE	SIZE	DIMENSIONS (mm)	PRICE €
WH10B	1½" BSP	49 x 71 x 2	
WH10C	1¾" BSP	53 x 77 x 2	
WH10/1	2¼" BSP	66 x 82 x 2	



### Backnuts

For fitting to an open topped or accessible vessel

CODE	SIZE	DIMENSIONS (mm)	PRICE €
044005	1½" BSP	-	
BN24	2¼" BSP	-	



### Plugs

CODE	SIZE	DIMENSIONS (mm)	PRICE €
074006	1¾" BSP	-	
920100	2¼" BSP	-	



### 'O' Rings

CODE	SIZE	DIMENSIONS (mm)	PRICE €
G024	1½" BSP	37 x 43 x 3	
G020	1¾" BSP	49 x 56 x 3.5	
G022	2¼" BSP	60 x 67 x 3.5	



### 2 Part Flange

For fitting to a closed vessel from the outside

CODE	SIZE	DIMENSIONS (mm)	PRICE €
WH11	2¼" BSP	-	

# Immertec®

## Immersion Heaters



Conforms to:  
EN 60335-1:2002  
EN 60335-2-73:2003



**IMMERTEC®**



**Dual Element Copper Immersion Heaters with 1m / 2m Fitted Cable**

CODE	LENGTH	CABLE	STATS	PACK QTY	PRICE €
710530	24"	1M	1	20	
710531	27"	1M	1	20	
710532	36"	1M	1	12	
710543	24"	2M	1	20	
710544	27"	2M	1	20	
710546	36"	2M	1	12	



**Single Element Copper Immersion Heaters with 1m / 2m Fitted Cable to EN60335-2-73**

CODE	LENGTH	CABLE	STATS	ELEMENT	PACK QTY	PRICE €
710536	11"	1M	1	Single	20	
710547	11"	2M	1	Single	20	
710457	11"	No Cable	1	Single	20	
710458	18"	No Cable	1	Single	20	
710459	27"	No Cable	1	Single	20	



All Copper Immertec products are CE approved and conform to:  
EN60335-1:2002 & EN60335-2-73:2003



**Dual & Single Incoloy Immersion Heaters with 2m Fitted Cable**

CODE	LENGTH	CABLE	STATS	ELEMENT	PACK QTY	PRICE €
710548	11"	2M	1	Single	20	
710537	24"	2M	1	Dual	20	
710542	27"	2M	1	Dual	20	
710538	36"	2M	1	Dual	12	

All Dual Heaters are also available in Incoloy Sheathed elements. Guaranteed for 3 years.



**Replacement Thermostat**

CODE	LENGTH	MATERIAL	PACK QTY	PRICE €
710441	7"	Copper	10	
710442	11"	Copper	10	
710440	18"	Copper	10	

## The Economiser Rapid Heater



## Immersion Heater Plugs



CODE	SIZE	PRICE €
920120K	Mini Copper Cylinder Complete	
920121	Can only	

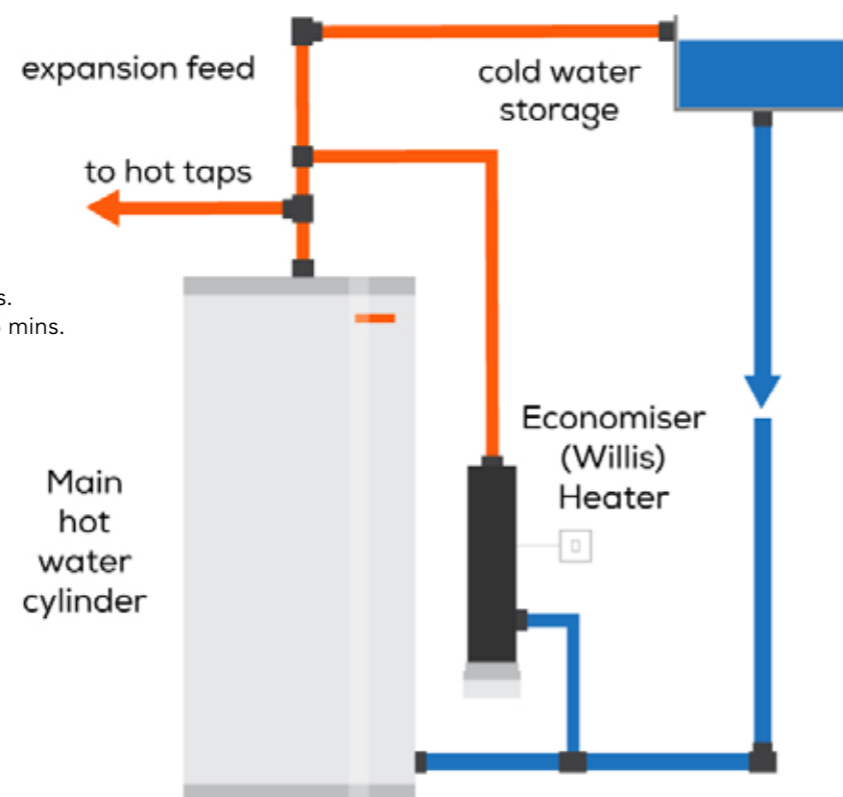
CODE	LENGTH	BOX QTY	PRICE €
920100 PK	2¼"	2000	

## How The Economiser Heater Works

An Economiser Rapid Water Heater can heat approx. 4.5L of water every 5 mins.

- For a shower = pre-heat for 10/15 mins.
- For dishes, shaving etc = preheat for 5 mins.

**Not Recommended for use in Hard Water Areas**



# ARISTON



## Andris RS - Electric Instantaneous Water Heater

- Super compact water heater
- Wall-hung electric storage water heater can be installed over or under the sink.
- Available in 10,15 & 30L
- 5 Year Warranty against tank leakage
- Titanium enamelling for greater protection
- External temperature regulation
- Ecological polyurethane insulation
- Glass lined inner tank tested at 16 bar
- Oversized magnesium anode
- Pressure safety valve tested at 8 bar

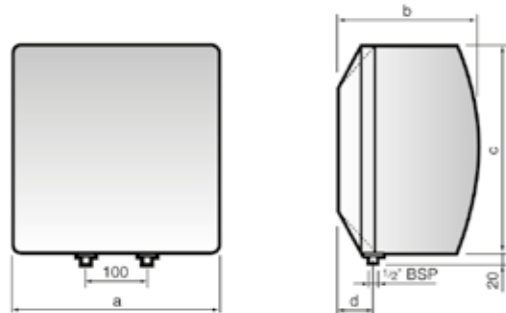


CODE	REF	SIZE	PRICE €
710503	3100363	10L Under Sink	
710502	3100368	15L Under Sink	
710505	3100371	30L Over Sink	

### TECHNICAL DATA

CODE	710503	710502	710505
Ref	3100363	3100368	3100371
Capacity	10L	15L	30L
Installation	Undersink	Undersink	Oversink
Power	1.2kW	1.2kW	1.2kW
Voltage	230 V	230 V	230 V
Heating Time ( $\Delta T=45^{\circ}\text{C}$ )	29mins	44mins	70mins
Heat Dispersion at $65^{\circ}\text{C}$	0.55 kWh/24h	0.65 kWh/24h	0.61 kWh/24h
Max Working Pressure	8 bar	8 bar	8 bar
Max Working Temperature	$80^{\circ}\text{C}$	$80^{\circ}\text{C}$	$80^{\circ}\text{C}$
Weight	6.6kg	7.4kg	12.8kg
Protection	IPX1	IPX1	IPX1

### DIMENSIONS



CODE		A	B	C	D
710503	10L U/S	350mm	255mm	350mm	90mm
710502	15L U/S	350mm	300mm	350mm	80mm
710505	30L O/S	440mm	365mm	440mm	110mm

## Andris Lux - Electric Storage Water Heater

- Easy to operate with mechanical dial
- "E" setting on the dial to optimise comfort and energy saving
- Titanium enamelled tank and 4-bolt flange for robustness durability
- Heating lamp to show the heating cycle is in process
- Installation in 10 easy steps
- 3 Year Warranty

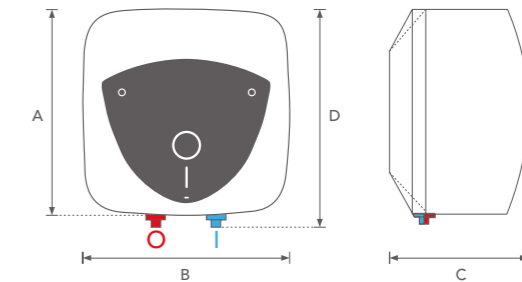
CODE	REF	SIZE	PRICE €
710501	3626292	6L Undersink	



### TECHNICAL DATA

CODE	710501
Ref	3626292
Capacity	6L
Installation	Undersink
Power	1.5kW
Type	Unvented
ErP Class	B
Heating Time	15mins
Heat Loss $65^{\circ}\text{C}$ (kWh)	0.42
Tapping Profile	XXS
Weight	5.1kg

### DIMENSIONS



CODE		A	B	C	D
710501	6L U/S	315mm	315mm	250mm	330mm

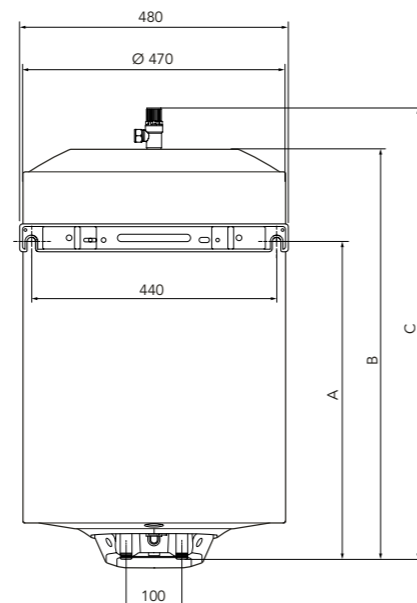
## PRO1 ECO - ELECTRIC STORAGE WATER HEATER

- WaterPlus technology for up to 16% more hot water availability
- Reduce energy bills by 14% with "Eco Evo" function
- Anti-legionella and ABS safety system
- Titanshield technology for optimal tank protection
- T-MA function to face unexpected hot water needs
- Must be installed with unvented kit
- 5 Year Warranty

CODE	REF	SIZE	PRICE €
710506	3201491	50L Over Sink	
710508	3201492	80L Over Sink	
710509	3201493	100L Over Sink	

### TECHNICAL DATA

CODE	710506 - 50L	710508 - 80L	710509 - 100L
Ref	3201491	3201492	3201493
Installation	Vertical	Vertical	Vertical
Power	3 kW	3 kW	3 kW
Voltage	230 - 240 V	230 - 240 V	230 - 240 V
Max Working Temperature (°C)	65	65	65
Heat-Up Time (ΔT=45°C)	60mins	97mins	128mins
Heat Dispersion at 65°C	0.92kWh/24h	1.25kWh/24h	1.43kWh/24h
V40 (Litres)	65	92	130
IP Protection	IPX3	IPX3	IPX3
ErP Class	B	B	B
ErP Tapping Profile	M	M	M
Weight When Empty (Kg)	17	22	26
Weight When Full (Kg) Heat	66	97	121
Heat Loss (kWh/24h)	0.917	1.253	1.434
Minimum Inlet Pressure (Rated Pressure)	12 bar	12 bar	12 bar
Maximum Design Pressure	6 bar	6 bar	6 bar
Set Operating Pressure Expansion Valve	6 bar	6 bar	6 bar
Pressure of the Expansion Vessel (bar)	3.5	3.5	3.5
Set Opening T&P Relief Valve (bar)	7	7	7
Capacity	49	75	95



### DIMENSIONS

CODE	A	B	C
710506	365mm	531mm	605mm
710508	570mm	736mm	810mm
710509	722mm	888mm	962mm

## VELIS EVO - VELIS EVO WIFI - ELECTRIC STORAGE WATER HEATER

### VELIS EVO

- Twin tank technology providing 16% more hot water
- Ultra slim - only 27cm deep
- "Eco Evo" function
- Best in class ErP rating
- Anti-legionella and ABS safety system
- Shower ready alerts on screen
- Fast re-heat times, shower ready in 50 minutes
- Must be installed with supplied unvented kit
- 5 Year Warranty



CODE	REF	SIZE	PRICE €
710570	3626305	45L	
710571	3626306	80L	

### VELIS EVO WIFI

- Twin tank technology providing 16% more hot water
- Ultra slim - only 27cm deep
- "Eco Evo" function
- Best in class ErP rating
- Anti-legionella and ABS safety system
- Shower ready alerts on screen
- Fast re-heat times, shower ready in 50 minutes
- Must be installed with supplied unvented kit
- 5 Year Warranty



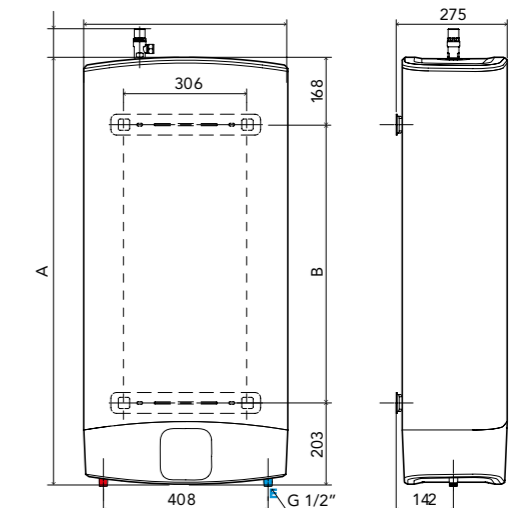
CODE	REF	SIZE	PRICE €
710572	3626307	45L	
710573	3626308	80L	

### TECHNICAL DATA

Code	VELIS EVO		VELIS EVO WIFI	
	710570 - 45L	710571 - 80L	710572 - 45L	710573 - 80L
Ref	3626305	3626306	3626307	3626308
Installation	Vertical	Vertical	Vertical	Vertical
Power	1.5/1.5 kW	1.5/1.5 kW	3/3 kW	3/3 kW
Voltage	220 - 240 V	220 - 240 V	230 - 240 V	230 - 240 V
Frequency (Hz)	50/60	50/60	50/60	50/60
V40 (L)	77	115	77	115
IP Protection	IPX4	IPX4	IPX4	IPX4
Max Working Temp (°C)	65	65	65	65
ErP Rating	B	B	B	B
Tapping Profile	M	M	M	M
Aqua Ariston Net Compatibility	No	No	Yes	Yes
Heating Times (ΔT=45°C)	1h	1h52m	29m	1h32m
Standing Losses (kWh/24) @65 °C	0.96	1.32	0.96	1.32

### DIMENSIONS VELIS EVO & VELIS EVO WIFI

SIZE	A	B
45L	776mm	405mm
80L	1251mm	880mm



# SANKEL®

## Chemical Treatments





### Sankel Inhibitor

Gives longer protection to central heating systems.

- Double Concentrate
- Prevents limescale
- Reduces corrosion
- Extends system life
- Reduces fuel bills
- Increases efficiency
- Prevents cold spots



CODE	SIZE	BOX QTY	PRICE EACH €
771125	0.5 litre	12	

### Sankel System Restorer

Ruthlessly eliminates magnetite from system.

- Double Concentrate
- Restores circulation
- Use in all systems
- Prepares for new pump installation
- Does not cause pin holing



CODE	SIZE	BOX QTY	PRICE EACH €
771129	0.5 litre	12	

### Sankel Silencer

Helps reduce system and boiler noise.

- Double Concentrate
- Reduces system noise
- Improves heat transfer efficiency
- Compatible with Inhibitor
- Environmentally friendly
- Can be left in system permanently



CODE	SIZE	BOX QTY	PRICE EACH €
771128	0.5 litre	12	

### Sankel Cleaner

Quick and effective neutral cleaner suitable for all boiler types.

- Double Concentrate
- Removes sludge
- Cleans flux residues
- Easy to use
- Compatible with all metals
- Non hazardous



CODE	SIZE	BOX QTY	PRICE EACH €
771124	0.5 litre	12	

### Sankel Leak Sealer

Seals small difficult to access leaks.

- Double Concentrate
- Ideal to reduce pressure loss
- Seals most weeps and small leaks
- Saves costly drain downs
- No blockages on pumps



CODE	SIZE	BOX QTY	PRICE EACH €
771126	0.5 litre	12	

### Sankel Power Flush

Cleans out system thoroughly.

- Double Concentrate
- Removes 'cold spots'
- Cleans system thoroughly
- Attacks stubborn and built up sludge
- Works with all Powerflush machines



CODE	SIZE	BOX QTY	PRICE EACH €
771127	0.5 litre	12	

### Sankel Enersave

Heating System Improver.

- Double Concentrate
- Improves heat transfer efficiency
- Radiators heat up quicker
- Saves energy



CODE	SIZE	BOX QTY	PRICE EACH €
771131	0.5 litre	12	

### Heavy Duty Drain Cleaner



CODE	SIZE	BOX QTY	PRICE EACH €
771037	1 litre	10	

### Sankel Magnetic Central Heating Filter

Prevents breakdown in domestic central heating systems by identifying and retaining magnetite & non ferrous debris

CODE	SIZE	PRICE EACH €
771201K	3/4"	
771202K	1"	
771203K	22mm	
771204K	28mm	



### Sankel Mini Magnetic Central Heating Filter

CODE	SIZE	PRICE EACH €
771209K	3/4"	
771210K	22mm	





# Sanbra®

Underground  
Products



## Self-Tapping Saddles



CODE	MAIN PIPE	BRANCH PIPE	PRICE €
542701	63mm	20mm (1/2")	
542702	63mm	25mm (3/4")	
542704	90mm	20mm (1/2")	
542705	90mm	25mm (3/4")	
542707	110mm	20mm (1/2")	
542708	110mm	25mm (3/4")	
542710	160mm	20mm (1/2")	
542711	160mm	25mm (3/4")	
542713	180mm	20mm (1/2")	
542714	180mm	25mm (3/4")	

CODE	SIZE	BOX QTY	PRICE €
542721K	2" x 1/2" for Poly.	20	
542731K	3" x 1/2" for Poly.	15	
542741K	4" x 1/2" for Poly.	15	
542761K	6" x 1/2" for Poly.	10	

CODE	SIZE	BOX QTY	PRICE €
542623	2" x 3/4" for Poly.	15	
542633	3" x 3/4" for Poly.	15	
542643	4" x 3/4" for Poly.	12	
542663	6" x 3/4" for Poly.	10	

### BSP Male Ended Saddles

CODE	SIZE	BOX QTY	PRICE €
542422K	2" x 3/4"	15	
542432K	3" x 3/4"	15	
542442K	4" x 3/4"	16	
542462K	6" x 3/4"	12	

## Stopcocks

### BS1010 Stopcock Male B.S.P.



CODE	REF	SIZE	BOX QTY	PRICE €
540100	150	3/4"	20	
540150	150	1"	10	

### Stopcock for Polythene CxC to IS 134: 1977 & IS 135: 1975



CODE	REF	SIZE	BOX QTY	PRICE €
540200	150	1/2"	20	
540250	150	3/4"	20	

## Gunmetal Adaptors

CODE	SIZE	BOX QTY	PRICE €
540322	3/4" FI x C 312 in Gunmetal	10	
540323	3/4" FI x C 381 in Gunmetal	10	

## Gunmetal Accessories

CODE	SIZE	BOX QTY	PRICE €
540325	3/4" nut in Gunmetal	50	
540326	3/4" Copper Ring	100	
540330	1" Copper Ring	-	

## Banjos

CODE	SIZE	PRICE €
542421	3/4" BSP	
540328	3/4" Copper Nut & Tail	
540327	1" Copper Nut & Tail	

# Plumbing Tools & Accessories



## PTFE Tape



CODE	DESCRIPTION	BOX QTY	PRICE €
771049	0.3g/cm3, 0.075mm x 12mm x 10mm	250	
771050	Gas PTFE Tape	250	

## Hemp 200g



CODE	BOX QTY	PRICE €
771035	24	

## Wire Wool



CODE	BOX QTY	PRICE €
771036	12	

## Fire Cement



CODE	DESCRIPTION	BOX QTY	PRICE €
771033	Colour black	12	

## Pipe Lubricant



CODE	DESCRIPTION	BOX QTY	PRICE €
771034	1 Litre	12	

## Gel PVC Cement



BS EN 14680 KM 58926G  
BS EN 14814 KM 61005E



CODE	DESCRIPTION	BOX QTY	PRICE €
771032	250ml	24	

### Vortex Pro Brazing Torch



CODE	QUANTITY	PRICE €
771369	1	

### Brazing Torch Pack



CODE	DESCRIPTION	PRICE €
771342	Incl. 3 burner tubes & 400g MAP-EX Gas Cylinder	
771343	Incl. 3 burner tubes & 400g Propane Gas Cylinder	

### Gas Cylinder



CODE	DESCRIPTION	PRICE €
771341	Mix Pro Gas/Map-X 400g VG1	
771345	Propane/Butane Gas 400g VG2	

### Vortex Solder Mat



CODE	DESCRIPTION	PRICE €
771370	600g Vortex Solder Mat 10" x 10"	

### Silicone Spray



CODE	DESCRIPTION	PRICE €
771346	Silicone Spray 400ml	

### Arctic Spray



CODE	DESCRIPTION	PRICE €
771305	Arctic Spray Can 200ml 8-15mm ZE1	
771306	Arctic Spray Can 415ml 8-28mm AS2	

### Sleepsafe Carbon Monoxide Alarm



CODE	DESCRIPTION	PRICE €
771347	Sleepsafe CO Alarm Sealed Battery 10 Year	

### Hayes Holdtite Flat Tap



CODE	DESCRIPTION	PRICE €
771353	1/2" - 5 Pack	
771354	3/4" - 5 Pack	
771355	3/8" - 5 Pack	

### Oval Syphon Diaphragm



CODE	DESCRIPTION	PRICE €
771356	5 Pack	

### Round Syphon Diaphragm Washer



CODE	DESCRIPTION	PRICE €
771357	4 1/2" - 5 Pack	

### Braided Glass Yarn



CODE	DESCRIPTION	PRICE €
771363	6mm x 5m	
771364	6mm x 10m	
771365	10mm x 5m	
771366	10mm x 10m	
771367	12mm x 5m	

### Basin Poly Washer



CODE	DESCRIPTION	PRICE €
771348	1 1/4" - 5 Pack	

### Sink Poly Washer



CODE	DESCRIPTION	PRICE €
771349	1 1/2" - 5 Pack	
771350	1 1/4" - 5 Pack	

### Poly Pillar Tap Washer



CODE	DESCRIPTION	PRICE €
771351	1/2" - 5 Pack	
771352	3/4" - 5 Pack	

### Shower Hose Washer



CODE	DESCRIPTION	PRICE €
771358	1/2" - 5 Pack	

### Flexible Tap Connector Washer



CODE	DESCRIPTION	PRICE €
771359	1/2" - 10 Pack	
771360	3/4" - 10 Pack	

### Fibre Pump Washer



CODE	DESCRIPTION	PRICE €
771361	2 Pack	

### Ballvalve Diaphragm Washer



CODE	DESCRIPTION	PRICE €
771362	1 1/4" - 5 Pack	

### Radiator Key Clock Type

CODE	BOX QTY	PRICE €
771093	L	



### Radiator Keys

CODE	BOX QTY	PRICE €
771092	L	



### Chrome Radiator Extension Piece

CODE	SIZE	PACK QTY	PRICE €
770982	20mm	25	
770983	25mm	25	
770984	30mm	25	
770985	40mm	25	
770986	50mm	10	
770987	60mm	10	
770988	80mm	10	
770995	100mm	10	

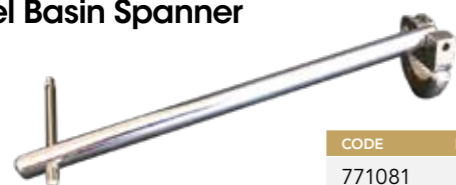


### Standard Basin Spanner

CODE	PRICE €
771080	



### Swivel Basin Spanner



CODE	PRICE €
771081	

### Pipe Reamer

CODE	SIZE	BOX QTY	PRICE €
IP20010	16mm – 26mm	40	
IP20011	20mm – 32mm	30	



### Pipe Cutter

CODE	SIZE	BOX QTY	PRICE €
IP20016	Up to 32mm	-	
IP20009	Up to 63mm	-	



### Copper Tube Cutter

CODE	DESCRIPTION	PRICE €
900115	Pipe slice 1/2" copper tube cutters	
900121	Pipe slice 3/4" copper tube cutters	
900123	Pipe slice 1" copper tube cutters	
900122	Pipe slice 22mm copper tube cutters	
900117	Pipe slice 28mm	
900124	Spare Cutting Wheel	



# Pipe Support Brackets



## Talon Single Hinged Snap-Over Clips



CODE	SIZE	PACK QTY	PRICE €
695110T	15mm	100	
695120T	22mm	100	
695130T	28mm	100	

## Talon EZ Joist Clips



CODE	SIZE	PACK QTY	PRICE €
695201T	15mm	100	
695202T	22mm	100	

## Talon Flex Hinge Snap-Over Clips



CODE	SIZE	PACK QTY	PRICE €
695131T	15mm - 16mm	100	
695133T	19mm - 21mm	100	
695135T	25mm - 27.4mm	100	
695137T	31.08mm - 35mm	100	

## No.2 Galvanized Steel Clips



CODE	SIZE	PACK QTY	PRICE EACH €
621000PK	3/8"	100	
621010PK	1/2"	100	
621020PK	3/4"	100	
621030PK	1"	100	
621040PK	1 1/4"	100	
621050PK	1 1/2"	50	
621060PK	2"	50	

## No.16 Saddle Bands



CODE	SIZE	PACK QTY	PRICE EACH €
662302PK	15mm	100	
662300PK	22mm	100	
662301PK	28mm	100	

## No.36 Cast Brass Screw-On Brackets



CODE	SIZE	PACK QTY	PRICE EACH €
673010PK	15mm	100	
673020PK	22mm	50	
673030PK	28mm	50	
673040PK	35mm	25	
673050PK	42mm	25	
673011 PK	15mm CP	-	
673021 PK	22mm CP	-	

## No.53 Brass Back Plate



CODE	DESCRIPTION	PACK QTY	PRICE EACH €
673801PK	10mm Female Metric Boss	100	

## No.60 Rubber Lined Clips



CODE	SIZE	PACK QTY	PRICE EACH €
673408	13mm to 16mm	25	
673414	15mm to 19mm	25	
673420	20mm to 25mm	25	
673426	26mm to 30mm	25	
673432	32mm to 36mm	25	
673440	38mm to 43mm	10	
673454	54mm to 58mm	10	
673490	107mm to 112mm	10	
673491	113mm to 118mm	10	

## No.90 Snap-In Plastic Clips



CODE	SIZE	PACK QTY	PRICE EACH €
695010PK	15mm	100	
695020PK	22mm	100	
695030PK	28mm	100	

## No.93 Snap-Over Clips



CODE	SIZE	PACK QTY	PRICE EACH €
695110PK	15mm	100	
695120PK	22mm	100	
695130PK	28mm	100	

# EIRLINE®

KITCHEN SINK & TAP COLLECTION

**EIRLINE**  
KITCHEN & BATHROOM TAPS

**2**  
YEAR  
WARRANTY

**EIRLINE**  
KITCHEN SINKS

**7**  
YEAR  
WARRANTY

## Sinks & Taps Designed for the Trade

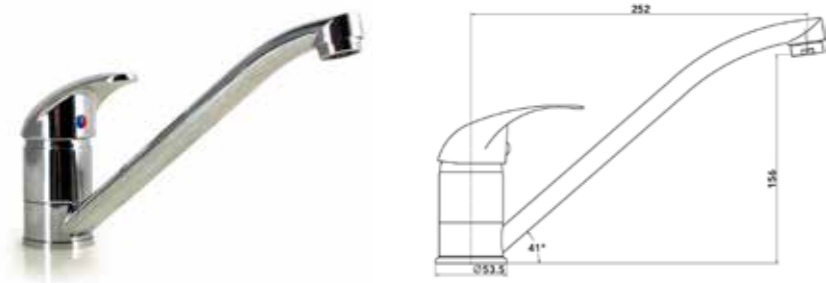
Eirline is a trusted brand by Instantor, developed to meet the needs of trade professionals across kitchen and bathroom projects. With over 45 years of experience behind it, the Eirline range delivers quality sinks and taps that combine durable performance with clean, timeless design.

From modern statement taps to traditional styles and practical pull-out options, Eirline offers a broad selection of products that suit a variety of installation requirements. Whether you're working on a contemporary new build or a classic renovation, Eirline provides dependable solutions that are easy to specify and install.

Backed by Instantor's reputation for quality and reliability, each Eirline product is made to high standards using proven materials and manufacturing processes. With a focus on functionality, style, and long-term performance, the range is designed to help trade professionals deliver a great finish, every time.

Whether you're supplying for contract work, refurbishment projects, or showroom displays, Eirline is a practical, trusted choice for trade customers across the board.





Chrome 580306

## SERENA

Finish	Code	Price €
Chrome	580306	

### Technical Information

Min Pressure	0.2 Bar
Overall Height	184mm
Spout Exit Reach	252mm



Chrome 580077

## GABI

Finish	Code	Price €
Chrome	580077	

### Technical Information

Min Pressure	0.2 Bar
Overall Height	326mm
Spout Exit Reach	178mm



Chrome 580324

## BRANDON

Finish	Code	Price €
Chrome	580324	

### Technical Information

Min Pressure	0.2 Bar
Overall Height	345mm
Spout Exit Reach	190mm



Chrome 580084

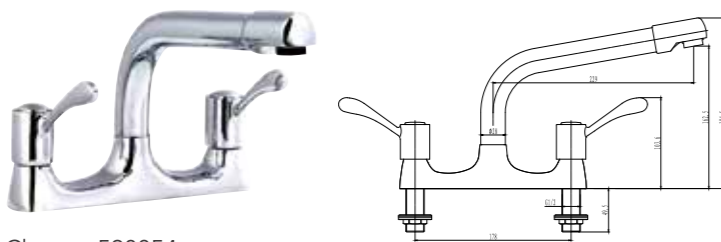
Brushed 580083

## FREYA

Finish	Code	Price €
Chrome	580084	
Brushed Chrome	580083	

### Technical Information

Min Pressure	0.5 Bar
Overall Height	345mm
Spout Exit Reach	176mm



Chrome 598054

## SIENNA

Finish	Code	Price €
Chrome	598054	

### Technical Information

Min Pressure	0.2 Bar
Overall Height	195mm
Spout Exit Reach	229mm



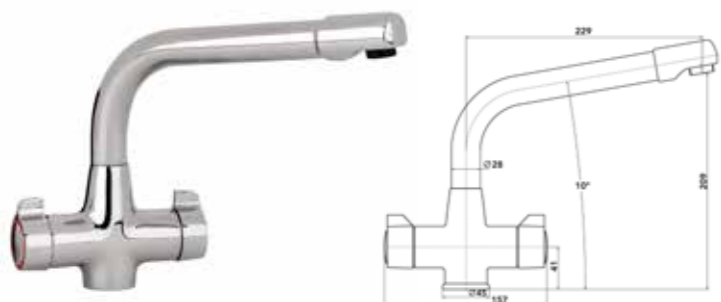
Chrome 580307

## ADELE

Finish	Code	Price €
Chrome	580307	

### Technical Information

Min Pressure	1.0 Bar
Overall Height	185mm
Spout Exit Reach	195mm



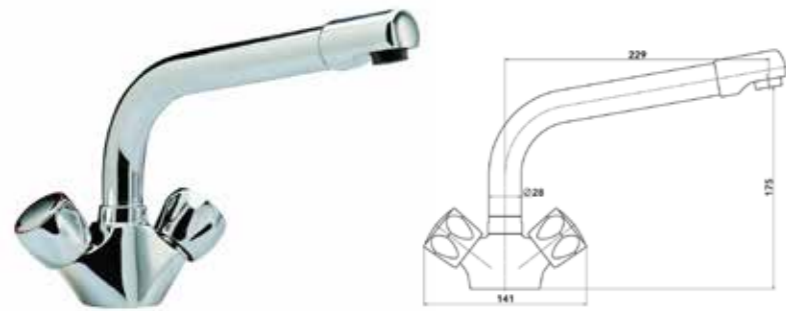
Chrome 580314

## SOFIA

Finish	Code	Price €
Chrome	580314	

### Technical Information

Min Pressure	0.2 Bar
Overall Height	242mm
Spout Exit Reach	229mm



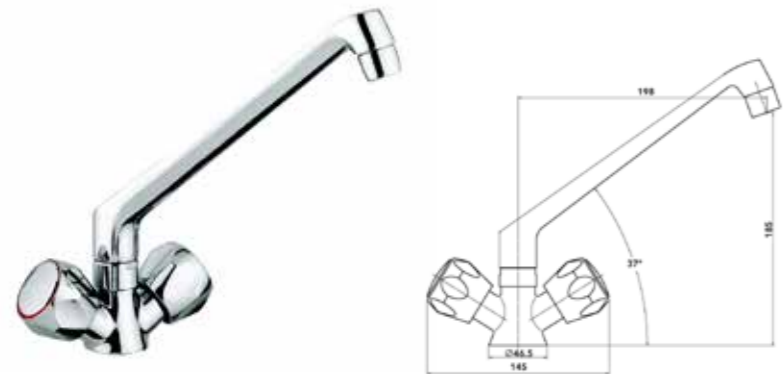
Chrome 580333

## GINA

Finish	Code	Price €
Chrome	580333	

### Technical Information

Min Pressure	0.2 Bar
Overall Height	207mm
Spout Exit Reach	229mm



Chrome 580020

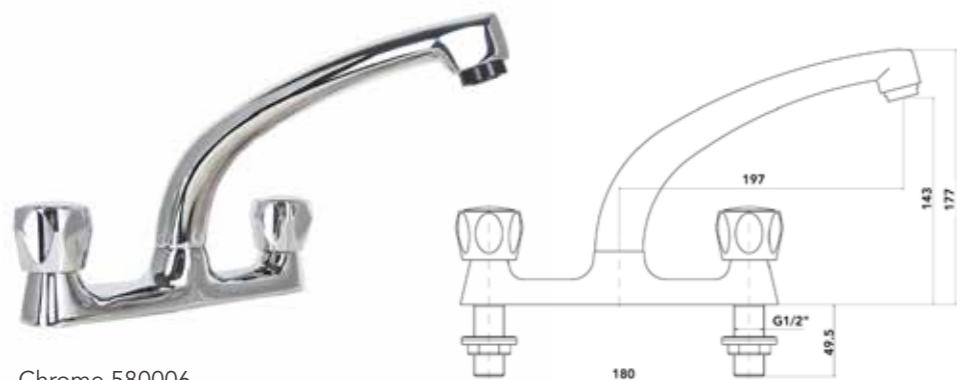
## EDITH

Finish	Code	Price €
Chrome	580020	

### Technical Information

Min Pressure	0.2 Bar
Overall Height	228mm
Spout Exit Reach	198mm

## LUNA



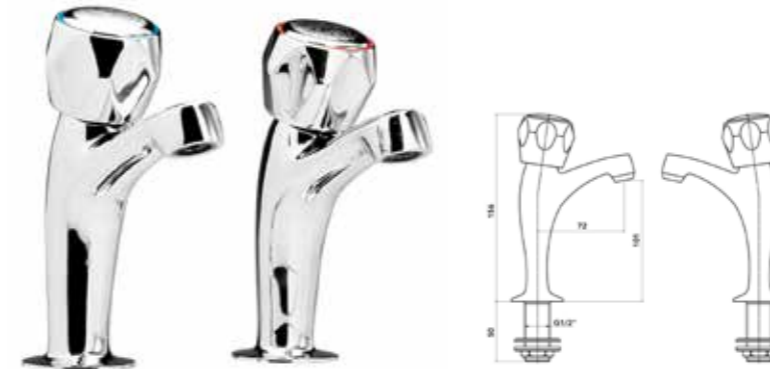
Chrome 580006

Finish	Code	Price €
Chrome	580006	

### Technical Information

Min Pressure	0.2 Bar
Overall Height	177mm
Spout Exit Reach	197mm

## JOLINE



Chrome 580003

Finish	Code	Price €
Chrome	580003	

### Technical Information

Min Pressure	0.2 Bar
Overall Height	156mm
Spout Exit Reach	72mm

## ESTER



Chrome 598053

Finish	Code	Price €
Chrome	598053	

### Technical Information

Min Pressure	0.2 Bar
Overall Height	173mm
Spout Exit Reach	72mm

## FILTER TAP



TAP Chrome 710516

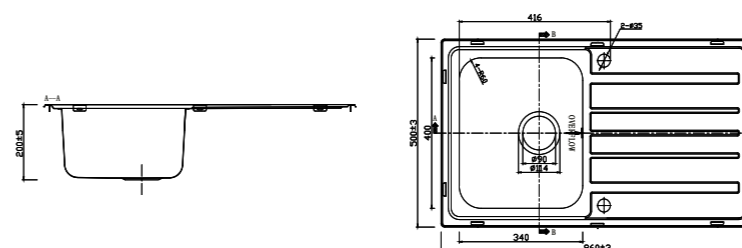
Finish	Code	Price €
Chrome	710516	

### Technical Information

Min Pressure	0.2 Bar
Overall Height	240mm
Spout Exit Reach	120mm

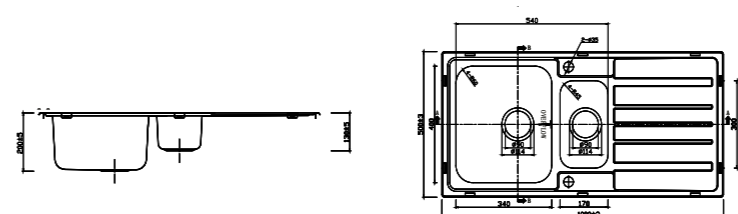
**EIRLINE**<sup>®</sup>

KITCHEN SINKS



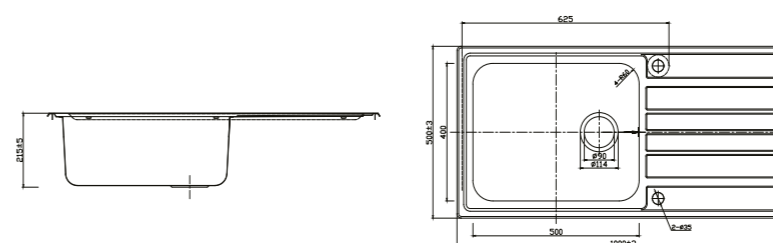
## HUGO SB

Code	5032K
Overall Size	860 x 500mm
Main Bowl Size	340 x 400 x 200mm
Second Bowl Size	N/A
Min Base Unit	450mm
Material	SUS304
Drainer	Reversible
Price	



## HUGO 1.5 BOWL

Code	5033K
Overall Size	1000 x 500mm
Main Bowl Size	340 x 400 x 200mm
Second Bowl Size	170 x 300 x 160mm
Min Base Unit	550mm
Material	SUS304
Drainer	Reversible
Price	



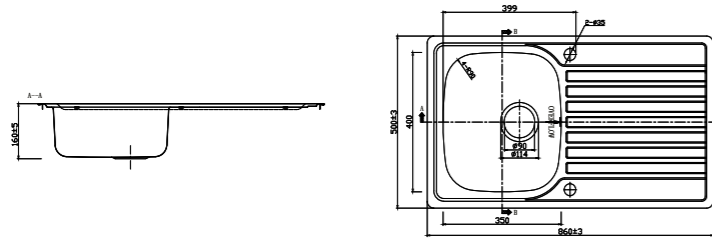
## HUGO XL BOWL

Code	5039K
Overall Size	1000 x 500mm
Main Bowl Size	500 x 400 x 215mm
Second Bowl Size	N/A
Min Base Unit	500
Material	SUS304
Drainer	Reversible
Price	



## NOVA SB

Code	5030K
Overall Size	860 x 500mm
Main Bowl Size	350 x 400 x 160mm
Second Bowl Size	N/A
Min Base Unit	500mm
Material	SUS304
Drainer	Reversible
Price	

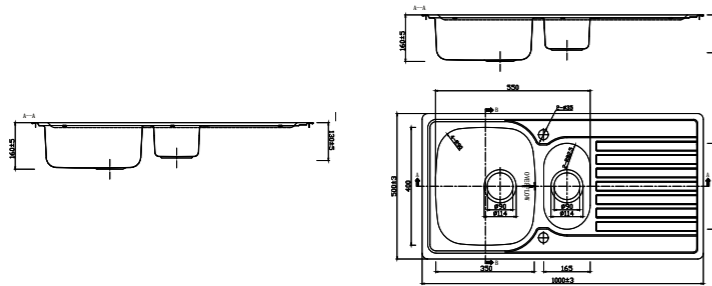


NOVA SB



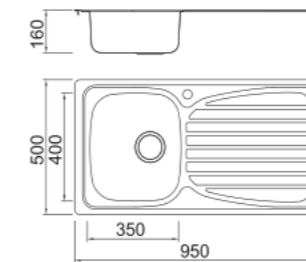
## NOVA 1.5 BOWL

Code	5031K
Overall Size	1000 x 500mm
Main Bowl Size	350 x 400 x 160mm
Second Bowl Size	165 x 295 x 130mm
Min Base Unit	600mm
Material	SUS304
Drainer	Reversible
Price	



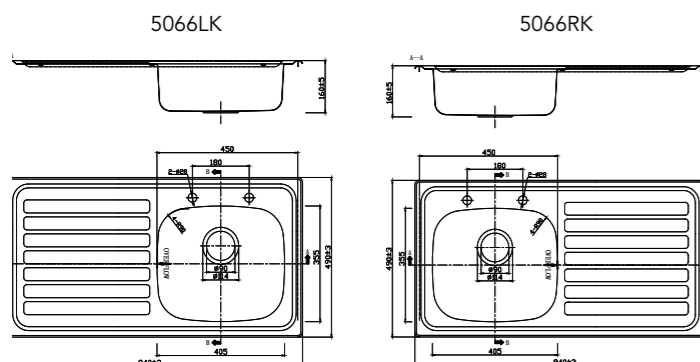
## STANDARD

Code	611100K
Overall Size	950 x 500mm
Main Bowl Size	340 x 400 x 160mm
Second Bowl Size	N/A
Min Base Unit	450mm
Material	0.7mm S/S 304
Finish	Satin Brushed
Price	



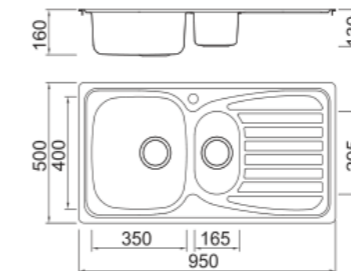
## IVAR SB 2 TAP HOLE

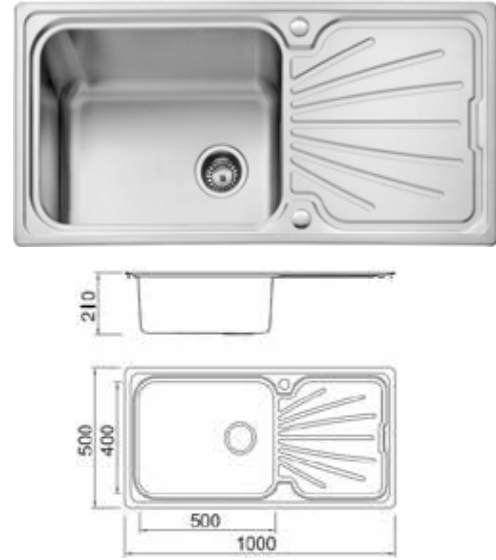
Code	5066LK	5066RK
Overall Size	940 x 490mm	940 x 490mm
Main Bowl Size	405 x 355 x 160mm	405 x 355 x 160mm
Second Bowl Size	N/A	N/A
Min Base Unit	500mm	500mm
Material	SUS304	SUS304
Drainer	Left Handed	Right Handed
Price		



## 1.5 BOWL

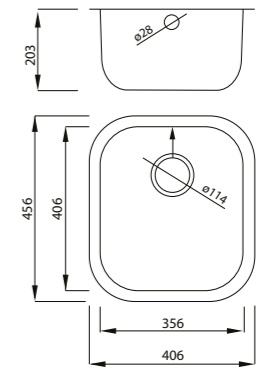
Code	611255K
Overall Size	950 x 500mm
Main Bowl Size	350 x 400 x 160mm
Second Bowl Size	165 x 295 x 130mm
Min Base Unit	600mm
Material	0.7mm S/S 304
Finish	Satin Brushed
Price	





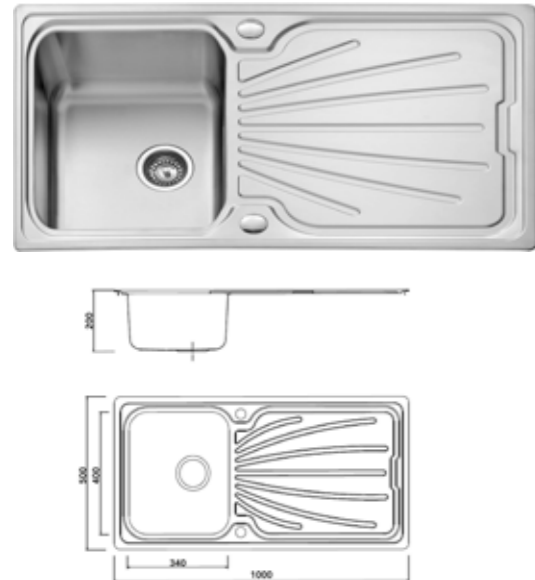
## XL

Code	610423K
Overall Size	1000 x 500mm
Main Bowl Size	500 x 400 x 210mm
Second Bowl Size	N/A
Min Base Unit	600mm
Material	0.8mm S/S 304
Finish	Satin Brushed
Price	



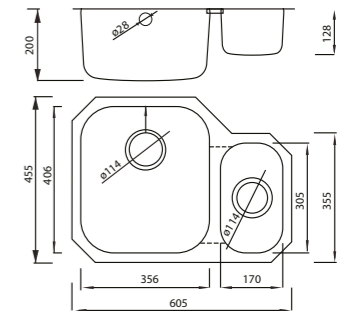
## SF35

Code	611160K
Overall Size	406 x 456mm
Main Bowl Size	356 x 406 x 203mm
Second Bowl Size	N/A
Min Base Unit	500mm
Material	1mm S/S 304
Finish	Satin Brushed
Price	



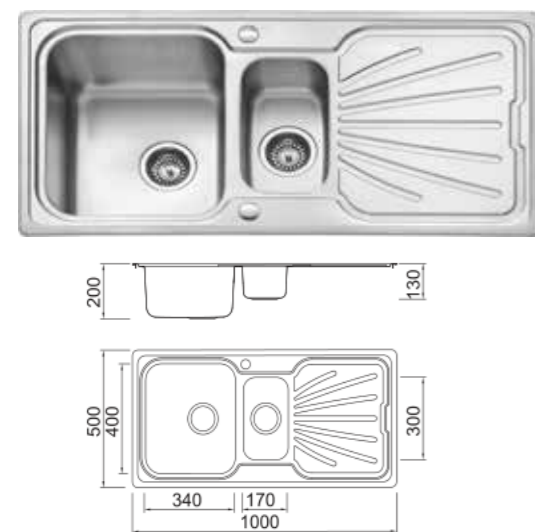
## STANDARD

Code	610424K
Overall Size	1000 x 500mm
Main Bowl Size	350 x 400 x 200mm
Second Bowl Size	N/A
Min Base Unit	450mm
Material	0.8mm S/S 304
Finish	Satin Brushed
Price	



## SF3515

Code	611162K(L) / 611163K(R)
Overall Size	605 x 455mm
Main Bowl Size	356 x 406 x 200mm
Second Bowl Size	170 x 305 128mm
Min Base Unit	700mm
Material	1mm S/S 304
Finish	Satin Brushed
Price	



## 1.5 BOWL

Code	610425K
Overall Size	1000 x 500mm
Main Bowl Size	350 x 400 x 200mm
Second Bowl Size	170 x 300 x 130mm
Min Base Unit	600mm
Material	0.8mm S/S 304
Finish	Satin Brushed
Price	



HUGO SB



**1/2" Basin Taps**

CODE	PRICE €
580001	

**Spare Spindles**

CODE	PRICE €
580999	



**3/4" Basin Taps**

CODE	PRICE €
580002	



**1/2" High Neck Sink Taps**

CODE	PRICE €
580003	

**Spare Spindles**

CODE	PRICE €
580999	



**Bath Shower Mixer**

CODE	PRICE €
580605	



**Sink & Shower Pack**

CODE	PRICE €
580608	



**1/2" Non Concussive Basin Taps**

CODE	PRICE €
598205	

**Spare Spindles**

CODE	PRICE €
598206	



**3/4" Bath / Shower Mixer**

CODE	PRICE €
580005	



**Basin Mixer with Pop-Up**

CODE	PRICE €
580007	



**Basin Taps**

CODE	PRICE €
598051	



**High Neck Sink Taps**

CODE	PRICE €
598053	



**Crosshead Basin Taps**

CODE	PRICE €
580601	



**Crosshead Bath Taps**

CODE	PRICE €
580602	



**Mono Basin Mixer**

CODE	PRICE €
580607	



**Spare Levers & Valves**

CODE	DESCRIPTION	PRICE €
799300	3"	

# WASTEMASTER®

FOOD WASTE DISPOSER

GOODBYE  
FOOD WASTE,  
HELLO  
CONVENIENCE



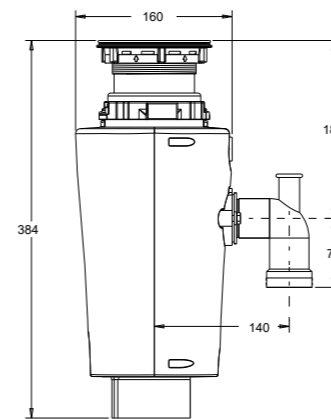
## THE WASTEMASTER FOOD WASTE DISPOSAL UNIT IS AN ESSENTIAL ADDITION TO EVERY HOME.

It sits neatly beneath the kitchen sink and provides a simple, convenient, and sanitary way to handle food waste. The unit is attached directly to the sink and rather than being thrown into a bin, food waste goes straight into the WasteMaster aided by a stream of cold water from the tap. It is then quickly and quietly ground into tiny particles and despatched to wastewater treatment facilities via the drainage system.

WasteMaster units feature an ingeniously powerful magnetic motor that provides instant torque to make light work of most food items. A compact outer shell also leaves plenty of room for under-sink plumbing needed for instant hot water taps and other appliances.

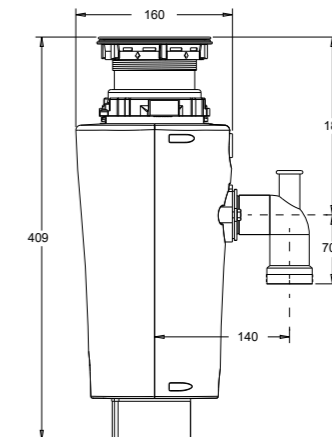
-  **CONVENIENCE:** WasteMaster food waste disposers make cleaning up in the kitchen easier and more convenient. Instead of food waste building-up in a bin, you can simply wash it down the drain, saving time and effort.
-  **REDUCED ODOURS:** By disposing of food waste promptly, you can reduce the chances of odours lingering in your kitchen..
-  **REDUCING FOOD WASTE:** Treating the food waste via anaerobic digestion allows it to be processed along with sewage, potentially leading to the production of biogas, which can be captured for various purposes including biosolids, which are rich in nutrients and can be used as fertiliser.
-  **IMPROVED HYGIENE:** By reducing the amount of food waste in your kitchen bins, there's less likelihood of attracting pests such as insects or rodents, which helps improve the overall hygiene of your kitchen.
-  **COST SAVINGS:** Over time, the use of a food waste disposer can provide savings on bin bags and help to potentially decrease blockages in your system.
-  **VERSATILITY:** Food waste disposers can handle a wide range of food waste, making them suitable for most kitchen environments.
-  **POWERFUL MOTOR:** Benefitting from a permanent magnetic motor that provides instant torque, the WasteMaster can quickly and easily grind up most types of food waste. Fat and grease should be disposed on separately and not via the WasteMaster.
-  **COMPACT DESIGN:** The WasteMaster boasts a compact slimline shell, to minimise the space taken up under the sink.

## WasteMaster 0.5HP



Product Code	5080
Horsepower	0.5
Motor Speed RPM	2600 RPM
Voltage	220-240v
Wattage	475
Amps	2.25
Cycles	50-60
Built-In Air Switch	Yes
Motor Type	Permanent Magnet
Splash Guard	Removable
Grind Ring	Stainless Steel
Swivel Impellers	Stamped Stainless Steel
Balance Turntable	Stainless Steel
Balance Armature Shaft	Yes
Sound Shell	Deluxe Sound Shell
Dishwasher Connection	Yes
Unit Weight	4.5kg
Lifetime Corrosion Guarantee	Yes
Price €	

## WasteMaster 0.75HP



Product Code	5081
Horsepower	0.75
Motor Speed RPM	2700 RPM
Voltage	220-240v
Wattage	550
Amps	2.25
Cycles	50-60
Built-In Air Switch	Yes
Motor Type	Permanent Magnet
Splash Guard	Removable
Grind Ring	Stainless Steel
Swivel Impellers	Cast Stainless Steel
Balance Turntable	Stainless Steel
Balance Armature Shaft	Yes
Sound Shell	Super Deluxe Sound Shell
Dishwasher Connection	Yes
Unit Weight	6.35kg
Lifetime Corrosion Guarantee	Yes
Price €	

# Plumbers Brassware



## Plumber's Brassware



**1/2" Basin Pillar  
IS287:1986**

CODE	DESCRIPTION	REF.	PRICE PAIR €
599501	Star Cross Hot & Cold	181X	



**1/2" H.N. Pillar  
IS287:1986**

CODE	DESCRIPTION	REF.	PRICE PAIR €
599503	Star Cross Hot & Cold	183X	



**1/2" CP Bibcock**

CODE	DESCRIPTION	REF.	PRICE PAIR €
520150	Hot & Cold	5302/CP	



**1/2" Brass  
Bibcock Dipped**

CODE	DESCRIPTION	BOX QTY	REF.	PRICE EACH €
520010	Brass Bibcock	5	5302	



**1/2" Hose Union  
Bibcock Dipped**

CODE	DESCRIPTION	BOX QTY	REF.	PRICE EACH €
520050	Bibcock Dipped	5	5302 HU	

**1/2" Nut & Tail for H.U. Bibcock**

CODE	PRICE €
520090	



**Hose Union  
Bibcock**

CODE	SIZE	PACK QTY	PRICE €
771500	1/2"	50	
771502	3/4"	50	
771505	1/2" H.U. Nut & Tail	10	
771507	3/4" H.U. Nut & Tail	10	

## Wastes & Tap Repair Kits

### Wastes with Chain and Brass Plug



CODE	REF.	SIZE	DESCRIPTION	PRICE €
740130	E395	1 1/4"	Basin waste	
740133	-	1 1/2"	Bath waste	

### Basin and Bath Tap Universal Conversion Kit



CODE	REF.	DESCRIPTION	PRICE €
589921	MCK001	1/2" & 3/4" Tap Conversion Kit	
589923	-	1/2" Victorian Conversion Kit	

### Presflo Fliptop Wastes



CODE	ITEM	PRICE €
740140	1 1/4" Presflo Basin Waste Slotted	
740141	1 1/4" Presflo Basin Waste Unslotted	

### 1/2" Chrome Plated Handle & Valve complete (Ref G72) SC300 (BS5412)



CODE	BOX QTY	PRICE €
589935	64	

### C.P. on Brass



CODE	ITEM	SIZE	REF. NO.	PRICE €
740880	1 1/2" Unslotted Bath Waste	1 3/8" Tail 2 7/8" Flange	088	

### Copper Tails

CODE	PRICE € PAIR
580996	

### Push Button / Click Clack Basin Waste



CODE	ITEM	SIZE	PRICE €
599303	Slotted	-	
599304	Unslotted	-	

### C.P. on Brass Basin Waste



CODE	ITEM	SIZE	PRICE €
740833	1 1/4" Slotted Basin Waste	3 1/2" Tail 2 7/16" Flange	

### Economy Bath Pop-up Waste & Overflow



CODE	ITEM	PRICE €
740881	Suitable for baths up to 9mm thick	

## Miscellaneous

REF	CODE	DESCRIPTION	PRICE €
1592	610328	Adaptor for Round Bowl	
WKIT A	610440	Eirline Single Bowl	
WKIT B	610441	Eirline 1.5 Bowl	
PP0010/S	SS2301	Viva Basket Strainer Waste with Square Overflow	
PP0011	SS2302	Viva Basket Strainer Waste with No Overflow	

# Terms and Conditions of Sale

## 1. PRICES

All quotations are made and orders accepted without engagement. Every effort will be made to carry out any contract in accordance with the quoted prices. Orders are only accepted by the Seller for execution, however, at prices ruling at dates of despatch.

## 2. ORDERS

Orders accepted by the Seller cannot be cancelled without the Seller's consent in writing. Orders are accepted for delivery without responsibility for unforeseen hindrances, shortages of material, delays in transit, accidents, etc. Delivery dates are approximate and cannot be guaranteed, although they will be adhered to as far as possible. No responsibility can be accepted for delay in delivery.

## 3. ILLUSTRATIONS

The Seller cannot guarantee that the illustrations in the Seller's catalogues are in all cases identical with the goods the Seller supply, as improvements and modifications may be made from time to time.

## 4. WEIGHTS

Weights and measurements, when given, are generally correct, but must be taken as approximate only; they cannot be guaranteed.

## 5. WARRANTY

All goods are carefully tested, gauged, and inspected before despatch. Should any goods prove defective owing to faulty materials or workmanship, they will be replaced free provided such goods are returned to the Seller within three months from date of despatch. Beyond this, the Seller gives no guarantee, and accepts no responsibility for damage, direct or indirect or consequent from this or any cause. This warranty is given in place of any warranty or conditions (including any conditions as to quality or fitness for any particular purpose) implied by Common Law, Statute, or otherwise, which are hereby expressly excluded.

## 6. BREACH OF WARRANTY

The Seller accepts no responsibility for any breach of Clause 5 (Warranty) or in respect of any defect in the goods or damage caused by the use of the goods due to (i) ordinary wear and tear (ii) improper handling or storage or non-compliance with installation or handling regulations or excessive strain or use (iii) force majeure, special external circumstances not foreseen in respect of the goods or due to the use of the goods beyond normal use or (iv) use of the goods for a purpose for which they are not intended including, for example (but

without limitation), use and/or installation of the goods in any location (whether underground or otherwise) for which the goods are not suited.

## 7. NEW ACCOUNTS

Two approved trade references are requested.

## 8. SETTLEMENT TERMS

All accounts are strictly "Nett Monthly". Accounts are due and should be paid direct to the Seller. Receipts if requested will not be recognised except on the Sellers specially printed form. Clerical errors and omissions are subject to correction.

## 9. CONTRACTS

Delivery of contracts must be taken within the period specified, otherwise the Seller reserves the right to cancel or deliver the outstanding balances at the end of the period.

## 10. DELIVERY

If direct from Works to the Buyers warehouse in one lot, carriage paid. For orders under €250.00, carriage applied at €6.00 per carton, €20 per bundle (pipe lengths) and €35.00 per pallet. Delivery charges outside of Ireland confirmed upon order.

## 11. PACKING

Packing is non-returnable and free of charge.

## 12. NOTIFICATION OF DAMAGE, PARTIAL LOSS, SHORTAGES, ETC

Buyers must notify the Seller in writing in the event of damage, loss or shortage within seven days of delivery of goods. Every consignment ex Works contains a Contents Note and the reference number thereof, should be quoted. In the absence of such written advice from the Buyers to the Sellers, the goods will be deemed to have been delivered complete, and in a satisfactory condition, and the risk in the goods is then transferred to the Buyers.

## 13. SPECIALS

Specials are fittings made to customers orders, and differing from the specification given in the Sellers catalogue. Orders for such specials will be charged on the basis of the Sellers works costs, whether they are alterations to the Sellers existing patterns, or totally new designs, and under no circumstances can the Seller accept their return or cancellation. Any reasonable quantity made by the Seller in excess of an order to cover the possibility of 'Rejects' on the Sellers test, will, in the case of specials, be sent and invoiced to the customer.

## 14. PART DELIVERIES

Where goods contracted for are deliverable by instalments, each delivery shall be deemed to constitute a separate enforceable contract.

## 15. ACCEPTANCE OF ORDERS

Contracts and orders are only accepted upon and subject to Sellers' Standard Conditions of Sale, as printed herein. Unless expressly accepted in writing by the Seller, any qualification of these conditions in a Customers form or otherwise, will be of no effect whatsoever.

## 16. RETURNED FITTINGS

A 12.5% rehandling charge will be levied on any goods returned to the Seller that the Seller previously agreed to accept back, with the exception of those that are covered by Clause 5 (Warranty).

## 17. EXPORTS

Are subject to quotation and separate conditions of sale.

## 18. PRESSINGS, CASTINGS, TURNED PARTS AND JOBBING WORK

Made to customers specifications are subject to quotation. Separate conditions of sale apply.

## 19. RETENTION OF TITLE AND ALL MONIES CLAUSE

Sanbra Fyffe Ltd retains ownership of goods supplied until all debts owed to Sanbra Fyffe Ltd by the purchaser have been paid in full.

## 20. DISPUTE RESOLUTION PROCESS

(A) Negotiations: The Seller and the Buyer will attempt to resolve any controversy relating to this agreement by negotiations between representatives of the parties who have authority to settle the controversy. The Seller and the Buyer must at all times act in good faith in the course of those negotiations.

The Buyer will give the Seller written notice of the dispute. Within five business days of receiving the notice, the Seller will submit to the buyer a written response. Neither the notice or the response shall exceed 500 words. The representatives shall meet at a mutually acceptable time and place within five business days of the date of the Seller's response.

(B) Mediation: If the matter has not been resolved within five business days of the Seller's response, or if either party will not meet, the dispute will be submitted to mediation as set out below. The mediator will have no power to bind the parties. The mediation will be confidential and without prejudice.

(i) Selection of Mediator: The Seller and the Buyer will have three business days from the end of time for negotiation to jointly request that Friarylaw, Mediation Service Provider, The Friary, Bow Street, Dublin 7, supply within two working days, a list of three potential Mediators, who will be professionally trained in mediation and have suitable industry expertise. Within two business days of the receipt of the list, the Seller and the Buyer will independently rank the proposed candidates, will simultaneously exchange rankings, and will agree to select as Mediator the individual receiving the highest combined ranking who is available. If either party does not rank and provide a copy of the ranking to the other party, the party who does rank will be able to select the Mediator from the list.

(ii) Time and Place for Mediation: In consultation with the Mediator, the Seller and the Buyer will designate a mutually convenient time for the mediation and unless circumstances require otherwise, the date should be not later than five business days after the selection of the Mediator. All Mediations should take place at the Registered Office and Place of business of Sanbra Fyffe, Sanbra Fyffe Limited, Instantor Works, Santry Avenue, Santry, Dublin, D09 K160.

(iii) Fees of the Mediator: The fees of the mediator will be discharged equally by the Buyer and the Seller.

(iv) Termination of Procedure: The Seller and the Buyer agree to participate in the Mediation for at least Four Hours (unless terminated earlier by the Mediator). After that time, either the Seller or the Buyer may leave the mediation at any time. If the mediation does not yield a settlement, the Seller and the Buyer agree not to take any action including letters in contemplation of litigation (other than good faith attempts to negotiate a settlement to the dispute) prior to the conclusion of a five day post mediation period that commences on the day after the conclusion of the mediation.







# Instantor<sup>®</sup>

T 01 842 6255 E sales@instantor.ie

[www.instantor.ie](http://www.instantor.ie)

**Sanbra Fyffe Ltd.**

Instantor Works, Santry Avenue, Santry, Dublin D09 K160



Superior Plumbing Products  
for **Professional Plumbers**  
Since 1926

26.04 Unpriced