

ST JAMES

LIVING



BRINGING EXPERIENCES TO LIFE

KITCHEN SINKS & BRASSWARE



CONTENTS

KITCHEN SINKS

PVD		IZZY	16
MILO	7	HUGO	17
MILO BELFAST	8	ARI	18
COMPOSITE		COMPOSITE HIGH GLOSS	
EMA	10	EMA BELFAST	20
ANA	11	NORI	21
STAINLESS STEEL		WASTE KITS & ACCESSORIES	22
LEO	13		
OTTO	14		

KITCHEN TAPS

DUAL LEVER		TRADITIONAL	
INGO	24	ALMA	32
IVY	25	EDEN	33
IDA	26	ELSA	34
NOA	27	DARCY	35
ISAK	28	PULL-OUT	
ODA	29	FELIX	37
SINGLE LEVER		RAYNE	38
ELI	30	FILTER TAP	39
VALENTINA	31		

ST JAMES
ENGLAND

STJAMESENGLAND.COM

All prices inclusive of VAT.



KITCHEN
SINKS

FROM PAGE 6



KITCHEN
TAPS

FROM PAGE 24

BRINGING EXPERIENCES TO LIFE

Since 1990, the **St James** brand has been recognised for seamlessly combining iconic styling with assured quality and reliability.

Today, the **St James Living** kitchen collection brings together an exquisite portfolio of sinks and taps that have been designed to enhance any home, from the cool and contemporary to the classically traditional.

An unwavering attention to detail and the latest manufacturing technologies also ensure that our kitchen sinks and taps are beautifully designed, perfectly functional and easy to clean. The choice of styles and latest on-trend finishes have also been carefully curated to offer a solution for each and every taste.

As with all **St James** products, the Living kitchens range is manufactured using proven materials and components in order to deliver exceptional long term performance.



ST JAMES
LIVING



St James PVD Sinks are made from premium SUS304 stainless steel and feature a unique NANO coating which offers anti-fingerprint and scratch resistance abilities and effectively restrains the growth of bacteria.

Each sink is made with the latest sound absorbing materials designed to allow you all of the benefits and luxuries that come from a stainless-steel sink, without having to deal with the extra sounds that they can create.

The range consists of single and 1.5 bowl undermounts with an artisan grade brushed satin finish in an array of different colour options. Unique to this range is the PVD Belfast style sink, offering the design of a traditional Belfast sink but with a contemporary twist, with finishes in Brushed Brass & Copper.

3
YEAR
WARRANTY

ST JAMES
LIVING

**PVD KITCHEN
SINKS**

MILO

Make a statement with a MILO undermount. Available in bold but stunning metallic finishes, it is sure to stand out in your kitchen area. Each sink is supplied with a matching PVD waste, offering pure colour match satisfaction.

MATCHING WASTE KIT INCLUDED

Alternative colour waste kits also available - see page 22

**FINISHES
AVAILABLE**

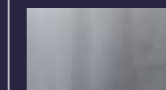
Brushed Brass



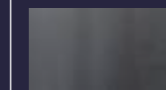
Brushed Copper



Steel Grey

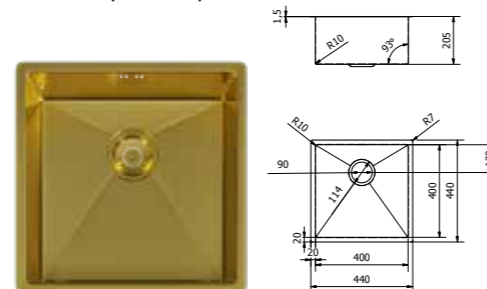


Gunmetal Grey



MILO Single Bowl
440 x 440mm - Undermount

Min. Base Unit: 500mm
Main Bowl (L x W x D): 400 x 400 x 200mm



Finish	Code	Price inc. VAT
Brushed Brass	5041BBK	€1,073.79
Brushed Copper	5041BCK	€1,073.79
Gunmetal Grey	5041GGK	€1,073.42
Steel Grey	5041SGK	€512.91

MILO 1.5 Bowl
670 x 440mm - Undermount

Min. Base Unit: 700mm
Main Bowl (L x W x D): 417 x 400 x 200mm
Second Bowl (L x W x D): 178 x 400 x 200mm



Finish	Code	Price inc. VAT
Brushed Brass	5042BBK	€1,382.52
Brushed Copper	5042BCK	€1,382.52
Gunmetal Grey	5042GGK	€1,381.41
Steel Grey	5042SGK	€702.33

MILO BELFAST

The MILO Belfast allows those who want the statement Belfast bowl but with a twist, bring in some colour to your kitchen with two beautiful finishes.

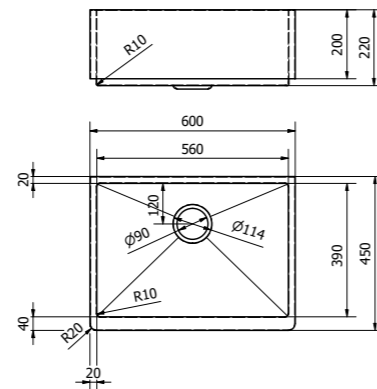
MATCHING WASTE KIT INCLUDED

Alternative colour waste kits also available - see page 22



MILO BELFAST 600 x 450mm

Min. Base Unit: 600mm
Main Bowl (L x W x D): 560 x 390 x 200mm



Finish	Code	Price inc. VAT
Brushed Brass	5043BBK	€1,772.43
Brushed Copper	5043BCK	€1,772.43



Sink shown: MILO BELFAST
Brushed Copper 5043BCK



5
YEAR
WARRANTY

St James Composite Sinks are constructed from pressed composite material, with a toughened outer layer which offers great strength and can withstand high heat temperatures. The material used has antibacterial properties and a high degree of scratch and impact resistance making it less prone to mechanical damage but maintaining the same visual appeal as cast materials.

The **St James** Composite range includes stylish undermounts, traditional Belfast style sinks and inset single or 1.5 bowl options in a variety of different colours.

EMA

The EMA range of composite sinks is subtle and minimal. The seamless finish offers effortless cleaning and maintenance. The perfect choice for contemporary kitchens available in 3 finishes.

CHROME WASTE KIT INCLUDED

Coloured waste kit available - see page 22



ANA

The ANA composite sink can only be described as sleek and sophisticated. Beautifully crafted with clean linear draining grooves tying in perfectly with precise angled corners in the bowl. Available in single bowl & 1.5 bowl options in 3 different finishes.

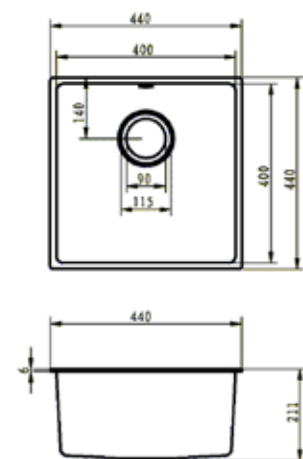
CHROME WASTE KIT INCLUDED

Alternative colour waste kits also available - see page 22



EMA Single Bowl
440 x 440mm - Undermount

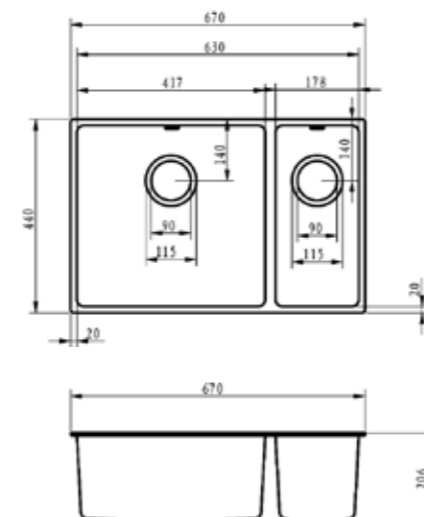
Min. Base Unit: 500mm
Main Bowl (L x W x D): 400 x 400 x 211mm



Finish	Code	Price inc. VAT
Matt White	5046MWK	€421.89
Matt Black	5046MBK	€421.89
Matt Grey	5046MGK	€421.89

EMA 1.5 Bowl
670 x 440mm - Undermount

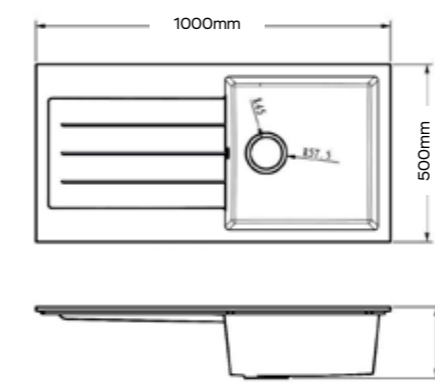
Min. Base Unit: 700mm
Main Bowl (L x W x D): 417 x 400 x 206
Second Bowl (L x W x D): 178 x 400 x 206mm



Finish	Code	Price inc. VAT
Matt White	5047MWK	€612.54
Matt Black	5047MBK	€612.54
Matt Grey	5047MGK	€612.54

ANA Single Bowl
1000 x 500mm - Reversible Drainer

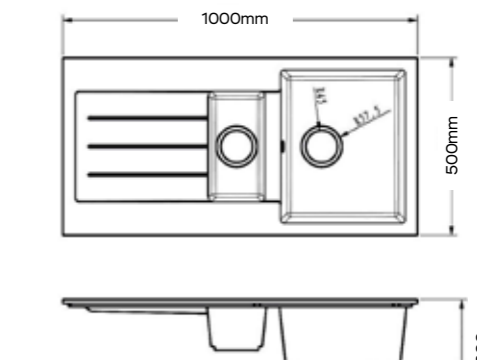
Min. Base Unit: 600mm
Main Bowl: 425 x 430 x 200mm



Finish	Code	Price inc. VAT
Matt White	5044MWK	€516.60
Matt Black	5044MBK	€516.60
Matt Grey	5044MGK	€516.60

ANA 1.5 Bowl
1000 x 500mm - Reversible Drainer

Min. Base Unit: 600mm
Main Bowl: 345 x 430 x 200mm
Second Bowl: 155 x 310 x 135mm



Finish	Code	Price inc. VAT
Matt White	5045MWK	€536.28
Matt Black	5045MBK	€536.28
Matt Grey	5045MGK	€536.28

ST JAMES
LIVING

STAINLESS STEEL
KITCHEN SINKS



7
YEAR
WARRANTY

St James Stainless Steel sinks still remain the most popular choice of kitchen sink. Made from premium SUS304 stainless steel, a sturdy, hygienic and practical material. The range varies in sizing offering a suitable solution for most kitchen designs. A standout sink which is becoming a clear favourite is the LEO Single Bowl. Save on counter space by using the various suitable accessories to do all your food prep and storage, including chopping boards, strainers and rolling drainer mats.

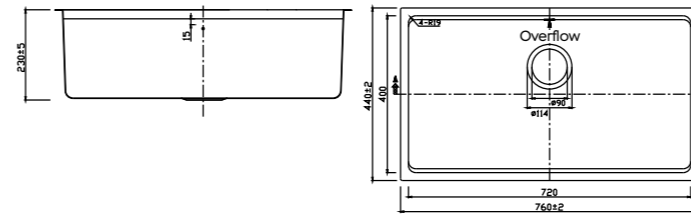
LEO

The LEO is taking the lead in professional and smart choices when it comes to kitchen sinks. Save on counter space by utilising the accessories available for food prep and storage.

- SUS304 Stainless Steel
- 0.8mm Gauge
- Brushed Satin Finish
- Wastekit Included
- Undermount Installation

LEO Single Bowl
760 x 440mm

Min. Base Unit: 800mm
Main Bowl: 720 x 400 x 230mm



Finish	Code	Price inc. VAT
Stainless Steel	5040K	€334.56



COMPATIBLE ACCESSORIES

Stainless Steel Colander
398 x 230 x 55mm



Code	Price inc. VAT
5051	€60.27

Chopping Board
440 x 240 x 20mm



Finish	Code	Price inc. VAT
Sapele	5050	€46.74
Oak	5052	€46.74

Rolling Mat
440 x 240mm



Code	Price inc. VAT
5053	€28.29



Sink shown: LEO Single Bowl 5040K
Tap shown: FELIX Chrome 5011CM

OTTO

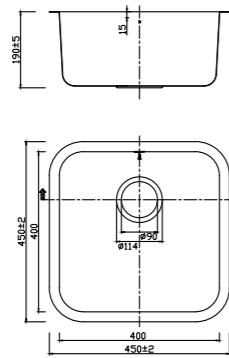
The OTTO undermounts are perfectly suited to any kitchen. Combine different bowl sizes to match your requirement perfectly. Available in left and right hand options, the bowls feature a beautiful curve design which will remain timeless forever.

- SUS304 Stainless Steel
- 0.8mm Gauge
- Brushed Satin Finish
- Wastekit Included

OTTO 45 Single Bowl 450 x 450mm

Min. Base Unit: 450mm
Main Bowl: 400 x 400 x 190mm

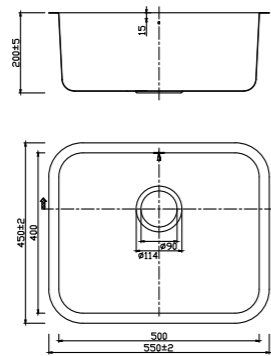
Finish	Code	Price inc. VAT
Stainless Steel	5035K	€157.44



OTTO 55 Single Bowl 550 x 450mm

Min. Base Unit: 550mm
Main Bowl: 500 x 400 x 200mm

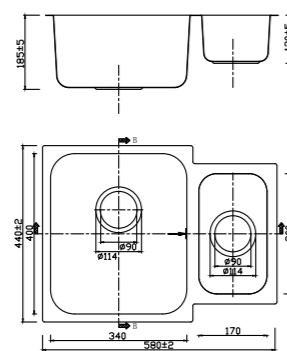
Finish	Code	Price inc. VAT
Stainless Steel	5036K	€185.73



OTTO 1.5 Reversible 580 x 440mm

Min. Base Unit: 600mm
Main Bowl: 340 x 400 x 185 mm
Second Bowl: 170 x 300 x 120mm

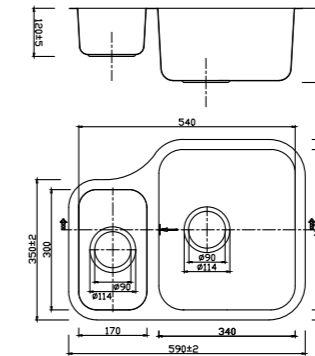
Finish	Code	Price inc. VAT
Stainless Steel	5037K	€250.92



OTTO 1.5 Bowl Left Handed 590 x 450mm

Min. Base Unit: 600mm
Main Bowl: 340 x 400 x 185mm
Second Bowl: 170 x 300 x 120mm

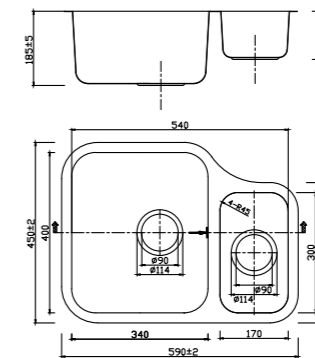
Finish	Code	Price inc. VAT
Stainless Steel	5038LK	€250.92



OTTO 1.5 Bowl Right Handed 590 x 450mm

Min. Base Unit: 600mm
Main Bowl: 340 x 400 x 185mm
Second Bowl: 170 x 300 x 120mm

Finish	Code	Price inc. VAT
Stainless Steel	5038RK	€250.92



Compatible Sink Protectors:



SMALL 370 x 310mm
Suits: 5037
5038L
5038R



MEDIUM 370 x 370mm
Suits: 5035

Size	Code	Price inc. VATw
Small	5054	€44.28
Medium	5055	€44.28

Sink shown: OTTO 1.5 Bowl 5036K
Tap shown: NOA Black 5006B

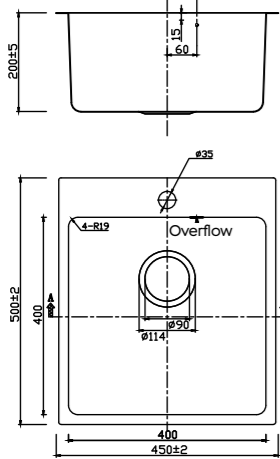
IZZY

The IZZY provides a sleek & modern look, the sink blends seamlessly with the counter top due to its slim design.

- SUS304 Stainless Steel
- 0.8mm Gauge
- Brushed Satin Finish
- Wastekit Included

IZZY Single Bowl - 450 x 500mm

Min. Base Unit: 500mm
Main Bowl (L x W x D): 400 x 400 x 200mm



Finish	Code	Price inc. VAT
Stainless Steel	5034K	€222.63



Sink shown: IZZY 5034K
Tap shown: ISAK Brushed Chrome 5012BF

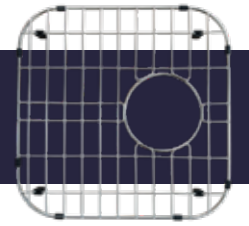
HUGO

The HUGO is an upgrade from the classic stainless steel sink, featuring a linear draining board. Hard wearing and durable, it will suit all styles of kitchens.

- Reversible Drainer
- SUS304 Stainless Steel
- 0.6mm Gauge
- Brushed Satin Finish
- Wastekit Included

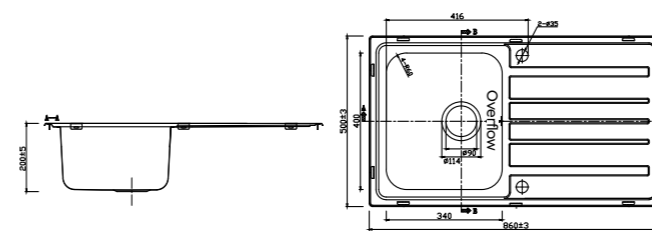
COMPATIBLE ACCESSORIES

Stainless Steel Sink Protector
Product Code: 5054



HUGO Single Bowl & Reversible Drainer 860 x 500mm

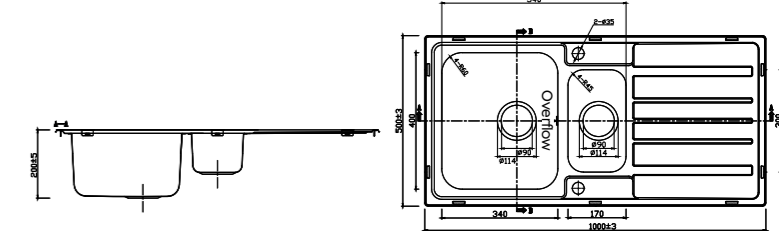
Min. Base Unit: 500mm
Main Bowl (L x W x D): 340 x 400 x 200mm



Finish	Code	Price inc. VAT
Stainless Steel	5032K	€194.34

HUGO 1.5 Bowl & Reversible Drainer 1000 x 500mm

Min. Base Unit: 600mm
Main Bowl (L x W x D): 340 x 400 x 200mm
Second Bowl (L x W x D): 170 x 300 x 160mm



Finish	Code	Price inc. VAT
Stainless Steel	5033K	€253.38



Sink shown: HUGO Single Bowl 5032K
Tap shown: NOA Chrome 5006CM

ARI

The ARI is ideal for smaller kitchen spaces, the bowl and drainer sit flush with the counter top offering a unique minimalist design.

- Reversible Drainer
- SUS304 Stainless Steel
- 0.6mm Gauge
- Brushed Satin Finish
- Wastekit Included



ARI Round Bowl 380 x 145 mm

Min. Base Unit: 500mm
Main Bowl: 380 x 145mm



Finish	Code	Price inc. VAT
Stainless Steel	610419K	€151.15

ARI Round Drainer 380 x 45 mm

Min. Base Unit: 500mm
Main Bowl: 380 x 45mm



Finish	Code	Price inc. VAT
Stainless Steel	610427K	€125.99



Sink shown: ARI Round Bowl & Drainer
Tap shown: IVY Chrome 5005CM



ST JAMES
LIVING

**COMPOSITE HIGH GLOSS
KITCHEN SINKS**

EMA BELFAST

The EMA Belfast has all the visuals of a Belfast sink but is constructed using composite materials. A cost effective solution for a Belfast sink in a traditional style kitchen.

CHROME WASTE KIT INCLUDED

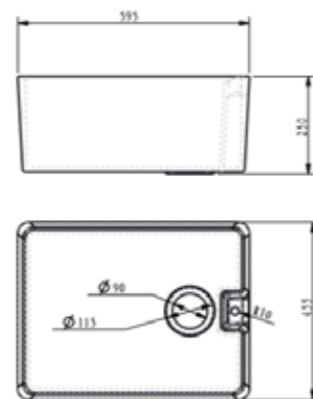
Alternative colour waste kits also available - see page 22

FINISHES AVAILABLE | Gloss White



EMA BELFAST
595 x 445mm

Min. Base Unit: 600mm
Main Bowl (L x W x D): 565 x 424 x 235mm



Finish	Code	Price inc. VAT
Gloss White	5047GWK	€656.82

NORI

The NORI composite range, where traditional meets modern. The high gloss finish makes it an eye catcher, featuring a recessed drainer with statement lines and a spacious bowl. Pair the NORI with a traditional tap like the ELSA and you will certainly complete the farmhouse feel.

CHROME WASTE KIT INCLUDED

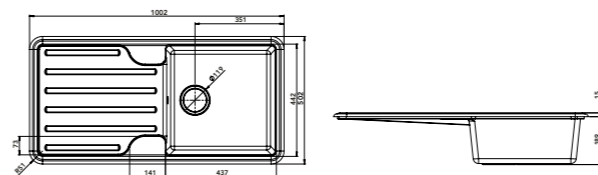
Alternative colour waste kits also available - see page 22

FINISHES AVAILABLE | Gloss White



NORI Single Bowl
1000 x 500mm - Reversible Drainer

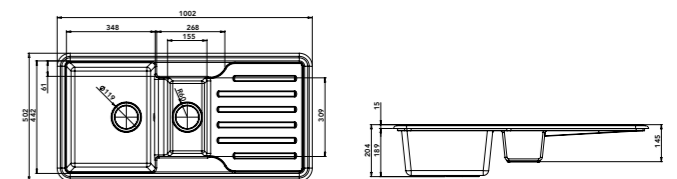
Min. Base Unit: 600mm
Main Bowl (L x W x D): 437 x 442 x 190mm



Finish	Code	Price inc. VAT
Gloss White	5048GWK	€549.81

NORI 1.5 Bowl
1000 x 500mm - Reversible Drainer

Min. Base Unit: 650mm
Main Bowl (L x W x D): 348 x 442 x 190mm
Second Bowl (L x W x D): 155 x 309 x 145mm



Finish	Code	Price inc. VAT
Gloss White	5049GWK	€584.25



Sink shown: EMA Belfast
Gloss White 5047GWK



Sink shown: NORI Single Bowl
Gloss White 5048GWK

WASTE KITS & ACCESSORIES

Single & 1.5 Bowl Waste Kit Codes

Colour								
Single Bowl	5058K	5062BBK*	5062BCK*	5062SGK*	5062GGK*	5062MWK*	5062MBK*	5062MGK*
1.5 Bowl	5059K	5063BBK*	5063BCK*	5063SGK*	5063GGK*	5063MWK*	5063MBK*	5063MGK*

*Includes strainer bowl & overflow pipe only

Sink Accessories

Stainless Steel Colander
398 x 230 x 55mm



Code	Price inc. VAT
5051	€60.27

Rolling Mat
440 x 240mm



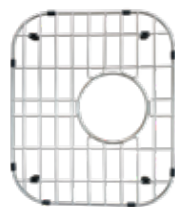
Code	Price inc. VAT
5053	€28.29

Chopping Board
440 x 240 x 20mm



Finish	Code	Price inc. VAT
Sapele	5050	€46.74
Oak	5052	€46.74

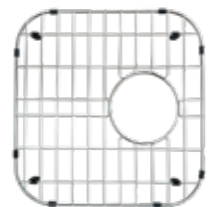
Sink Protector Small
370mm x 310mm



Suits:
5032
5033
5037
5038L
5038R

Code	Price inc. VAT
5054	€44.28

Sink Protector Medium
370mm x 370mm



Suits:
5035

Code	Price inc. VAT
5055	€44.28

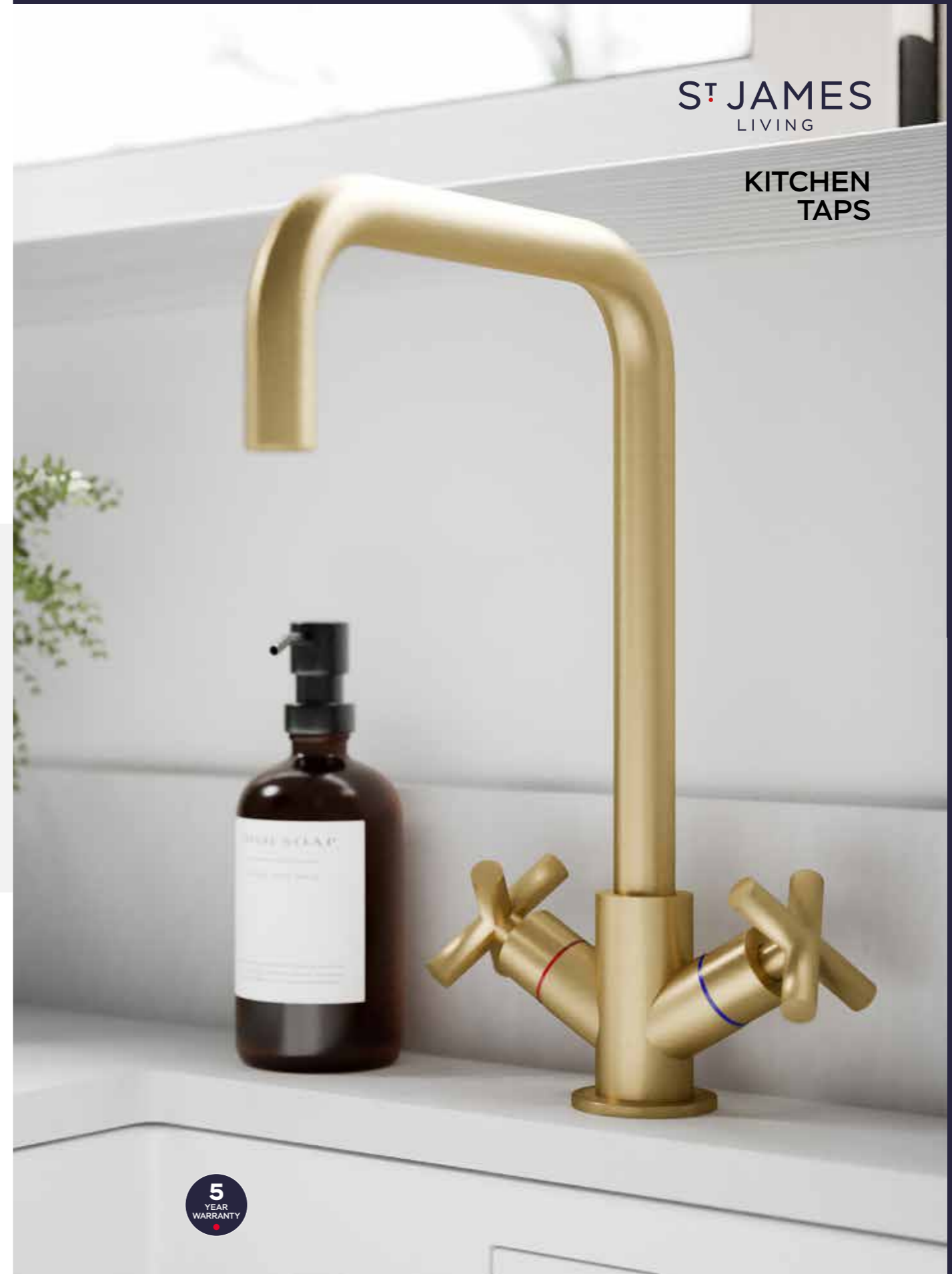
Soap Dispenser



Finish	Code	Price inc. VAT
Chrome	5060CM	€79.70
Brushed Chrome	5060BF	€56.52

ST JAMES
LIVING

KITCHEN
TAPS



5
YEAR
WARRANTY

INGO

Up the wow factor with clean lines and a square design, the INGO is a contemporary tap which will pair well with most sinks. The square levers and base blend seamlessly with the slim swivel spout, available in two colour finishes.

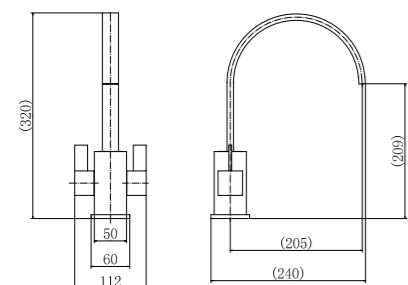


INGO Chrome 5008CM

Technical Information

Min Pressure 0.2 Bar
 Overall Height 320mm
 Spout Exit Reach 205mm

Finish	Code	Price inc. VAT
Chrome	5008CM	€209.10
Brushed Chrome	5008BF	€253.38



Chrome 5008CM



Brushed Chrome 5008BF

IVY

The IVY's elegant swan neck swivel spout & striking levers makes it the breakout star when choosing your next tap. Choose from one of five superb colour finishes to bring sophisticated aesthetics to your kitchen.



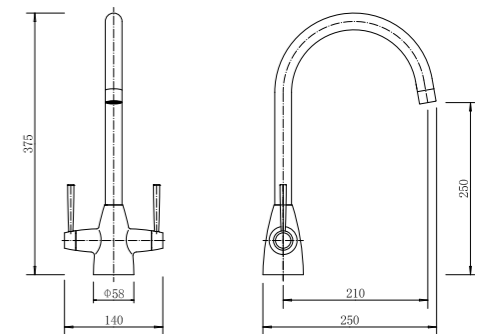
IVY Black 5005B



Chrome 5005CM



Black 5005B



Technical Information

Min Pressure 0.2 Bar
 Overall Height 375mm
 Spout Exit Reach 210mm

Finish	Code	Price inc. VAT
Chrome	5005CM	€186.96
Black	5005B	€215.25
Brushed Chrome	5005BF	€223.86
Brushed Brass	5005BB	€223.86
Copper	5005BC	€223.86



Brushed Brass 5005BB



Brushed Chrome 5005BF



Copper 5005BC

IDA

Make a statement in any modern or contemporary kitchen with the striking IDA tap. Style and personality characterise this unique tap design, ideal for a finishing touch with a refined taste.

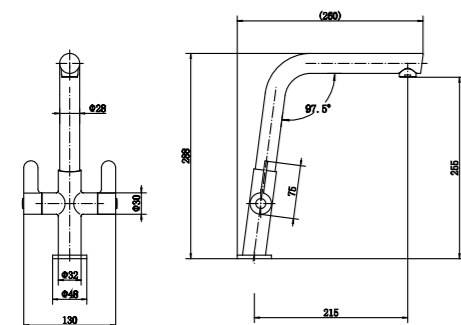


IDA Chrome 5002CM

Technical Information

Min Pressure 0.2 Bar
 Overall Height 288mm
 Spout Exit Reach 215mm

Finish	Code	Price inc. VAT
Chrome	5002CM	€151.29
Brushed Chrome	5002BF	€184.50



Chrome 5002CM

Brushed Chrome 5002BF

NOA

The NOA twin lever tap is a firm favourite for creating a focal point in a kitchen. The graceful swan neck swivel spout, rounded pillar base & choice of five colour finishes will accentuate the tap in any kitchen setting.



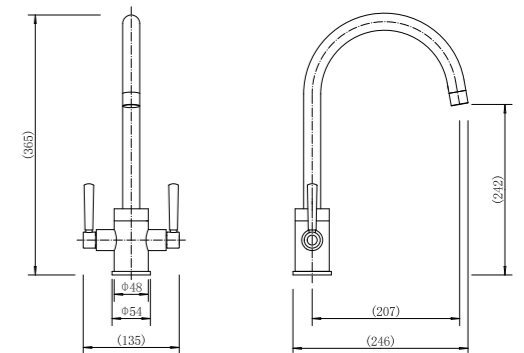
NOA Copper 5006BC



Chrome 5006CM



Black 5006B



Brushed Brass 5006BB



Brushed Chrome 5006BF



Copper 5006BC

Technical Information

Min Pressure 0.2 Bar
 Overall Height 362mm
 Spout Exit Reach 208mm

Finish	Code	Price inc. VAT
Chrome	5006CM	€178.35
Black	5006B	€202.95
Brushed Chrome	5006BF	€210.33
Brushed Brass	5006BB	€210.33
Copper	5006BC	€210.33

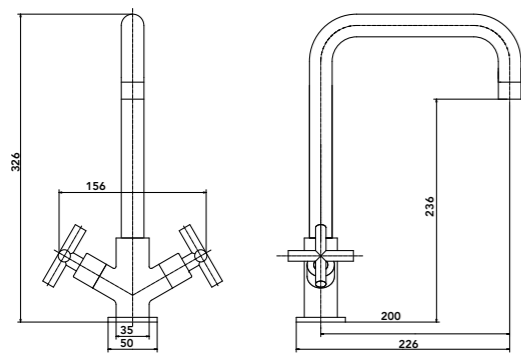
ISAK



Traditional meets modern. The ISAK tap combines the classic style cross head handles with a sleek and modern swivel spout that creates a more square appearance.

Available in four finishes that will suit both traditional and contemporary style kitchens.

ISAK Black 5012B



Chrome 5012CM

Black 5012B

Technical Information

Min Pressure 0.2 Bar
Overall Height 326mm
Spout Exit Reach 200mm

Finish	Code	Price inc. VAT
Chrome	5012CM	€148.83
Black	5012B	€172.20
Brushed Chrome	5012BF	€183.27
Brushed Brass	5012BB	€183.27



Brushed Chrome 5012BF

Brushed Brass 5012BB

ODA

The modern angular design of the ODA tap makes it a unique one. The simplicity of the paddle style levers and the tall neck design makes it a perfect choice for a practical yet central feature of any kitchen. Choose from five exquisite colour finishes.

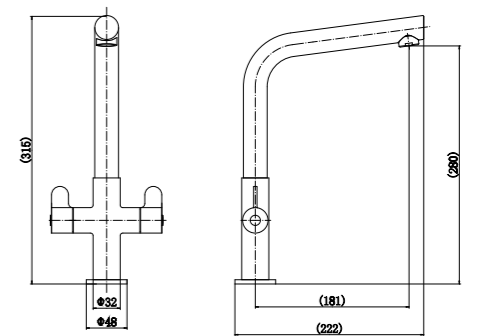


ODA Brushed Chrome 5001BF



Chrome 5001CM

Black 5001B



Brushed Brass 5001BB

Brushed Chrome 5001BF

Copper 5001BC

Technical Information

Min Pressure 0.2 Bar
Overall Height 315mm
Spout Exit Reach 181mm

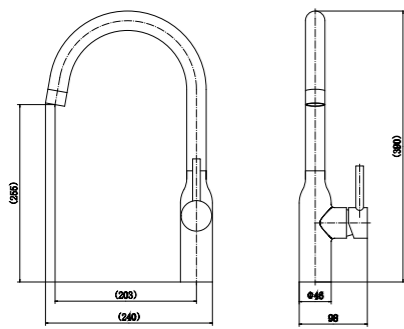
Finish	Code	Price inc. VAT
Chrome	5001CM	€148.83
Black	5001B	€172.20
Brushed Chrome	5001BF	€183.27
Brushed Brass	5001BB	€183.27
Copper	5001BC	€183.27

ELI

The Eli tap is highly desirable, it stands tall & strong combining reliable performance with timeless style. The single lever allows perfect control of temperature and flow, paired with the sleek round swivel spout, this tap will bring a truly modern feel to any kitchen.



ELI Black 5007B



Chrome 5007CM



Black 5007B



Brushed Brass 5007BB



Brushed Chrome 5007BF



Copper 5007BC

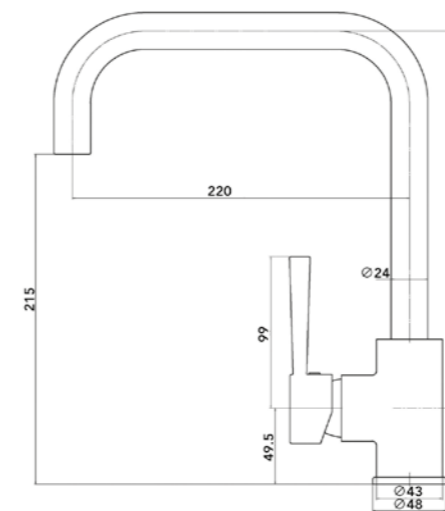
Technical Information

Min Pressure 0.2 Bar
Overall Height 390mm
Spout Exit Reach 203mm

Finish	Code	Price inc. VAT
Chrome	5007CM	€158.67
Black	5007B	€184.50
Brushed Chrome	5007BF	€191.88
Brushed Brass	5007BB	€191.88
Copper	5007BC	€191.88

VALENTINA

The VALENTINA features a modern square spout and a single pin lever delivering an 'on trend' and contemporary feel.



Technical Information

Min Pressure 0.2 Bar
Overall Height 390mm
Spout Exit Reach 203mm

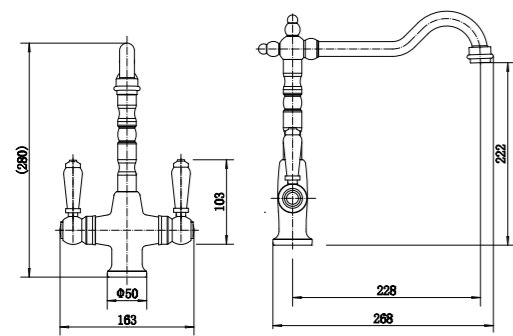
Finish	Code	Price inc. VAT
Chrome	580381	€141.45

ALMA

An extravagant and beautifully designed classic tap with modern functionality. Offering a choice of Brushed Brass, Chrome or Brushed Chrome finishes, it is the perfect addition to compliment ceramic & composite sinks for a more traditional styled kitchen.



ALMA Chrome 5003CM



Technical Information

Min Pressure 0.2 Bar
 Overall Height 280mm
 Spout Exit Reach 228mm

Finish	Code	Price inc. VAT
Chrome	5003CM	€182.04
Brushed Chrome	5003BF	€221.40
Brushed Brass	5003BB	€221.40



Brushed Chrome 5003BF



Chrome 5003CM



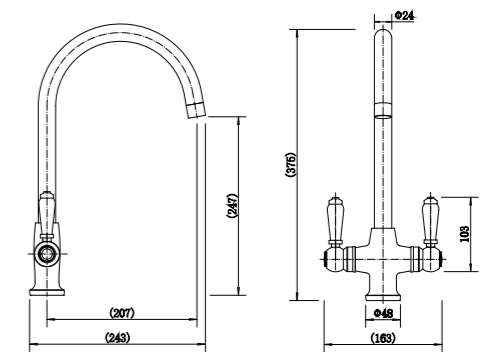
Brushed Brass 5003BB

EDEN

Enhance a traditional kitchen with the stylish victorian swan neck tap. While classic in style, the EDEN remains modern in performance. With a swan neck swivel spout and timeless ceramic white handles it is easy to see why this is a popular favourite.



EDEN Brushed Chrome 5004BF



Technical Information

Min Pressure 0.2 Bar
 Overall Height 375mm
 Spout Exit Reach 207mm

Finish	Code	Price inc. VAT
Chrome	5004CM	€168.51
Brushed Chrome	5004BF	€205.41



Chrome 5004CM



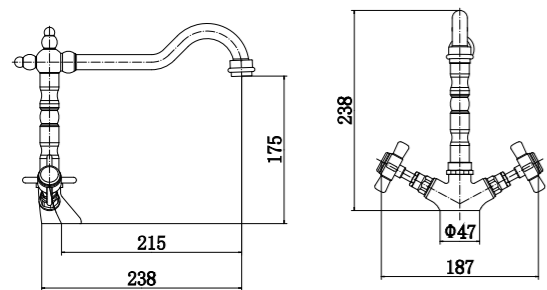
Brushed Chrome 5004BF

ELSA

The smart and classic design of the ELSA tap will make this the centrepiece of your kitchen. With three different colour finishes to choose from, you will have a tap that will perfectly blend with ceramic sinks or a more traditional style kitchen.



ELSA Brushed Brass 5009BB



Chrome 5009CM

Technical Information

Min Pressure 0.2 Bar
Overall Height 238mm
Spout Exit Reach 215mm

Finish	Code	Price inc. VAT
Chrome	5009CM	€143.91
Brushed Brass	5009BB	€180.81
Copper	5009BC	€180.81



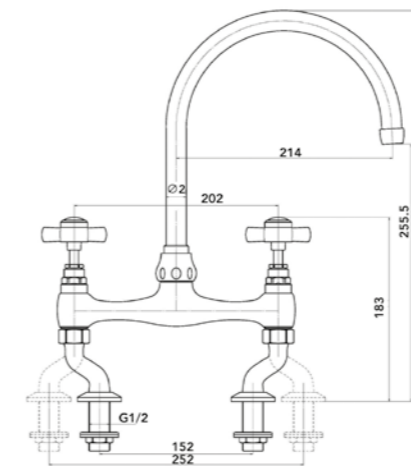
Brushed Brass 5009BB



Copper 5009BC

DARCY

Add a touch of grandeur to the kitchen with the DARCY tap. The decorative renderings give it a turn-of-the-century feel.



Technical Information

Min Pressure 0.2 Bar
Overall Height 388mm
Spout Exit Reach 214mm

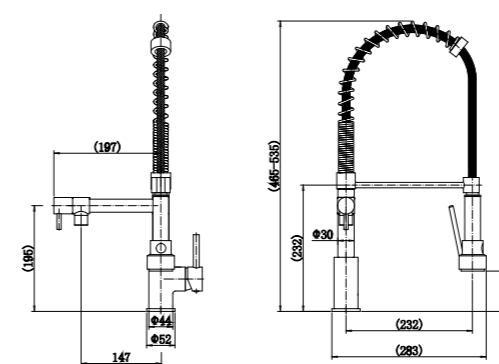
Finish	Code	Price inc. VAT
Chrome	580316	€153.75



FELIX Chrome 5011CM



FELIX Brushed Chrome 5011BF



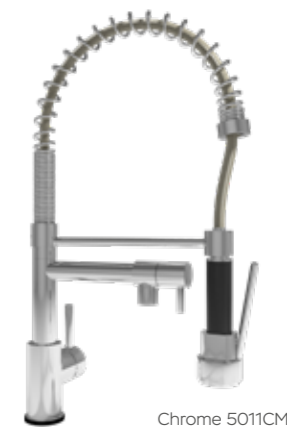
Technical Information

Min Pressure 1.0 Bar
 Overall Height 535mm
 Spout Exit Reach 232mm

Finish	Code	Price inc. VAT
Chrome	5011CM	€238.62
Black	5011B	€275.52
Brushed Chrome	5011BF	€295.20

FELIX

The Felix tap is the number one choice when it comes to professionalism in the kitchen. The pull out spout and flexible hose makes it convenient for daily use and reaching any area of the sink. However, the practical functionality does not take away from the timeless design of the tap, with colours available in Chrome, Brushed Chrome & Black, there is an option to suit any home decor.



Chrome 5011CM



Black 5011B



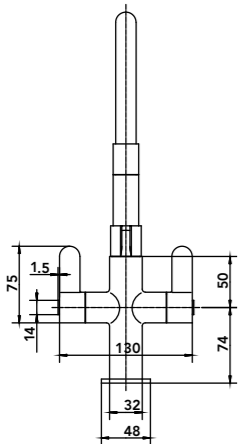
Brushed Chrome 5011BF

RAYNE

The Rayne tap features a pull out flexible hose that gives you more control and makes washing and rinsing a breeze. Choose the black finish for a sleek and stylish look or a chrome finish that will compliment many features of a modern kitchen.



RAYNE Black 5010B



Technical Information

Min Pressure 1.0 Bar
 Overall Height 438mm
 Spout Exit Reach 230mm

Finish	Code	Price inc. VAT
Chrome	5010CM	€162.36
Black	5010B	€193.11



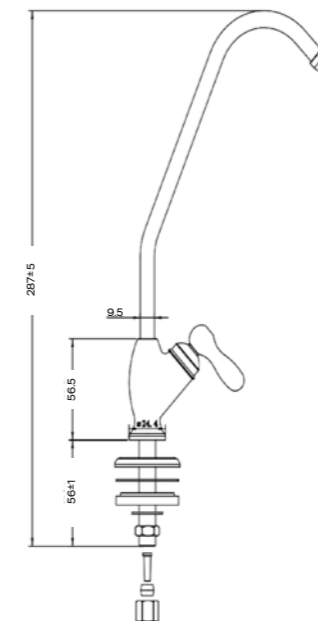
Chrome 5010CM



Black 5010B

FILTER TAP

The separate filter tap is a great addition to any kitchen sink and tap combo. It effectively removes chlorine, herbicides and pesticides to give great tasting drinking water.



Technical Information

Min Pressure 0.2 Bar
 Overall Height 240mm
 Spout Exit Reach 120mm

Finish	Code	Price inc. VAT
Chrome	710516	€250.34

QUICK REFERENCE GUIDE

KITCHEN SINKS

	Material			Installation				Scope of Range		
	Composite	PVD	Stainless Steel	Inset	Under-mount	Universal Handing	Tap Ledge	Single Bowl Option	1.5 Bowl Option	Drainer
MILO		•		•	•			•	•	
MILO BELFAST		•				•		•		
EMA	•			•	•	•	•	•	•	•
ANA	•			•		•	•	•	•	•
EMA BELFAST	•					•		•		
LEO			•		•	•		•		
KAYA			•		•		•	•	•	•
OTTO			•		•			•	•	
IZZY			•	•		•	•	•		
HUGO			•	•		•	•	•	•	•
ARI			•			•		•		•
NORI	•			•		•	•	•	•	•

KITCHEN TAPS

	Water Pressure		Design Features				Finish Options				
	High Pressure	Low Pressure	Solid Spout	Pull Out Spray	Dual Handle	Single Handle	Chrome	Black	Brushed Chrome	Brushed Brass	Copper
INGO		•	•		•		•		•		
IVY		•	•		•		•	•	•	•	•
IDA		•	•		•		•		•		
NOA		•	•		•		•	•	•	•	•
ISAK		•	•		•		•	•	•	•	
ODA		•	•		•		•	•	•	•	•
ELI		•	•			•	•	•	•	•	•
VALENTINA		•	•			•	•				
ALMA		•	•		•		•		•	•	
EDEN		•	•		•		•				
ELSA		•	•		•		•			•	•
DARCY		•	•		•		•				
FELIX	•			•		•	•	•	•		
RAYNE	•			•	•		•	•			
FILTER TAP		•				•	•				

GUARANTEE

At St James, we believe in providing our customers with the best quality products. That is why we guarantee our products against manufacturing defects, provided that they are installed in accordance with St James installation instructions. Our guarantee terms and conditions require that our product is used as recommended by St James in normal domestic purposes and that care, installation, and maintenance instructions have been observed. You should retain a copy of your dated invoice as proof of purchase to guarantee any claims under this warranty. The claim must be made in accordance with all applicable guarantee terms and conditions, including those detailed below.

This guarantee does not cover damage caused by improper use, wilful or accidental damage, damage caused by negligence, normal wear and tear, scuffs or scratches, improper installation, improper storage, abnormal usage (including usage in extreme temperatures), or damage caused by improper maintenance or cleaning (including the use of unidentified chemicals or cleaners containing corrosive agents). Damage caused by impurities in the water supply or acts beyond our control are not covered.

If you wish to make a claim under this guarantee, please contact St James as soon as you identify a manufacturing defect. Upon identifying a defect, do not use or install the product. Our customer service team is available to answer any questions you may have. You can contact us by phone at +353 (0)1 842 6255 or via email at sales@instantor.ie. All claims must be received within the specified guarantee period, and you must include a copy of the invoice confirming the date of purchase and proof of ownership. If you are not the original purchaser of the St James product, we require that you provide proof that the benefit of this guarantee has been transferred to you.

If St James finds that a St James product has a manufacturing defect and a valid claim has been made, we will replace or repair the product at our discretion. This will be St James only obligation under this guarantee in respect of the defective product. Before agreeing to satisfy a claim, St James reserves the right to inspect the product and the installation or view images of the product and installation prior to agreeing to satisfy a claim under St James's guarantee.

St James may discontinue products and makes no promise that it will continue to hold spare products or parts for discontinued products. St James's liability under this guarantee to repair or replace a defective product that has been discontinued will be subject to St James holding the relevant product or spare parts. If a product is discontinued, St James will use reasonable endeavours to hold spare parts for that product for at least five years after discontinuation.

St James will not accept any claims if the products have been modified in any way other than those provided for in the installation instructions. To ensure that your warranty remains valid, any product or parts fitted must be St James's original product, unless previously authorised in writing by St James. Please note that any parts fitted from other sources will invalidate the guarantee.

The guarantee does not affect the purchaser's statutory rights.



NOA Copper 5006BC

GENERAL INFORMATION

BROCHURE INFORMATION

All information contained in this brochure is accurate at the time of going to press. Sanbra Fyffe Ltd T/A Instantor reserves the right to introduce changes and modifications without prior notice. Please note all prices shown are inclusive of VAT at the current rate.

Whilst every attempt has been made to select images that accurately portray our products, variations in colour and style cannot be avoided. Further variations may also be caused by inconsistency in colour, reproduction and print.

DIMENSIONS

Please note all dimensions in this brochure are shown in millimetres unless otherwise stated. They are intended as a guide only and may be subject to a degree of inaccuracy.

PRODUCT GUARANTEE

PVD Sinks - 3 Years
Composite Sinks - 5 Years
Stainless Steel Sinks - 7 Years
Taps - 5 Years

Product guarantee terms and conditions can be found on page 42 or on our website.

WEBSITE INFORMATION

Full details of all our products and their technical specifications can be found on our website, www.stjamesengland.com.

We endeavour to regularly keep this updated including details of where to buy our products, copies of our latest brochures and installation details. www.stjamesengland.com

CONTACT & CUSTOMER SERVICE

For all enquiries contact our customer service team:

Sanbra Fyffe Ltd T/A Instantor
Instantor Works
Santry Avenue
Dublin 9
D09K160
Ireland

Tel: **+353 (0)1 842 6255**
sales@instantor.ie

CONTRACT DIVISION

For specific contract and project enquiries
email: info@instantor.ie

STAY CONNECTED

For inspiration and further information follow us online www.stjamesengland.com

follow us:





ST JAMES LIVING



Sanbra Fyffe Ltd T/A Instantor
Instantor Works, Santry Avenue
Dublin 9, D09K160 Ireland

Sales: **+353 (01) 842 6255**
Email: **sales@instantor.ie**

STJAMESENGLAND.COM



10/2023/01