

# Waste Traps & Pan Connectors



## Self-Sealing Waste Traps

The Magna Valve is a non-return valve with an internal membrane. The valve opens to allow water to be discharged, then automatically closes to prevent foul smells and sewer gases from entering the building.

This product is very adaptable, and is suitable for installation under sinks, basins, bidets, baths and urinals.

### Self Sealing Traps



CODE	SF REF	OUTLET	SEAL	BOX QTY	PRICE €
SS2025		1 ¼"	-	10	
SS2026		1 ½"	-	10	

## Multi-Purpose Waste Traps

EASI-FLO traps offer a multi purpose solution to a number of waste outlets including kitchen sinks, baths, basin bidets, urinals, washing machine and dishwashers.

The traps are made from a quality polypropylene and come complete with all accessories and washers. The variations in the traps give different options, and allow you to select the correct trap for the correct job.

### Bottle Traps



CODE	SF REF	OUTLET	SEAL	BOX QTY	PRICE €
SS2065		1 ¼"	75mm	50	
SS2066		1 ½"	75mm	50	

### Telescopic Bottle Traps



CODE	SF REF	OUTLET	SEAL	BOX QTY	PRICE €
SS2067		1 ¼"	75mm	50	
SS2068		1 ½"	75mm	50	

### Tubular Swivel P-Traps



CODE	SF REF	OUTLET	SEAL	BOX QTY	PRICE €
SS2030		1 ¼"	75mm	100	
SS2031		1 ½"	75mm	90	

### Universal Telescopic P-Traps



CODE	SF REF	OUTLET	SEAL	BOX QTY	PRICE €
SS2032		Universal	75mm	50	
SS2033		1 ¼"	75mm	50	
SS2034		1 ½"	75mm	50	

# Multi-Purpose Waste Traps



Shallow Bath Traps

CODE	SF REF	OUTLET	SEAL	BOX QTY	PRICE €
SS2010		1 1/2"	19mm	100	



Washing Machine Trap Including Standpipe

CODE	SF REF	OUTLET	SEAL	BOX QTY	PRICE €
SS2050		1 1/2"	75mm	25	



Shower Trap

CODE	SF REF	OUTLET	SEAL	BOX QTY	PRICE €
SS2020		1 1/2"	50mm	45	

Pedestal Trap with Cleaning Eye



CODE	SF REF	OUTLET	SEAL	BOX QTY	PRICE €
SS2000		1 1/4"	75mm	50	



Double Appliance Trap

CODE	SF REF	OUTLET	SEAL	BOX QTY	PRICE €
SS2055		1 1/2" 2 Spiggot	75mm	50	
SS2054		1 1/2" 1 Spiggot	75mm	50	



S-Traps

CODE	SF REF	OUTLET	SEAL	BOX QTY	PRICE €
SS2039		1 1/4"	75mm	100	
SS2041		1 1/2"	75mm	90	

# Syphons, Flush & Float Valves



The skylo range of float valves is the most complete offering of float valves on the market today.

The universal valve is the only valve in the world that allows plumbers to choose the inlet position. All are WRAS approved and work on low and high pressure systems.

Universal 4 in 1 Float Valve

CODE	SF REF	BOX QTY	PRICE €
SS2100		60	



Side Entry Ball Valve

CODE	SF REF	BOX QTY	PRICE €
SS2111		125	



Dual Flush Height Adjustable Syphon

CODE	SF REF	HEIGHT	BOX QTY	PRICE €
SS2090		7 1/2" - 9 1/2"	27	



Bottom Entry Float Valve (Straight)

CODE	SF REF	BOX QTY	PRICE €
SS2110		70	



3 Part Dual Height Adjustable Syphon

CODE	SF REF	HEIGHT	BOX QTY	PRICE €
SS2091		7 1/2" - 9 1/2"	27	



Button & Handle Dual Flush Valve

The Skylo dual flush valve gives the end user endless possibilities. It has been designed with ease of installation in mind, taking into account all different variations of cisterns. Complete with a unique universal button, taking into consideration all different cistern lid hole diameters. Product is also WRAS approved.

CODE	SF REF	LENGTH	BOX QTY	PRICE €
SS2095		300mm	20	

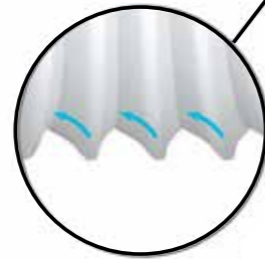
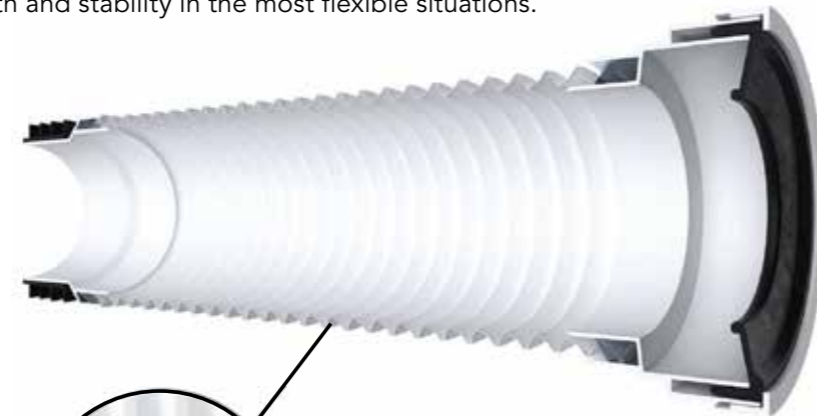


# Flexible Connectors

## SLINKY-FIT Flexible WC Pan Connectors

SLINKY-FIT are one of the most flexible pan connectors on the market and are wire reinforced giving them strength and stability in the most flexible situations.

All with 90-114mm inlet  
All with 90-110mm outlet



All SLINKY-FIT Flexible Pan Connectors have a Smart-Flo design extension tube. The material is specifically shaped so anything passing through hits a smooth point, making every ridge point towards the soil pipe.



Flexi Pan Connector

CODE	SF REF	SIZE	BOX QTY	PRICE €
SS2082		200 - 350mm	15	
SS2080		240 - 500mm	15	
SS2083		300 - 700mm	15	



90° Flexible Pan Connector

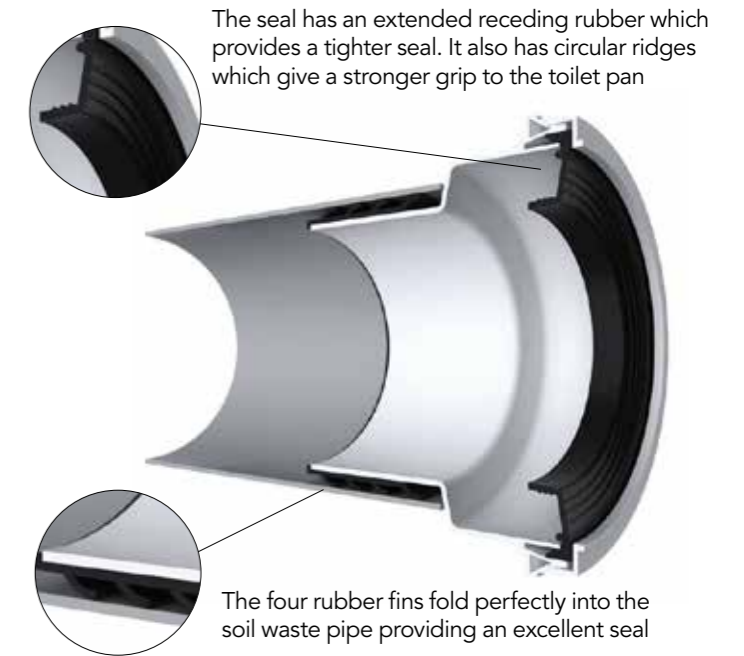
CODE	SF REF	SIZE	BOX QTY	PRICE €
SS2084		300 - 600mm	16	

# Easy-Fit Rigid WC Pan Connectors

Our rigid pan connectors are made from a high quality polypropylene plastic with an excellent rubber sealing washer.

The internal rubber gasket also has a unique reseeding feature meaning the seal with the pan spigot is extremely water tight.

All with 90-114mm inlet  
All with 90-110mm outlet



The seal has an extended receding rubber which provides a tighter seal. It also has circular ridges which give a stronger grip to the toilet pan

The four rubber fins fold perfectly into the soil waste pipe providing an excellent seal

## Straight Pan Connector



CODE	SF REF	SEAL	BOX QTY	PRICE €
SS2070		3"	45	

## Offset Straight Pan Connector



CODE	SF REF	DESCRIPTION	BOX QTY	PRICE €
SS2071		20mm Offset	45	

## 14° Angle Pan Connector



CODE	SF REF	DESCRIPTION	BOX QTY	PRICE €
SS2073		14° Angle	45	

## Swan Neck Pan Connector



CODE	SF REF	SIZE	SEAL	BOX QTY	PRICE €
SS2085		1 1/2"	3"	16	

## 90° Pan Connector (Long)



CODE	SF REF	BOX QTY	PRICE €
SS2077		16	

## Extended Pan Connector



CODE	SF REF	BOX QTY	PRICE €
SS2072		30	

## 90° Pan Connector



CODE	SF REF	BOX QTY	PRICE €
SS2075		25	

## 90° Pan Connector 1 1/4" Adaptor



CODE	SF REF	BOX QTY	PRICE €
SS2076		25	